

# Standard DC Output Modules

## Features

- Rugged construction
- 4000 volts of optical isolation between the field devices and the control logic (transient)

## Description

DC output modules are used for controlling or switching DC loads. Each module provides 4000 volts (transient) of optical isolation between the field devices and the control logic.

Typical uses and applications for DC output modules include switching the following loads:

- DC relays
- DC solenoids
- DC motor starters
- DC lamps or indicators
- PLC logic



ODC5 Module

## Part Numbers

Part	Description
ODC5	DC Output 5–60 VDC, 5 VDC Logic
ODC5A	DC Output 5–200 VDC, 5 VDC Logic
ODC15	DC Output 5–60 VDC, 15 VDC Logic
ODC15A	DC Output 5–200 VDC, 15 VDC Logic
ODC24	DC Output 5–60 VDC, 24 VDC Logic
ODC24A	DC Output 5–200 VDC, 24 VDC Logic

# Standard DC Output Modules

## Specifications

### General Specifications

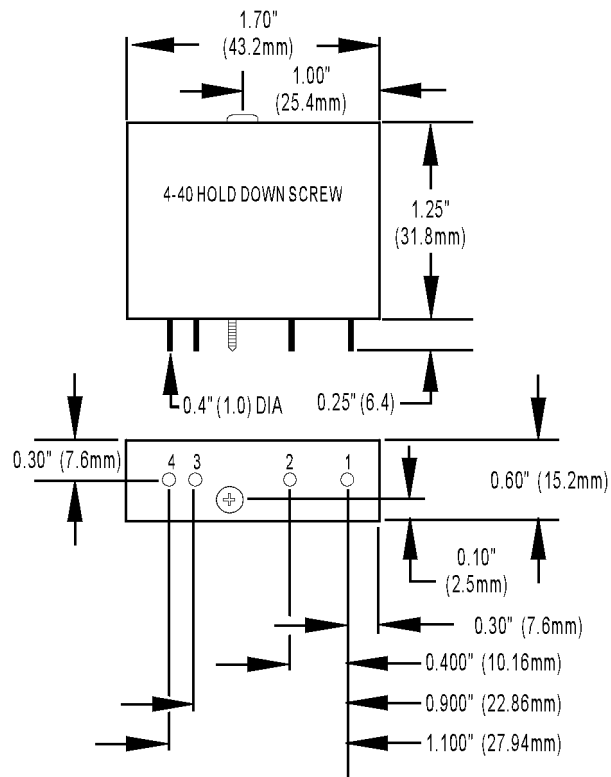
One-second Surge	5 A
Operating Ambient Temperature	-30 °C to 70 °C
Isolation, Input-to-Output (Transient)	4000 volts
Turn-on Time	100 µs
Turn-off Time	750 µs
Output Voltage Drop Maximum Peak	1.6 volts

### Module Specifications

	UNITS	ODC5	ODC5A	ODC15	ODC15A	ODC24	ODC24A
Line voltage - max.	VDC	60	200	60	200	60	200
Operating voltage range	VDC	5-60	5-200	5-60	5-200	5-60	5-200
Current rating @ 45 °C ambient	Amps		1	3	1	3	1
@ 70 °C ambient	Amps	3.2	0.55	2	0.55	2	0.55
UL Motor Load rating	Amps	1.5	1	1.5	1	1.5	1
Off-state leakage @ max. voltage	mA	1	2	1	2	1	2
Logic voltage - nominal	VDC	5	5	15	15	24	24
Logic voltage range (Vcc)	VDC	2.5-8	2.5-8	9-16	9-16	18-32	18-32
Logic pickup voltage	VDC	2.5	2.5	9	9	18	18
Logic dropout voltage	VDC	1	1	1	1	1	1
Logic input current @ nominal logic voltage	mA	12	12	15	15	18	18
Control resistance (R <sub>c</sub> in schematic diagram)	Ohms	220	220	1K	1K	2.2K	2.2K

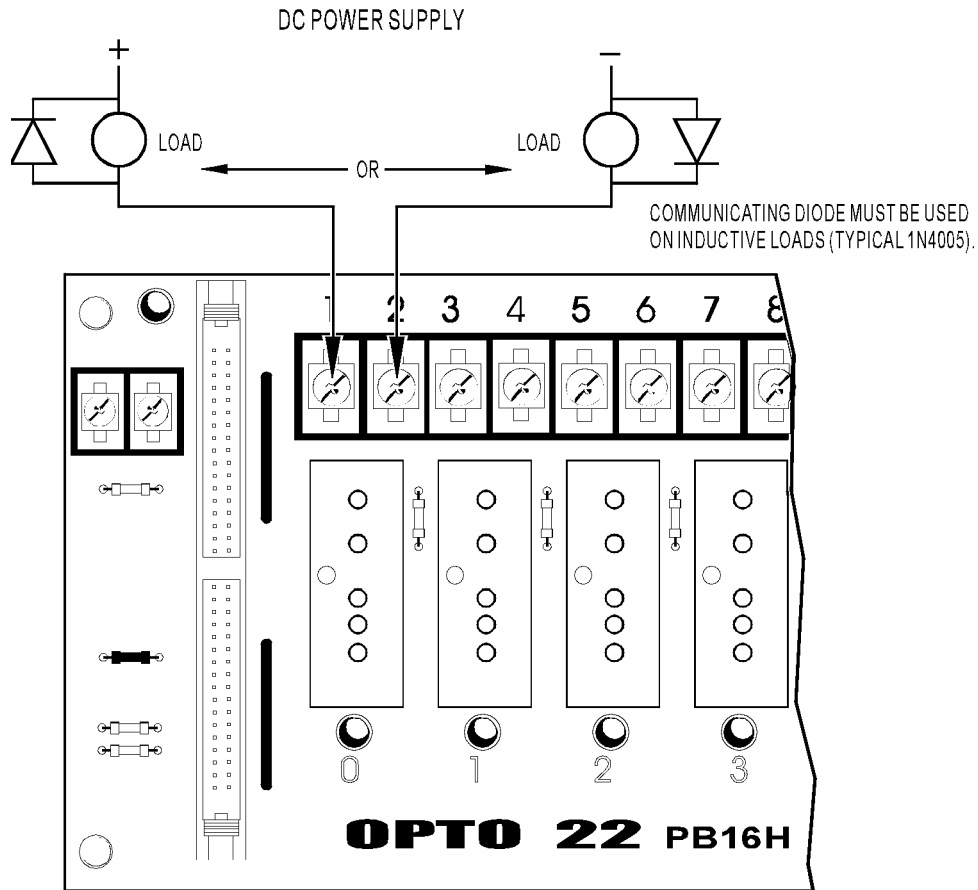
# Standard DC Output Modules

## Dimensions, All Models



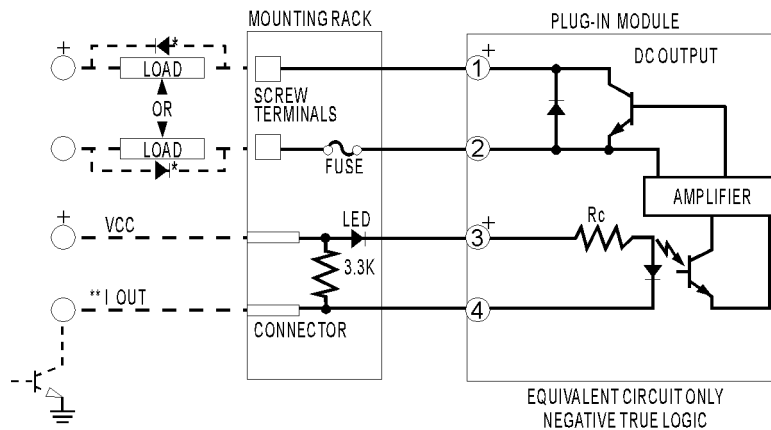
# Standard DC Output Modules

## Connections



## Schematic

### Equivalent Circuit



\* Commutation diode must be used on inductive loads.

\*\* Control line is compatible with totem pole or tri-state output device.