



## Relay module; Relay with 3 make contacts and 1 break contact (3a1r); with extended input voltage and temperature range

Item No.: 286-344/004-000



Relay module; Relay with 3 make contacts and 1 break contact (3a1r); with extended input voltage and temperature range

### Marking

RoHS ✓  
Compliant

### Business data

Supplier	WAGO
Item no.	286-344/004-000
GTIN / EAN	4055143104753
Content	1
Order amount	1
Customer item number	

### Notes

### Technical data

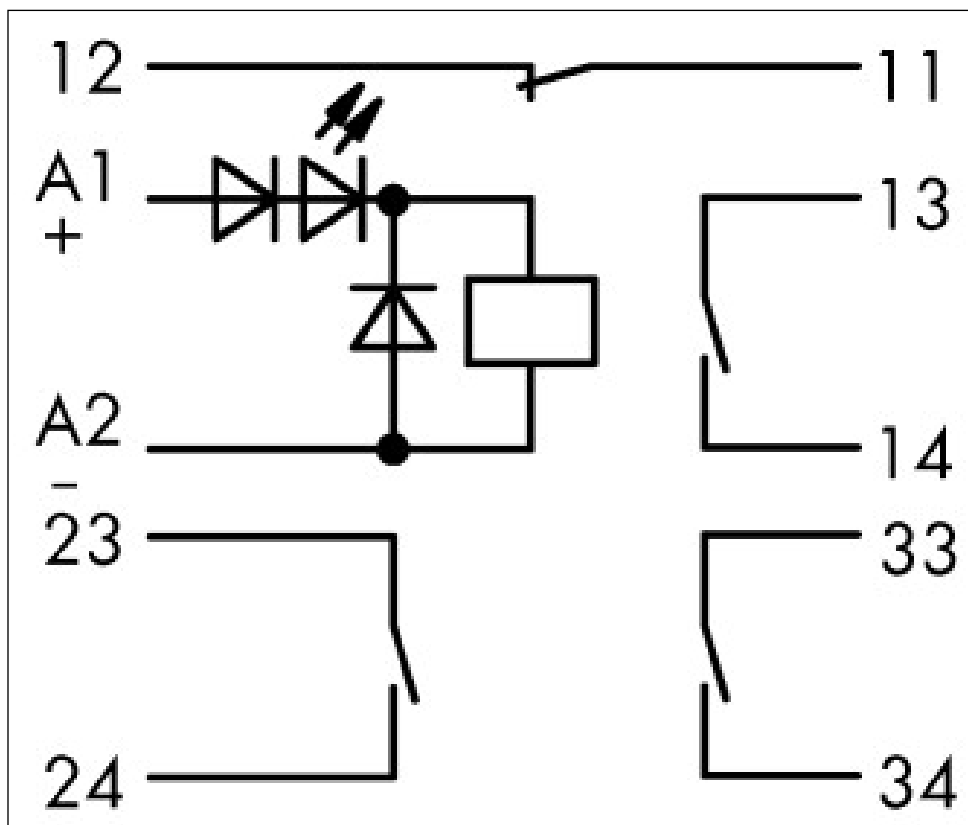
#### Miscellaneous

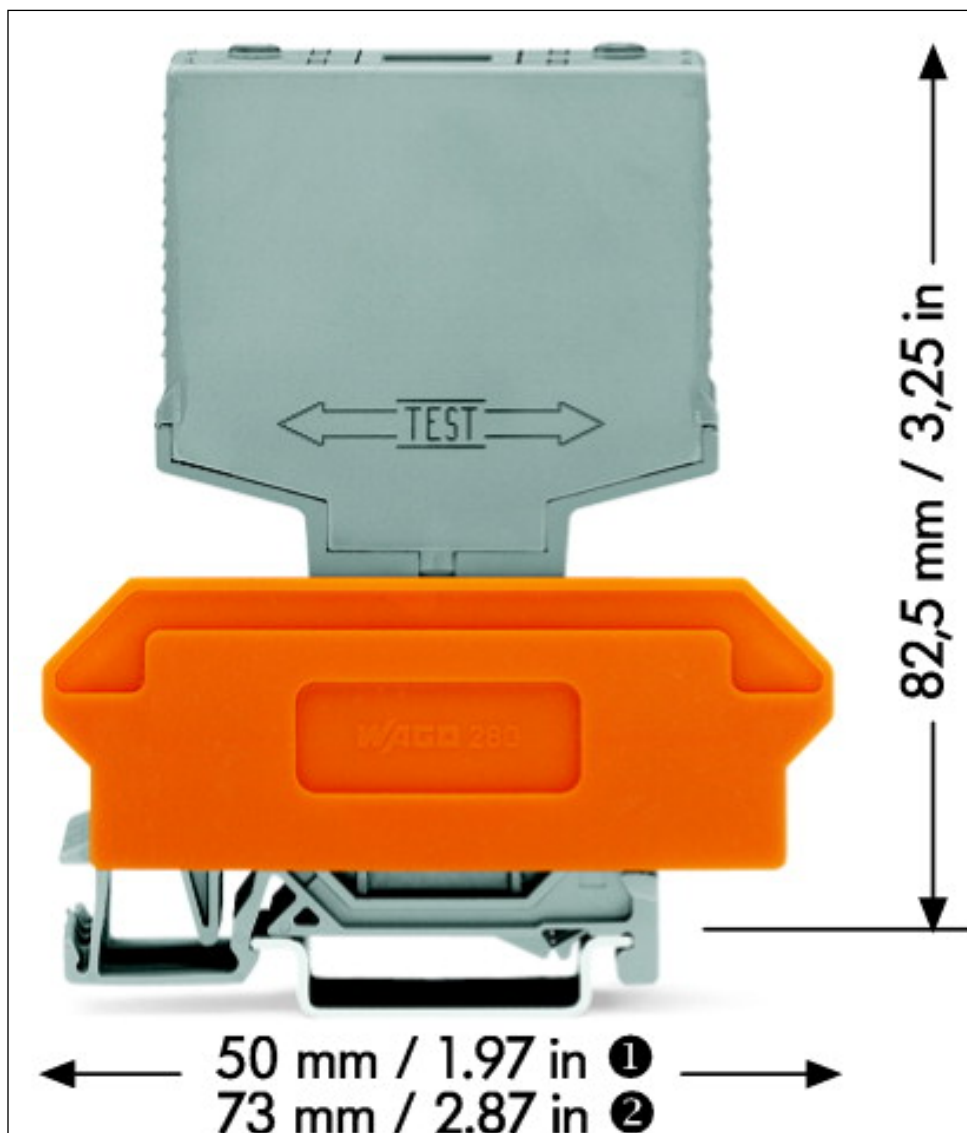
Packaging type	BOX
Width	25 mm / 0.984 Inch
Height from upper-edge of DIN-35 rail	82.5 mm / 3.248 Inch
Type of mounting	Pluggable module for carrier terminal blocks
Color	gray

<b>Technical data</b>	
<i>Fire load [MJ]</i>	<i>15.091 [MJ]</i>
<i>Weight [g]</i>	<i>40.4 [g]</i>
<i>Permissible ambient operating temperature at UN</i>	<i>-25 ... 70 °C</i>
<i>Pollution degree</i>	<i>2</i>
<i>Standards/specifications</i>	<i>EN 60664-1</i>
<i>Housing design</i>	<i>Pluggable module for terminal blocks</i>
<i>Main product function</i>	<i>Relay module</i>
<i>Product type</i>	<i>Relay modules</i>
<i>Number of make contacts</i>	<i>3</i>
<i>Number of break contacts</i>	<i>1</i>
<i>Input voltage (DC) max. [V]</i>	<i>30 [V]</i>
<i>Input voltage (DC) min. [V]</i>	<i>16.8 [V]</i>

Images & drawings







#### Address

WAGO Kontakttechnik GmbH & Co. KG

Hansastr. 27

32423 Minden

Telefon: 0571/887-0

Fax: 0571/887-169

<http://www.wago.com>

© WAGO Kontakttechnik GmbH & Co. KG

Technische Änderungen und Irrtümer vorbehalten.