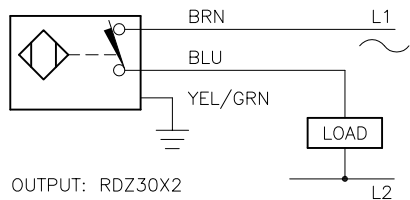


WIRING DIAGRAM

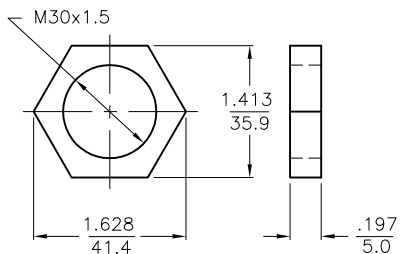
LOCKNUT LN-M30

SPECIFICATIONS

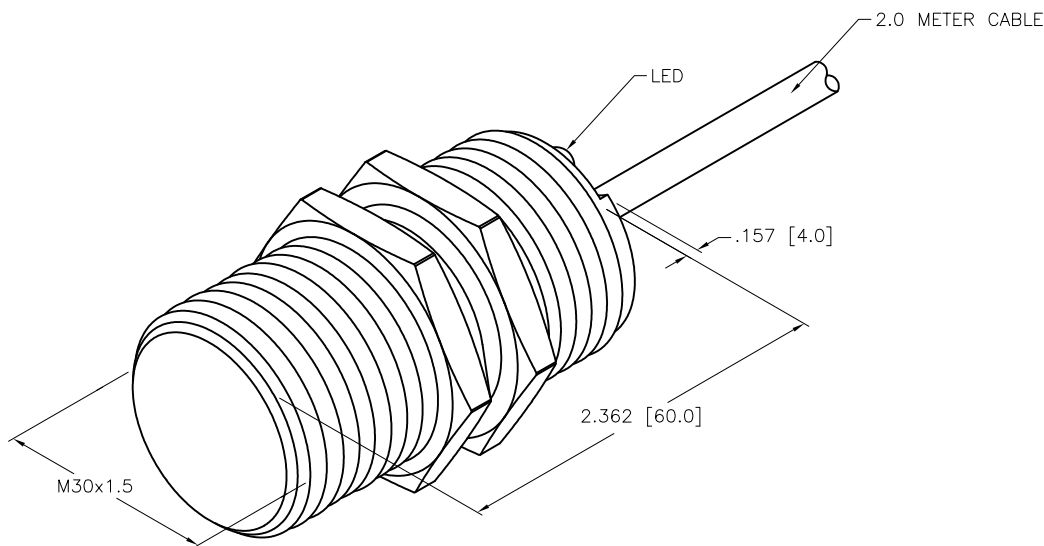


OUTPUT: RDZ30X2

SHORT-CIRCUIT AND OVERLOAD PROTECTED



RATED OPERATING DISTANCE	15mm = .591"
MOUNTING MODE	FLUSH
REPEATABILITY	≤ 2%
HYSTERESIS	3-15%
AMBIENT TEMPERATURE	-25°C to +70°C (-13°F to +158°F)
OPERATING VOLTAGE	20-250 VAC/10-300 VDC
RATED OPERATIONAL CURRENT (AC/DC)	≤400 mA/≤300 mA
MAINS FREQUENCY	50-60 Hz
RESIDUAL CURRENT	≤ 1.7 mA
RATED INSULATION VOLTAGE	≤ 1.5 kV
SURGE CURRENT	≤ 3.0 A (≤ 20 ms Max. 5 Hz)
SHORT-CIRCUIT PROTECTION	YES
MAX. VOLTAGE DROP	≤ 6.0 V
WIRE BREAK PROTECTION	INCORPORATED
REVERSE POLARITY PROTECTION	INCORPORATED
OUTPUT FUNCTION	2-WIRE, NORMALLY CLOSED
SMALLEST OPERATING CURRENT	≥ 3.0 mA
SWITCHING FREQUENCY	≤ 0.02 kHz
HOUSING MATERIAL	BRASS/CHROME-PLATED
ACTIVE FACE MATERIAL	PLASTIC, PA 12
END CAP MATERIAL	PLASTIC, EPTR
CABLE	ø5.2, PVC
VIBRATION RESISTANCE	55 Hz (IN ALL 3 PLANES)
SHOCK RESISTANCE	30 g, 11 ms
PROTECTION DEGREE	IP67
SWITCHING STATUS INDICATION	LED; RED



SOURCE DRAWING - FOR REFERENCE ONLY

RELATED DOCUMENTS		3RD ANGLE PROJECTION		THIS DRAWING IS CONFIDENTIAL AND THE PROPERTY OF TURCK INC. USE OF THIS DOCUMENT WITHOUT WRITTEN PERMISSION IS PROHIBITED.		 High Technology Sensors and Automation Controls		3000 CAMPUS DRIVE MINNEAPOLIS, MN 55441 1-800-544-7769 (763) 553-7300 (763) 553-0708 fax turck.com	
1. 2. 3. 4.				DRFT MJM		DATE 07/28/06		DESCRIPTION	
MATERIAL SEE SPECS		ALL DIMENSIONS DISPLAYED ON THIS DRAWING ARE FOR REFERENCE ONLY		APVD		SCALE 1=1.0		BI15-G30-RDZ30X2	
FINISH SEE SPECS		CONTACT TURCK FOR MORE INFORMATION		UNIT OF MEASUREMENT INCH [MILLIMETER]		IDENTIFICATION NO. T4207290		REV A	
A DRAWING RELEASE		MJM 07/28/06		DO NOT SCALE THIS DRAWING		FILE: T4207290		SHEET 1 OF 1	
REV	DESCRIPTION	BY	DATE	ECO NO.					

A	DRAWING RELEASE	MJM	07/28/06	
REV	DESCRIPTION	BY	DATE	ECO NO.