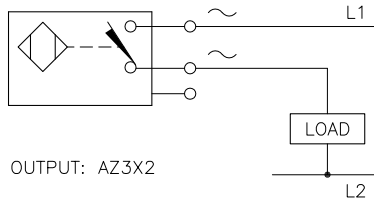


WIRING DIAGRAM

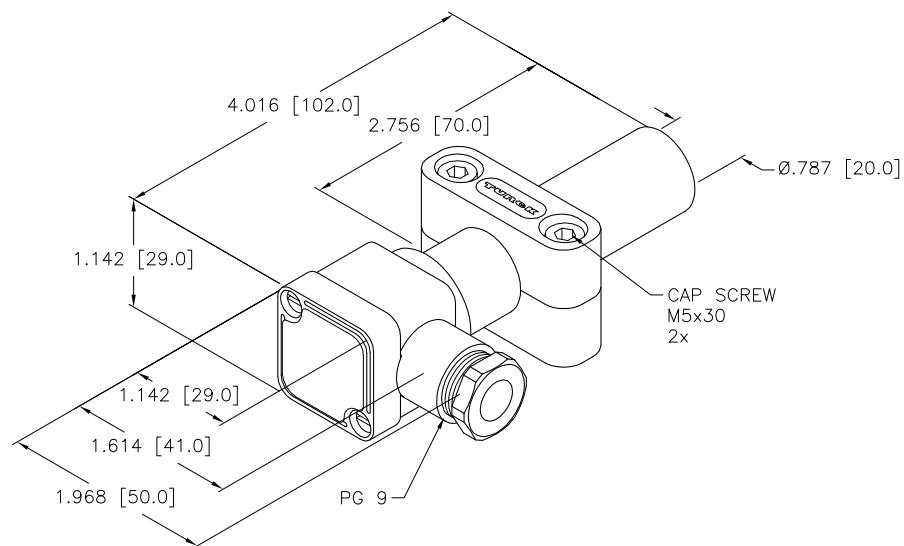


OUTPUT: AZ3X2

WARNING: NO SHORT-CIRCUIT PROTECTION  
ALWAYS WIRE A LOAD IN SERIES WITH THE SENSOR

SPECIFICATIONS

OPERATING VOLTAGE	20-250 VAC, 10-300 VDC
LINE FREQUENCY	40-60 Hz
DIFFERENTIAL TRAVEL (HYSTERESIS)	3-15% (5% TYPICAL)
VOLTAGE DROP ACROSS CONDUCTING SENSOR	<7.0 V at FULL RATED CURRENT
OUTPUT FUNCTION	NORMALLY OPEN 2-WIRE AC/DC
SHORT-CIRCUIT PROTECTED	NO
CONTINUOUS LOAD CURRENT	AC: ≤400 mA; DC: ≤300 mA
OFF-STATE (LEAKAGE) CURRENT	<1.7 mA
MINIMUM LOAD CURRENT	≥5.0 mA
INRUSH CURRENT	≤8.0 A (≤10 ms, 5% DUTY CYCLE)
TIME DELAY BEFORE AVAILABILITY	≤25 ms
POWER-ON EFFECT	Per IEC 947-5-2
TRANSIENT PROTECTION	Per EN 60947-5-2
OPERATING TEMPERATURE	-25°C to +70°C (-13°F to +158°F)
ENCLOSURE	MEETS NEMA 1, 3, 4, 6, 13 AND IEC IP67
SHOCK	30 g, 11 ms
VIBRATION	55 Hz, 1 mm AMPLITUDE (IN ALL 3 PLANES)
LED FUNCTION	GREEN = POWER ON RED: OUTPUT ENERGIZED
RATED OPERATING DISTANCE(Sn)	10 mm = .394" (NOMINAL)
SWITCHING FREQUENCY	20 Hz
REPEATABILITY	≤2% OF RATED OPERATING DISTANCE
EMBEDDABLE (SHIELDED)	NO



NOTES:

MATERIALS:

- BARREL - PA12-GF30 PLASTIC
- TERMINAL CHAMBER - PA12-GF30 PLASTIC
- COVER - PEI PLASTIC
- COVER SCREWS - STAINLESS STEEL
- CABLE GLAND - PA, HOSTAFORM (POM); NBR SEAL
- MOUNTING CLAMP - PBT PLASTIC
- CLAMP SCRES - GALVANIZED ZINC

SOURCE DRAWING - FOR REFERENCE ONLY

RELATED DOCUMENTS		3RD ANGLE PROJECTION		THIS DRAWING IS PROPERTY OF TURCK INC. USE OF THIS DOCUMENT WITHOUT WRITTEN PERMISSION IS PROHIBITED.		 High Technology Sensors and Automation Controls		3000 CAMPUS DRIVE MINNEAPOLIS, MN 55441 1-800-544-7769 (763) 553-7300 (763) 553-0708 fax turck.com	
1. 2. 3. 4.				DRFT GMB DATE 08/31/89		DESCRIPTION		Ni10-K20SK-AZ3X2	
MATERIAL		ALL DIMENSIONS DISPLAYED ON THIS DRAWING ARE FOR REFERENCE ONLY		DSGN GMB SCALE 1=2.0		UNIT OF MEASUREMENT		IDENTIFICATION NO.	
SEE NOTE		CONTACT TURCK FOR MORE INFORMATION		INCH [ MILLIMETER ]		T4359200		REV	
FINISH		NONE BPTC		SCALE THIS DRAWING		FILE: T4359200		B	
B	UPDATE SPEC, DRAWING, NEW FORMAT	IK	05/02/01	T4524					
REV	DESCRIPTION	BY	DATE	ECO NO.					

B	UPDATE SPEC, DRAWING, NEW FORMAT	IK	05/02/01	T4524
REV	DESCRIPTION	BY	DATE	ECO NO.