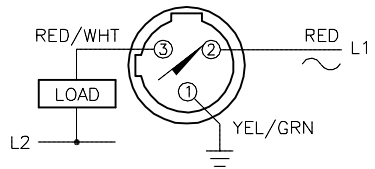
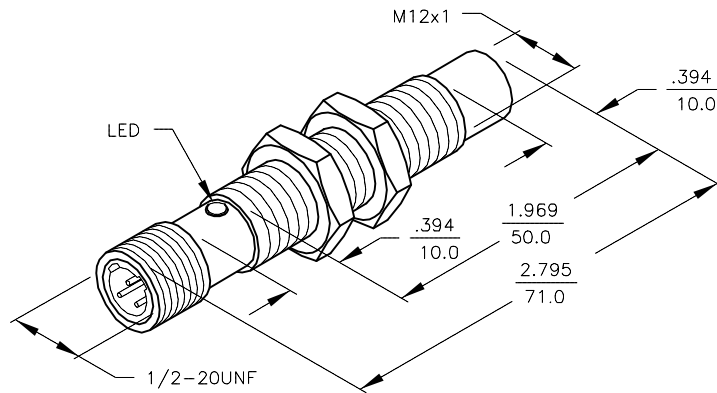
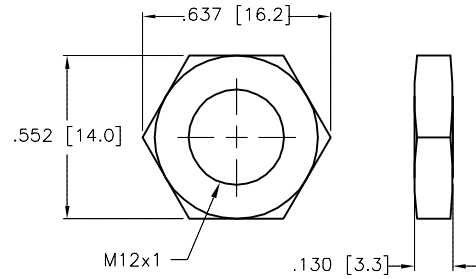


WIRING DIAGRAM



OUTPUT: ADZ32X
SHORT-CIRCUIT AND OVERLOAD PROTECTED

LOCKNUT LN-M12



SPECIFICATIONS

| | |
|---------------------------------------|---|
| OPERATING VOLTAGE | 20-250 VAC/10-300 VDC |
| LINE FREQUENCY | 40-60 Hz |
| DIFFERENTIAL TRAVEL (HYSTERSIS) | 3-15% (5% TYPICAL) |
| VOLTAGE DROP ACROSS CONDUCTING SENSOR | ≤ 6.0 V @ 100 mA |
| OUTPUT FUNCTION -AZ | NORMALLY OPEN 2-WIRE AC SELF CONTAINED |
| SHORT-CIRCUIT PROTECTED | YES |
| CONTINUOUS LOAD CURRENT | ≤ 100 mA |
| OVERLOAD TRIP CURRENT | > 220 mA |
| RESIDUAL CURRENT | ≤ 1.7 mA |
| MINIMUM LOAD CURRENT | ≥ 3.0 mA |
| INRUSH CURRENT | ≤ 1.0 A (≤ 30 ms/5Hz) |
| TIME DELAY BEFORE AVAILABILITY | ≤ 60 ms |
| POWER-ON EFFECT PROTECTION | INCORPORATED |
| PROTECTION AGAINST TRANSIENTS | EN60947-5-2 |
| OPERATING TEMPERATURE | -25°C TO +70°C (-13°F TO +158°F) |
| ENCLOSURE | MEETS NEMA 1,3,4,6,13 AND IEC IP67 |
| SHOCK | 30 g, 11 ms |
| VIBRATION | 55 Hz, 1 mm AMPLITUDE (ALL 3 PLANES) |
| LED FUNCTION | RED: OUTPUT ENERGIZED RED FLASHING: OUTPUT SHORTED |
| SENSING RANGE | 4 mm (.157") NOMINAL |
| SWITCHING FREQUENCY | 20 Hz |
| REPEATABILITY | ≤ 2% OF RATED OPERATING DISTANCE |
| EMBEDDABLE (SHIELDED) | NO |

| | | | | | |
|---|---|--|---------------------------|---|--------------------------------------|
| RELATED DOCUMENTS 1. 2. 3. 4. | 3RD ANGLE PROJECTION | THIS DRAWING IS CONFIDENTIAL AND THE PROPERTY OF TURCK INC. USE OF THIS DOCUMENT WITHOUT WRITTEN PERMISSION IS PROHIBITED. | | TURCK INC <i>High Technology Sensors and Automation Controls</i> 3000 CAMPUS DRIVE MINNEAPOLIS, MN 55441 1-800-544-7769 (763) 553-7300 (763) 553-0708 fax turck.com | |
| | MATERIAL BRASS BARREL | DRFT APVD | CBM SCALE NONE | DATE 10/24/97 | DESCRIPTION NI 4-G12-ADZ32X-B3131 |
| FINISH COPPER, NICKEL, CHROME PLATING | ALL DIMENSIONS DISPLAYED ON THIS DRAWING ARE FOR REFERENCE ONLY | UNIT OF MEASUREMENT INCH [MILLIMETER] | | IDENTIFICATION NO. T4205201 | REV C |
| C UPDATE SWITCHING FREQUENCY SPEC. | RDS 03/20/13 | 41657 | DO NOT SCALE THIS DRAWING | | |
| REV DESCRIPTION | BY | DATE | ECO NO. | FILE: T4205201 | SHEET 1 OF 1 |

| | | | | |
|-----|----------------------------------|-----|----------|---------|
| C | UPDATE SWITCHING FREQUENCY SPEC. | RDS | 03/20/13 | 41657 |
| REV | DESCRIPTION | BY | DATE | ECO NO. |