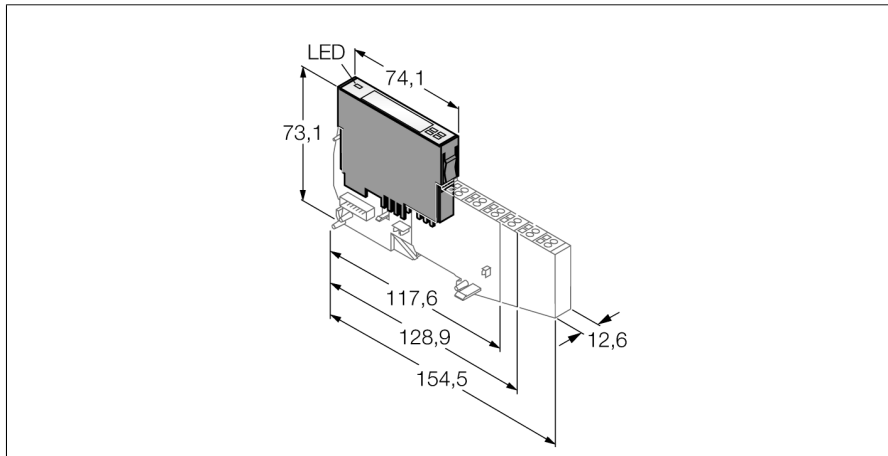


BL20 electronic module
Counter
BL20-1CNT-24VDC



- Fieldbus and connection technology independent
- Protection class IP20
- LEDs indicate status and diagnostic
- Electronics galvanically separated from the field level via optocouplers
- Detection of standard counting signals
- 1 digital input, 24 VDC
- 1 digital output, 24 VDC, 2A
- Counting mode: Continuous, single or periodic count
- Measuring mode: Frequency, rotational speed or period duration measurement

Type	BL20-1CNT-24VDC
Ident-No.	6827031
Ident-No (TUSA)	M6827031
Number of channels	1
Rated voltage from the supply terminal	24 VDC
Supply voltage	24 VDC
Rated current from field supply	≤ 50 mA
Rated current from module bus	≤ 40 mA
Power loss, typical	≤ 1.3 W
Electrical isolation	isolation of electronics and field level via optocouplers
Input type	1 x 24 VDC
Low level signal voltage	-30 to 5 VDC
High level signal voltage	11 to 30 VDC
Low level signal current	-8 mA to 1.5 mA
High level signal current	2 mA to 10 mA
Minimum pulse width (maximum count frequency)	
Filter on	> 25 μs (20 kHz)
Filter off	< 2.5 μs (200 kHz)
Input delay	< 0.2 ms
Connection technology	Screw, tension spring
Output type	1 x 24 VDC, 2 A
Output voltage	2
Output delay	100 ms
Load type	resistive, inductive, lamp load
Switching frequency	≤ 100 Hz
Short-circuit protection	yes
Measuring ranges	
Frequency measurement	0.1 Hz to 200 kHz
Speed measurement	1 r/min to 25000 r/min
Period duration measurement	5 ms to 120 s
Upper count limit	0 to 7FFF FFFF
Lower count limit	8000 0000 to FFFF FFFF
Number of diagnostics bytes	1
Number of parameter bytes	15

Functional principle

BL20 electronic modules are plugged into the purely passive base modules which are used for connection of field devices. Maintenance is significantly facilitated due to separation of the connection level from the module electronics. Furthermore flexibility is enhanced because the base modules provide a choice of tension spring or screw connection technology.

The electronic modules are completely independent of the type of higher level field bus through the use of gateways.

BL20 electronic module
Counter
BL20-1CNT-24VDC

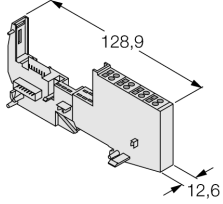


Dimensions (W x L x H)	12.6x74.1x55.4mm
Approvals	CE, cULus, zone2, ClassI,div.2.
Operating temperature	0 to +55 °C
Storage temperature	-25 ... +85 °C
Relative humidity	5 to 95% (internal), Level RH-2, no condensation (at 45 °C storage)
Vibration test	acc. to EN 61131
Shock test	acc. to IEC 68-2-27
Drop and topple	acc. to IEC 68-2-31 and free fall to IEC 68-2-32
Electro-magnetic compatibility	acc. to EN 50,082-2
Protection class	IP20

BL20 electronic module
Counter
BL20-1CNT-24VDC



Compatible base modules

Dimension drawing	Type	Pin configuration
	<p>BL20-S4T-SBBS 6827046 tension spring connection</p> <p>BL20-S4S-SBBS 6827047 screw connection</p>	<p>Wiring diagram</p> 