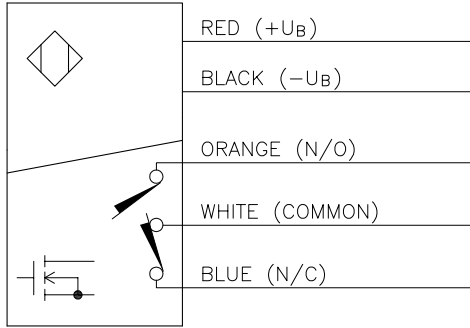


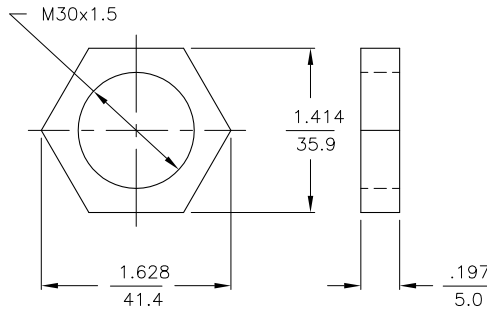
WIRING DIAGRAMS



OUTPUT: VM6

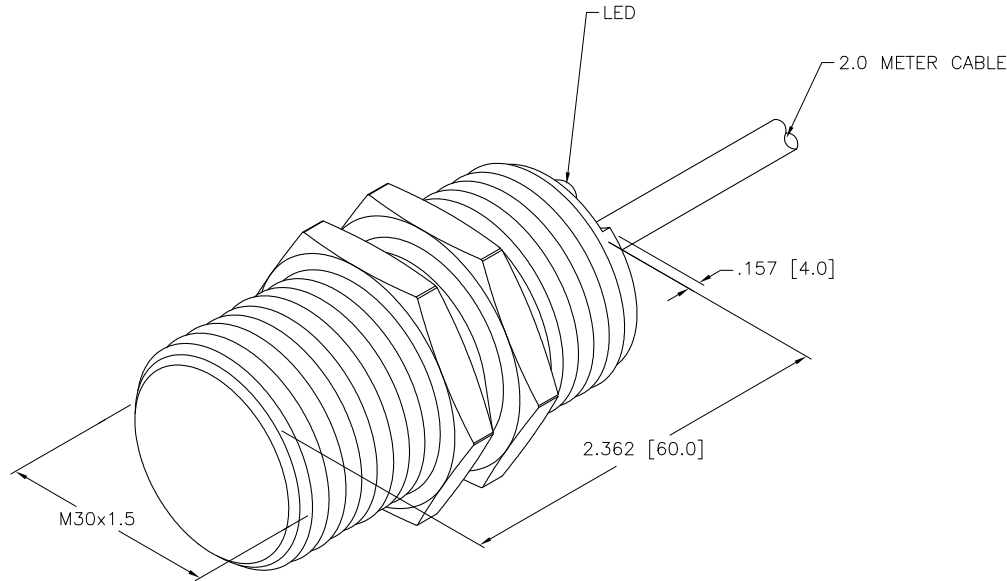
WARNING: NO SHORT-CIRCUIT PROTECTION

LOCKNUT LN-M30



SPECIFICATIONS

RATED OPERATING DISTANCE	12mm = .472"
MOUNTING MODE	FLUSH
MIN. REPEAT ACCURACY	≤ 2%
TEMPERATURE DRIFT	≤ ±10% ≤ ±20%, ≤ -25°C
HYSTERESIS	3-15%
OPERATING TEMPERATURE	-40°C to +70°C (-40°F to +158°F)
RATED OPERATIONAL VOLTAGE	10-30 VDC
RESIDUAL RIPPLE	≤ 10%
RATED OPERATIONAL CURRENT (AC/DC)	≤ 6000 mA (AC)/≤ 6000 mA (DC)
RATED OUTPUT VOLTAGE (AC/DC)	≤ 28 VAC/≤ 30 VDC
OUTPUT LOAD	≤ 180 W
RESIDUAL CURRENT	≤ 0.1 mA
RATED INSULATION VOLTAGE	≤ 0.5 kV
SURGE CURRENT	≤ 8.0 A (≤ 10.0 ms MAX. 5 Hz)
SHORT-CIRCUIT PROTECTION	NO
MAX. VOLTAGE DROP	≤ 1.8 V
WIRE BREAKAGE PROTECTION	INCORPORATED
REVERSE POLARITY PROTECTION	INCORPORATED
OUTPUT FUNCTION	5-WIRE, COMPLIMENTARY, MOSFET OUTPUT
SMALLEST OPERATING CURRENT	≥ 40 mA
MAX. SWITCHING FREQUENCY	≤ 0.02 kHz
HOUSING MATERIAL	METAL, BRASS/CHROME-PLATED
ACTIVE FACE MATERIAL	PLASTIC, PA12-GF30
END CAP MATERIAL	PLASTIC, TROGAMID T
CABLE	∅7.2, PVC, 5x18 AWG
VIBRATION RESISTANCE	55 Hz, 1 mm AMPLITUDE (IN ALL 3 PLANES)
SHOCK RESISTANCE	30 g, 11 ms
DEGREE OF PROTECTION	IP67
SWITCHING STATUS INDICATION	LED, YELLOW



SOURCE DRAWING - FOR REFERENCE ONLY

NOTES:

1. "/S97" DESIGNATES LOW OPERATING TEMPERATURE RATING OF -40°C.

RELATED DOCUMENTS 1. 2. 3. 4.	3RD ANGLE PROJECTION 	THIS DRAWING IS PROPERTY OF TURCK INC. USE OF THIS DOCUMENT WITHOUT WRITTEN PERMISSION IS PROHIBITED.		TURCK INC High Technology Sensors and Automation Controls 3000 CAMPUS DRIVE MINNEAPOLIS, MN 55441 1-800-544-7769 (763) 553-7300 (763) 553-0708 fax turck.com	
	MATERIAL	DRFT RDS	DATE 09/18/08	DESCRIPTION BI12-G30-VM6/37X/S97	
FINISH	ALL DIMENSIONS DISPLAYED ON THIS DRAWING ARE FOR REFERENCE ONLY	DSGN	SCALE 1=1.0	IDENTIFICATION NO. T1711290	
CONTACT TURCK FOR MORE INFORMATION		UNIT OF MEASUREMENT INCH [MILLIMETER]		REV A	
DO NOT SCALE THIS DRAWING		FILE: T1711290		SHEET 1 OF 1	

A	DRAWING RELEASE	RDS	08/07/09	
REV	DESCRIPTION	BY	DATE	ECO NO.