

### Features

- Wide range of pressure ratings, sizes, and resilient materials provide long service life and low internal leakage
- High Flow Valves for liquid, corrosive, and air/inert gas service
- Industrial applications include:
  - Car wash
  - Laundry equipment
  - Air compressors
  - Industrial water control
  - Pumps

### Construction

Valve Parts in Contact with Fluids		
Body	Brass	304 Stainless Steel
Seals and Discs	NBR or PTFE	
Disc-Holder	PA	
Core Tube	305 Stainless Steel	
Core and Plugnut	430F Stainless Steel	
Springs	302 Stainless Steel	
Shading Coil	Copper	Silver

### Electrical

Standard Coil and Class of Insulation	Watt Rating and Power Consumption				Spare Coil Part Number			
	DC Watts	AC			General Purpose		Explosionproof	
		Watts	VA Holding	VA Inrush	AC	DC	AC	DC
F	-	6.1	16	40	238210	-	238214	-
F	11.6	10.1	25	70	238610	238710	238614	238714
F	16.8	16.1	35	180	272610	97617	272614	97617
F	-	17.1	40	93	238610	-	238614	-
F	-	20	43	240	99257	-	99257	-
F	-	20.1	48	240	272610	-	272614	-
H	30.6	-	-	-	-	74073	-	74073
H	40.6	-	-	-	-	238910	-	238914

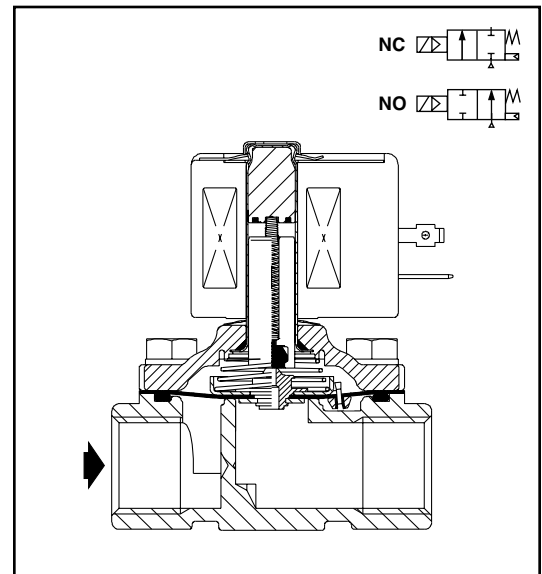
**Standard Voltages:** 24, 120, 240, 480 volts AC, 60 Hz (or 110, 220 volts AC, 50 Hz). 6, 12, 24, 120, 240 volts DC. Must be specified when ordering.  
Other voltages available when required.

### Solenoid Enclosures

**Standard:** RedHat II - Watertight, Types 1, 2, 3, 3S, 4, and 4X; RedHat - Type I.

**Optional:** RedHat II - Explosionproof and Watertight, Types 3, 3S, 4, 4X, 6, 6P, 7, and 9; Red-Hat - Explosionproof and Watertight, Types 3, 4, 4X, 7, and 9.

(To order, add prefix "EF" to catalog number, except Catalog Numbers 8210B057, 8210B058, and 8210B059, which are not available with Explosionproof enclosures.)  
See *Optional Features Section* for other available options.



### Nominal Ambient Temp. Ranges

RedHat II/  
RedHat AC: 32°F to 125°F (0°C to 52°C)

RedHat II DC: 32°F to 104°F (0°C to 40°C)  
RedHat DC: 32°F to 77°F (0°C to 25°C)  
(104°F/40°C occasionally)

8210G227 AC: 32°F to 130°F (0°C to 54°C)  
DC: 32°F to 90°F (0°C to 32°C)

Refer to *Engineering Section* for details.

### Approvals

UL listed as indicated. CSA certified.  
RedHat II meets applicable CE directives.  
Refer to *Engineering Section* for details.

## Specifications (English units)

Pipe Size (in)	Orifice Size (in)	Cv Flow Factor	Operating Pressure Differential (psi)							Max. Fluid Temp. °F		Brass Body			Stainless Steel Body			Watt Rating/Class of Insulation ⑦	
			Min.	Max. AC			Max. DC			AC	DC	Catalog Number	Const. Ref. ④	UL ⑤ Listing	Catalog Number	Const. Ref. ④	UL ⑤ Listing	AC	DC
				Air-Inert Gas	Water ①	Light Oil @ 300 SSU	Air-Inert Gas	Water ①	Light Oil @ 300 SSU										
<b>NORMALLY CLOSED (Closed when de-energized), NBR or PTFE ② Seating</b>																			
3/8	3/8	1.5	①	150	125	-	40	40	-	180	150	8210G073 ③	1P	●	8210G036 ③	1P	●	6.1/F	11.6/F
3/8	5/8	3	0	150	150	-	40	40	-	180	150	8210G093	5D	○	-	-	-	10.1/F	11.6/F
3/8	5/8	3	5	200	150	135	125	100	100	180	150	8210G001	6D	○	-	-	-	6.1/F	11.6/F
3/8	5/8	3	5	300	300	300	-	-	-	175	-	8210G006	5D	○	-	-	-	17.1/F	-
1/2	7/16	2.2	①	150	125	-	40	40	-	180	150	8210G015 ③	2P	●	8210G037 ③	2P	●	6.1/F	11.6/F
1/2	5/8	4	0	150	150	-	40	40	-	180	150	8210G094	5D	○	-	-	-	10.1/F	11.6/F
1/2	5/8	4	0	150	150	125	40	40	-	175	150	-	-	-	8210G087	7D	●	17.1/F	11.6/F
1/2	5/8	4	5	200	150	135	125	100	100	180	150	8210G002	6D	○	-	-	-	6.1/F	11.6/F
1/2	5/8	4	5	300	300	300	-	-	-	175	-	8210G007	5D	○	-	-	-	17.1/F	-
1/2	3/4	4	5	-	300	-	-	300	-	130	90	8210G227	5D	○ †	-	-	-	17.1/F	40.6/H
3/4	5/8	4.5	0	150	150	125	40	40	-	175	150	-	-	-	8210G088	7D	●	17.1/F	11.6/F
3/4	3/4	5	5	125	125	125	100	90	75	180	150	8210G009	9D	○	-	-	-	6.1/F	11.6/F
3/4	3/4	5	0	150	150	-	40	40	-	180	150	8210G095	8D	○	-	-	-	10.1/F	11.6/F
3/4	3/4	6.5	5	250	150	100	125	125	125	180	150	8210G003	11D	○	-	-	-	6.1/F	11.6/F
3/4	3/4	6	0	-	-	-	200	180	180	-	77	8210B026 ② ‡	10P	-	-	-	-	-	30.6/H
3/4	3/4	6	0	350	300	200	-	-	-	200	-	8210G026 ② ‡	40P	●	-	-	-	16.1F	-
1	1	13	0	-	-	-	100	100	80	-	77	8210B054 ‡	31D	-	8210D089	15D	-	-	30.6/H
1	1	13	0	150	125	125	-	-	-	180	-	8210G054	41D	●	8210G089	45D	●	16.1/F	-
1	1	13	5	150	150	100	125	125	125	180	150	8210G004	12D	○	-	-	-	6.1/F	11.6/F
1	1	13.5	0	300	225	115	-	-	-	200	-	8210G027 ‡	42P	●	-	-	-	20.1/F	-
1	1	13.5	10	300	300	300	-	-	-	175	-	8210G078 ②	13P	-	-	-	-	17.1/F	-
1 1/4	1 1/8	15	0	-	-	-	100	100	80	-	77	8210B055 ‡	32D	-	-	-	-	-	30.6/H
1 1/4	1 1/8	15	0	150	125	125	-	-	-	180	-	8210G055	43D	●	-	-	-	16.1/F	-
1 1/4	1 1/8	15	5	150	150	100	125	125	125	180	150	8210G008	16D	○	-	-	-	6.1/F	11.6/F
1 1/2	1 1/4	22.5	0	-	-	-	100	100	80	-	77	8210B056 ‡	33D	-	-	-	-	-	30.6/H
1 1/2	1 1/4	22.5	0	150	125	125	-	-	-	180	-	8210G056	44D	●	-	-	-	16.1/F	-
1 1/2	1 1/4	22.5	5	150	150	100	125	125	125	180	150	8210G022	18D	●	-	-	-	6.1/F	11.6/F
2	1 3/4	43	5	150	125	90	50	50	50	180	150	8210G100	20P	●	-	-	-	6.1/F	11.6/F
2 1/2	1 3/4	45	5	150	125	90	50	50	50	180	150	8210G101	21P	●	-	-	-	6.1/F	11.6/F
<b>NORMALLY OPEN (Open when de-energized), NBR Seating (PA Disc-Holder, except as noted)</b>																			
3/8	5/8	3	0	150	150	125	125	125	80	180	150	8210G033	23D	●	-	-	-	10.1/F	11.6/F
3/8	5/8	3	5	250	200	200	250	200	200	180	180	8210G011 ① ⑧	39D	●	-	-	-	10.1/F	11.6/F
1/2	5/8	4	0	150	150	125	125	125	80	180	150	8210G034	23D	●	-	-	-	10.1/F	11.6/F
1/2	5/8	3	0	150	150	100	125	125	80	180	150	-	-	-	8210G030	37D	●	10.1/F	11.6/F
1/2	5/8	4	5	250	200	200	250	200	200	180	180	8210G012 ① ⑧	39D	●	-	-	-	10.1/F	11.6/F
3/4	3/4	5.5	0	150	150	125	125	125	80	180	150	8210G035	25D	●	-	-	-	10.1/F	11.6/F
3/4	5/8	3	0	150	150	100	125	125	80	180	150	-	-	-	8210G038	38D	●	10.1/F	11.6/F
3/4	3/4	6.5	5	-	-	-	250	200	200	-	180	8210C013	24D	●	-	-	-	-	16.8/F
3/4	3/4	6.5	5	250	200	200	-	-	-	180	-	8210G013	46D	●	-	-	-	16.1/F	-
1	1	13	0	125	125	125	-	-	-	180	-	8210B057 ① ⑩	34D	●	-	-	-	20/F	-
1	1	13	5	-	-	-	125	125	125	-	180	8210D014	26D	●	-	-	-	-	16.8/F
1	1	13	5	150	150	125	-	-	-	180	-	8210G014	47D	●	-	-	-	16.1/F	-
1 1/4	1 1/8	15	0	125	125	125	-	-	-	180	-	8210B058 ① ⑩	35D	●	-	-	-	20/F	-
1 1/4	1 1/8	15	5	-	-	-	125	125	125	-	180	8210D018	28D	●	-	-	-	-	16.8/F
1 1/4	1 1/8	15	5	150	150	125	-	-	-	180	-	8210G018	48D	●	-	-	-	16.1/F	-
1 1/2	1 1/4	22.5	0	125	125	125	-	-	-	180	-	8210B059 ① ⑩	36D	●	-	-	-	20/F	-
1 1/2	1 1/4	22.5	5	-	-	-	125	125	125	-	180	8210D032	29D	●	-	-	-	-	16.8/F
1 1/2	1 1/4	22.5	5	150	150	125	-	-	-	180	-	8210G032	49D	●	-	-	-	16.1/F	-
2	1 3/4	43	5	-	-	-	125	125	125	-	150	8210 103	30P	●	-	-	-	-	16.8/F
2	1 3/4	43	5	125	125	125	-	-	-	180	-	8210G103	50P	●	-	-	-	16.1/F	-
2 1/2	1 3/4	45	5	-	-	-	125	125	125	-	150	8210 104	27P	●	-	-	-	-	16.8/F
2 1/2	1 3/4	45	5	125	125	125	-	-	-	180	-	8210G104	51P	●	-	-	-	16.1/F	-

① 5 psi on Air; 1 psi on Water.  
 ② Valve provided with PTFE main disc.  
 ③ Valve includes ULtem (G.E. trademark) piston.  
 ④ Letter "D" denotes diaphragm construction; "P" denotes piston construction.  
 ⑤ ○ Safety Shutoff Valve; ● General Purpose Valve.  
 Refer to Engineering Section (Approvals) for details.

⑥ Valves not available with Explosionproof enclosures.  
 ⑦ On 50 hertz service, the watt rating for the 6.1/F solenoid is 8.1 watts.  
 ⑧ AC construction also has PA seating.  
 ⑨ No disc-holder.  
 ⑩ Stainless steel disc-holder.  
 ⑪ Water rating, CSA certified up to 232 psi.

† UL listed for fire protection systems per UL429A.  
 ‡ Must have solenoid mounted vertical and upright.

## Specifications (Metric units)

Pipe Size (in)	Orifice Size (mm)	Kv Flow Factor (m <sup>3</sup> /hr)	Operating Pressure Differential (bar)									Max. Fluid Temp. °C		Brass Body			Stainless Steel Body			Watt Rating/ Class of Coil Insulation ⑦	
			Min.	Max. AC			Max. DC			AC	DC	Catalog Number	Const. Ref. ④	UL ⑤ Listing	Catalog Number	Const. Ref. ④	UL ⑤ Listing	AC	DC		
				Air-Inert Gas	Water ⑩	Light Oil @ 300 SSU	Air-Inert Gas	Water ⑩	Light Oil @ 300 SSU												
<b>NORMALLY CLOSED (Closed when de-energized), NBR or PTFE ② Seating</b>																					
3/8	10	1.3	①	10	9	-	3	3	-	82	65	8210G073 ③	1P	●	8210G036 ③	1P	●	6.1/F	11.6/F		
3/8	16	2.6	0	10	10	-	3	3	-	82	65	8210G093	5D	○	-	-	-	10.1/F	11.6/F		
3/8	16	2.6	0.3	14	10	9	9	7	7	82	65	8210G001	6D	○	-	-	-	6.1/F	11.6/F		
3/8	16	2.6	0.3	21	21	21	-	-	-	79	-	8210G006	5D	○	-	-	-	17.1/F	-		
1/2	11	1.9	①	10	9	-	3	3	-	82	65	8210G015 ③	2P	●	8210G037 ③	2P	●	6.1/F	11.6/F		
1/2	16	3.4	0	10	10	-	3	3	-	82	65	8210G094	5D	○	-	-	-	10.1/F	11.6/F		
1/2	16	3.4	0	10	10	9	3	3	-	79	65	-	-	-	8210G087	7D	●	17.1/F	11.6/F		
1/2	16	3.4	0.3	14	10	9	9	7	7	82	65	8210G002	6D	○	-	-	-	6.1/F	11.6/F		
1/2	16	3.4	0.3	21	21	21	-	-	-	79	-	8210G007	5D	○	-	-	-	17.1/F	-		
1/2	19	3.4	0.3	-	21	-	-	21	-	54	32	8210G227	5D	○ †	-	-	-	17.1/F	40.6H		
3/4	16	3.9	0	10	10	9	3	3	-	79	65	-	-	-	8210G088	7D	●	17.1/F	11.6/F		
3/4	19	4.3	0.3	9	9	9	7	6	5	82	65	8210G009	9D	○	-	-	-	6.1/F	11.6/F		
3/4	19	4.3	0	10	10	-	3	3	-	82	65	8210G095	8D	○	-	-	-	10.1/F	11.6/F		
3/4	19	5.6	0.3	17	10	7	9	9	9	82	65	8210G003	11D	○	-	-	-	6.1/F	11.6/F		
3/4	19	5.1	0	-	-	-	14	12	12	-	25	8210B026 ② ‡	10P	-	-	-	-	-	30.6/H		
3/4	19	5.1	0	24	21	14	-	-	-	93	-	8210G026 ② ‡	40P	●	-	-	-	-	16.1F	-	
1	25	11	0	-	-	-	7	7	6	-	25	8210B054 ‡	31D	-	8210D089	15D	-	-	-	30.6/H	
1	25	11	0	10	9	9	-	-	-	82	-	8210G054	41D	●	8210G089	45D	●	16.1/F	-		
1	25	11	0.3	10	10	7	9	9	9	82	65	8210G004	12D	○	-	-	-	6.1/F	11.6/F		
1	25	11.5	0	21	16	8	-	-	-	93	-	8210G027 ‡	42P	●	-	-	-	-	20.1/F	-	
1	25	11.5	0.7	21	21	21	-	-	-	79	-	8210G078 ②	13P	-	-	-	-	-	17.1/F	-	
1 1/4	29	13	0	-	-	-	7	7	6	-	25	8210B055 ‡	32D	-	-	-	-	-	-	30.6/H	
1 1/4	29	13	0	10	9	9	-	-	-	82	-	8210G055	43D	●	-	-	-	-	-	16.1/F	-
1 1/4	29	13	0.3	10	10	7	9	9	9	82	65	8210G008	16D	○	-	-	-	-	6.1/F	11.6/F	
1 1/2	32	19.5	0	-	-	-	7	7	6	-	25	8210B056 ‡	33D	-	-	-	-	-	-	30.6/H	
1 1/2	32	19.5	0	10	9	9	-	-	-	82	-	8210G056	44D	●	-	-	-	-	-	16.1/F	-
1 1/2	32	19.5	0.3	10	10	7	9	9	9	82	65	8210G022	18D	●	-	-	-	-	6.1/F	11.6/F	
2	44	37	0.3	10	9	6	3	3	3	82	65	8210G100	20P	●	-	-	-	-	6.1/F	11.6/F	
2 1/2	44	39	0.3	10	9	6	3	3	3	82	65	8210G101	21P	●	-	-	-	-	6.1/F	11.6/F	
<b>NORMALLY OPEN (Open when de-energized), NBR Seating (PA Disc-Holder, except as noted)</b>																					
3/8	16	2.6	0.0	10	10	9	9	9	6	82	65	8210G033	23D	●	-	-	-	-	10.1/F	11.6/F	
3/8	16	2.6	0.3	17	14	14	17	14	14	82	82	8210G011 ⑧ ⑨	39D	●	-	-	-	-	10.1/F	11.6/F	
1/2	16	3.4	0	10	10	9	9	9	6	82	65	8210G034	23D	●	-	-	-	-	10.1/F	11.6/F	
1/2	16	2.6	0	10	10	7	9	9	6	82	65	-	-	-	8210G030	37D	●	10.1/F	11.6/F		
1/2	16	3.4	0.3	17	14	14	17	14	14	82	82	8210G012 ⑧ ⑨	39D	●	-	-	-	-	10.1/F	11.6/F	
3/4	19	4.7	0	10	10	9	9	9	6	82	65	8210G035	25D	●	-	-	-	-	10.1/F	11.6/F	
3/4	16	2.6	0	10	10	7	9	9	6	82	65	-	-	-	8210G038	38D	●	10.1/F	11.6/F		
3/4	19	5.6	0.3	-	-	-	17	14	14	-	82	8210C013	24D	●	-	-	-	-	16.8/F	-	
3/4	19	5.6	0.3	17	14	14	-	-	-	82	-	8210G013	46D	●	-	-	-	-	16.1/F	-	
1	25	11	0	9	9	9	-	-	-	82	-	8210B057 ⑥ ⑩	34D	●	-	-	-	-	20/F	-	
1	25	11	0.3	-	-	-	9	9	9	-	82	8210D014	26D	●	-	-	-	-	-	16.8/F	-
1	25	11	0.3	10	10	9	-	-	-	82	-	8210G014	47D	●	-	-	-	-	16.1/F	-	
1 1/4	29	13	0	9	9	9	-	-	-	82	-	8210B058 ⑥ ⑩	35D	●	-	-	-	-	20/F	-	
1 1/4	29	13	0.3	-	-	-	9	9	9	-	82	8210D018	28D	●	-	-	-	-	-	16.8/F	-
1 1/4	29	13	0.3	10	10	9	-	-	-	82	-	8210G018	48D	●	-	-	-	-	16.1/F	-	
1 1/2	32	19.5	0	9	9	9	-	-	-	82	-	8210B059 ⑥ ⑩	36D	●	-	-	-	-	20/F	-	
1 1/2	32	19.5	0.3	-	-	-	9	9	9	-	82	8210D032	29D	●	-	-	-	-	-	16.8/F	-
1 1/2	32	19.5	0.3	10	10	9	-	-	-	82	-	8210G032	49D	●	-	-	-	-	16.1/F	-	
2	44	37	0.3	-	-	-	9	9	9	-	65	8210 103	30P	●	-	-	-	-	-	16.8/F	-
2	44	37	0.3	9	9	9	-	-	-	82	-	8210G103	50P	●	-	-	-	-	16.1/F	-	
2 1/2	44	39	0.3	-	-	-	9	9	9	-	65	8210 104	27P	●	-	-	-	-	-	16.8/F	-
2 1/2	44	39	0.3	9	9	9	-	-	-	82	-	8210G104	51P	●	-	-	-	-	16.1/F	-	

① 0.3 bar on Air; 0.0 bar on Water.  
 ② Valve provided with PTFE main disc.  
 ③ Valve includes Ultem (G.E. trademark) piston.  
 ④ Letter "D" denotes diaphragm construction; "P" denotes piston construction.  
 ⑤ ○ Safety Shutoff Valve; ● General Purpose Valve.  
 Refer to Engineering Section (Approvals) for details.

⑥ Valves not available with Explosionproof enclosures.  
 ⑦ On 50 hertz service, the watt rating for the 6.1/F solenoid is 8.1 watts.  
 ⑧ AC construction also has PA seating.  
 ⑨ No disc-holder.  
 ⑩ Stainless steel disc-holder.  
 ⑪ Water rating, CSA certified up to 16 bar.

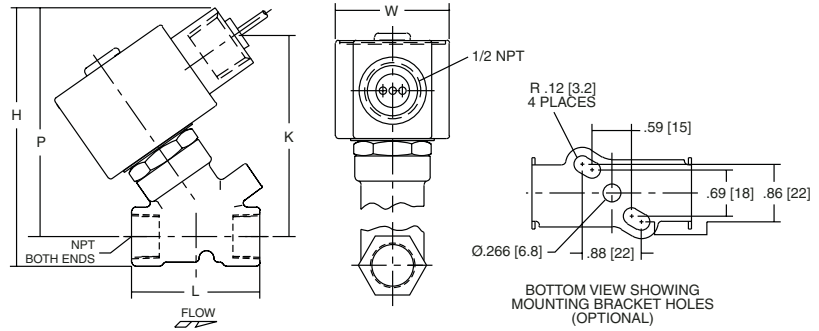
† UL listed for fire protection systems per UL429A.  
 ‡ Must have solenoid mounted vertical and upright.

Dimensions: inches (mm)

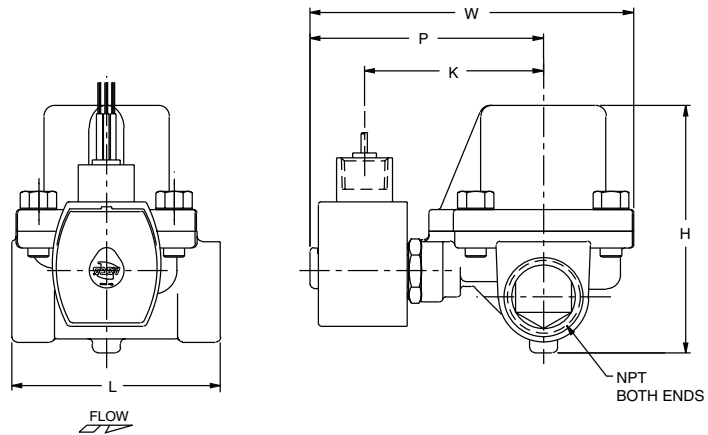
Const. Ref.		H	K	L	P	W
1*	in	3.85	3.00	1.91	3.41	1.69
	mm	98	76	49	87	43
2*	in	4.17	3.25	2.28	3.63	1.69
	mm	106	83	58	92	43
5	in	3.84	2.31	2.75	3.28	2.28
	mm	98	59	70	83	58
6*	in	3.38	1.94	2.75	2.80	2.28
	mm	86	49	70	71	58
7	in	4.19	2.50	2.81	3.47	2.39
	mm	106	64	71	88	61
8	in	4.13	2.47	2.81	3.44	2.29
	mm	105	63	71	87	58
9*	in	3.66	2.10	2.81	2.96	2.28
	mm	93	53	71	75	58
10*	in	5.25	X	2.81	4.59	2.31
	mm	133	X	71	117	59
11*	in	4.16	2.66	3.84	3.52	2.75
	mm	106	68	98	89	70
12	in	5.64	3.15	3.75	4.01	3.36
	mm	143	80	95	102	85
13	in	4.44	3.22	3.75	4.19	5.81
	mm	113	82	95	106	147
15*	in	5.34	X	3.75	4.47	3.84
	mm	136	X	95	114	98
16	in	5.64	3.15	3.66	4.01	3.56
	mm	143	80	93	102	90
18	in	6.11	3.30	4.38	4.16	3.92
	mm	155	84	111	106	100
20*	in	7.33	3.71	5.06	4.57	4.87
	mm	186	94	129	116	124
21*	in	7.33	3.71	5.50	4.57	4.87
	mm	186	94	140	116	124
23	in	4.35	2.65	2.75	3.79	2.28
	mm	110	67	70	96	58
24	in	5.06	X	3.78	4.44	2.75
	mm	129	X	96	113	70
25	in	4.64	2.81	2.81	3.94	2.28
	mm	118	71	71	100	58
26	in	6.53	X	3.75	4.91	3.19
	mm	166	X	95	125	81
27	in	8.22	X	5.50	5.47	4.87
	mm	209	X	140	139	124
28	in	6.53	X	3.66	4.91	3.19
	mm	166	X	93	125	81
29	in	7.03	X	4.38	5.06	4.40
	mm	179	X	111	129	112

\* DC dimensions slightly larger.  
**IMPORTANT:** Valves may be mounted in any position, except as noted in specifications table.

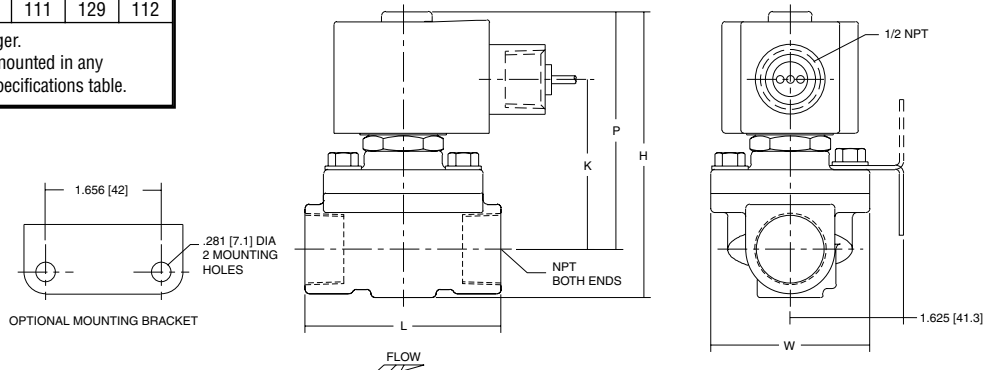
Const. Ref. 1, 2



Const. Ref. 13



Const. Ref. 5-9, 11, 23, 25, 37, 38

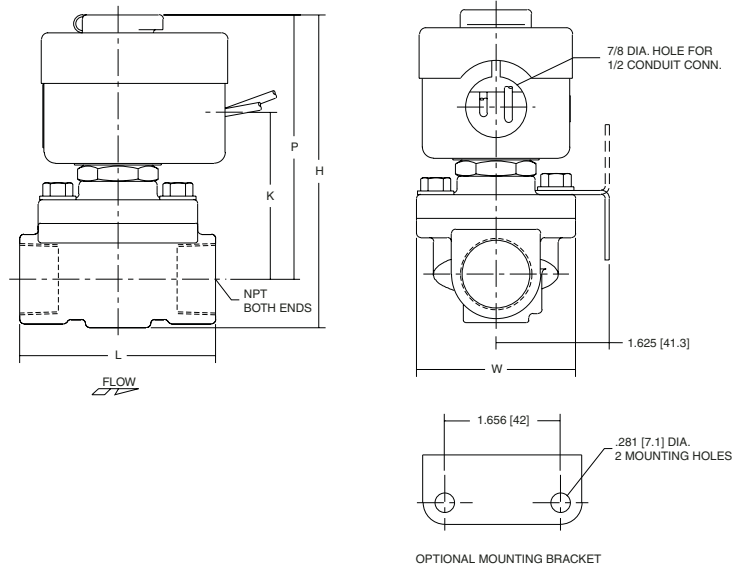


### Dimensions: inches (mm)

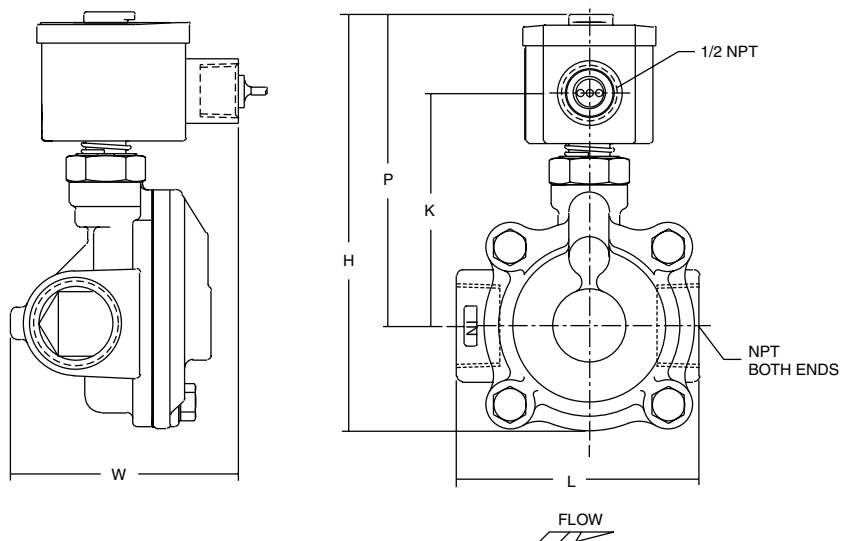
Const. Ref.		H	K	L	P	W
30	in	8.22	X	5.06	5.47	4.87
	mm	209	X	129	139	124
31	in	5.25	X	3.75	4.44	3.25
	mm	133	X	95	113	83
32	in	5.69	X	3.66	4.69	3.25
	mm	145	X	93	119	83
33	in	6.06	X	4.38	4.94	3.91
	mm	154	X	111	125	99
34	in	6.91	X	3.75	6.09	3.25
	mm	176	X	95	155	83
35	in	7.34	X	3.66	6.34	3.25
	mm	186	X	93	161	83
36	in	7.66	X	4.38	6.56	3.91
	mm	195	X	111	167	99
37	in	4.61	2.75	2.81	3.89	2.39
	mm	117	70	71	99	61
38	in	4.61	2.75	2.81	3.89	2.39
	mm	117	70	71	99	61
39	in	5.42	2.31	2.75	4.86	3.80
	mm	138	59	70	123	97
40	in	5.20	3.29	2.81	4.50	2.28
	mm	132	83	71	114	58
41	in	5.13	3.10	3.75	4.32	3.25
	mm	130	79	95	110	83
42	in	6.43	4.40	3.93	5.62	3.25
	mm	163	112	100	143	83
43	in	5.57	3.35	3.66	4.57	3.25
	mm	142	85	93	116	83
44	in	5.90	3.57	4.38	4.79	3.91
	mm	150	91	111	122	99
45	in	5.26	3.17	3.75	4.38	3.84
	mm	134	81	95	111	98
46	in	4.95	3.10	3.84	4.31	2.75
	mm	126	79	98	110	70
47	in	6.43	3.59	3.75	4.81	3.52
	mm	163	91	95	122	90
48	in	6.43	3.59	3.66	4.81	3.73
	mm	163	91	93	122	95
49	in	6.91	3.75	4.38	4.96	4.40
	mm	176	95	111	126	112
50	in	8.13	4.15	5.06	5.37	4.87
	mm	207	105	129	136	124
51	in	8.13	4.15	5.50	5.37	5.18
	mm	207	105	140	136	132

**IMPORTANT:** Valves may be mounted in any position, except as noted in specifications table.

### Const. Ref. 10, 15, 24, 31-36

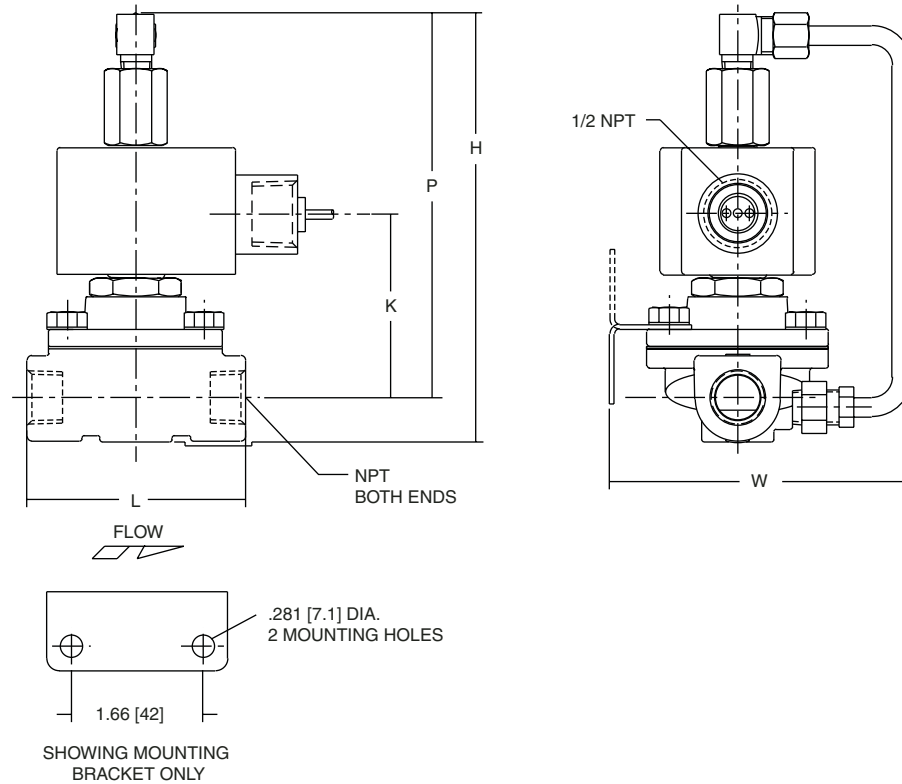


### Const. Ref. 12, 16, 18, 20, 21, 26-30, 47-51



## Dimensions: inches (mm)

## Const. Ref. 39



## Const. Ref. 40-46

