

**VSSC**  
**VSSC6 RS485**

**Weidmüller Interface GmbH & Co. KG**  
Klingenbergstraße 16  
D-32758 Detmold  
Germany  
Fon: +49 5231 14-0  
Fax: +49 5231 14-292083  
www.weidmueller.com

**Data surge protection**

- for RS 422 and RS 485 signals
- Can also be connected as T branch with K21 wall-mounted housing

**General ordering data**

Type	VSSC6 RS485
Order No.	<a href="#">1064980000</a>
Version	Surge protection for instrumentation and control, 12 V, 500 mA, IEC 61643-21
GTIN (EAN)	4032248830220
Qty.	10 pc(s).

**VSSC**  
**VSSC6 RS485**

**Weidmüller Interface GmbH & Co. KG**  
 Klingenbergstraße 16  
 D-32758 Detmold  
 Germany  
 Fon: +49 5231 14-0  
 Fax: +49 5231 14-292083  
 www.weidmueller.com

**Technical data****Dimensions and weights**

Width	6.2 mm	Width (inches)	0.244 inch
Height	88.5 mm	Height (inches)	3.484 inch
Depth	81 mm	Depth (inches)	3.189 inch
Net weight	42 g		

**Temperatures**

Humidity	5...96 %	Operating temperature, max.	70 °C
Operating temperature, min.	-40 °C	Storage temperature, max.	80 °C
Storage temperature, min.	-40 °C	Operating temperature	-40 °C...70 °C
Storage temperature	-40 °C...80 °C		

**Probability of failure**

$\lambda_{ges}$	60	MTTF	1,903 Jahre
PFH in $1 \cdot 10^{-9}$ per hour	3.25	SFF	94.58 %
SIL in compliance with IEC 61508	3		

**CSA protection data**

Input current, max. $I_I$	500 mA	Internal capacity, max. $C_I$	2 nF
---------------------------	--------	-------------------------------	------

**General data**

Colour	Black	Design	Terminal
Isolating function	No	Mounting rail	TS 35
Optical function display	No	Protection degree	IP20
Segment	Instrumentation and Control	UL 94 flammability rating	V-0
Version	Surge protection for measurement and control		

**Insulation coordination acc. to EN 50178**

Pollution severity	2	Surge voltage category	III
--------------------	---	------------------------	-----

**Rated data IEC / EN**

Discharge current $I_{max}$ (8/20 $\mu$ s) wire-PE	10 kA	Discharge current $I_{max}$ (8/20 $\mu$ s) wire-wire	10 kA
Discharge current $I_n$ (8/20 $\mu$ s) wire-PE	2.5 kA	Discharge current $I_n$ (8/20 $\mu$ s) wire-wire	2.5 kA
Discharge current, max. (8/20 $\mu$ s)	20 kA	Insertion loss	113.7 MHz
Lightning test current $I_{imp}$ (10/350 $\mu$ s)	0.5 kA	Lightning test current, $I_{imp}$ (10/350 $\mu$ s) Wire-PE	0.5 kA
Max. continuous voltage, $U_c$ (DC)	15 V	Overload - failure mode	Modus 2
Protection level $U_p$ (typ.)	$\leq 100$ V	Pulse-reset capacity	$\leq 15$ ms
Rated current $I_N$	500 mA	Rated voltage (DC)	12 V
Requirements category acc. to IEC 61643-21	C2, C3, D1	Signal transmission properties (-3 dB)	113.6 MHz
Standards	IEC 61643-21	Surge current-carrying capacity C2	2.5 kA 8/20 $\mu$ s 5 kV 1.2/50 $\mu$ s
Surge current-carrying capacity C3	10 A 10/1000 $\mu$ s	Surge current-carrying capacity D1	0.5 kA 10/350 $\mu$ s
Voltage type	AC	Volume resistance	1.8 $\Omega$ 10 %

**VSSC**  
**VSSC6 RS485**

**Weidmüller Interface GmbH & Co. KG**  
 Klingenbergstraße 16  
 D-32758 Detmold  
 Germany  
 Fon: +49 5231 14-0  
 Fax: +49 5231 14-292083  
 www.weidmueller.com

**Technical data****Further details of approvals**

GOST certificate	GOST-Zertifikat
------------------	-----------------

**Connection data**

Type of connection	Screw connection, Torx® T15, Slotted 0.8 x 4	Tightening torque, min.	0.5 Nm
Tightening torque, max.	0.8 Nm	Clamping range, min.	0.5 mm <sup>2</sup>
Clamping range, max.	4 mm <sup>2</sup>	Wire cross-section, solid, min.	0.5 mm <sup>2</sup>
Wire cross-section, solid, max.	6 mm <sup>2</sup>	Conductor cross-section, flexible, AEH (DIN 46228-1), min.	0.5 mm <sup>2</sup>
Conductor cross-section, flexible, AEH (DIN 46228-1), max.	4 mm <sup>2</sup>	Connection cross-section, stranded, min.	0.5 mm <sup>2</sup>
Connection cross-section, stranded, max.	4 mm <sup>2</sup>		

**Rated data UL**

Certificate No. (UL)	E311081	UL certificate	UL Zertifikat
----------------------	---------	----------------	---------------

**Ratings IECEx/ATEX/cUL**

cUL certificate	cUL Certificate
-----------------	-----------------

**Classifications**

ETIM 3.0	EC000943	ETIM 4.0	EC000943
ETIM 5.0	EC000943	ETIM 6.0	EC000943
UNSPSC	30-21-19-21	eClass 5.1	27-13-08-01
eClass 6.2	27-13-08-05	eClass 7.1	27-13-08-09
eClass 8.1	27-13-08-11	eClass 9.0	27-13-08-11
eClass 9.1	27-13-08-07		

**Product information**

Descriptive text ordering data	End plate AP VSSC6 1063110000
Instructions for accessories	Screwdrivers: Torx® 9009170000 Slot 0.8x4.0 9008340000 EMC Set: 1067470000 Marker: WS10/6 1818400000; DEK 6 0468560000; DEK 5 1768260000; SNAPMARK 1805880000

**Approvals**

Approvals



ROHS	Conform
------	---------

**Downloads**

Approval/Certificate/Document of Conformity	<a href="#">SIL Paper</a> <a href="#">CE PAPER</a>
Brochure/Catalogue	<a href="#">CAT 4.4 ELECTR 16/17 EN</a>
Engineering Data	<a href="#">EPLAN, WSCAD</a>
Engineering Data	<a href="#">STEP</a>
User Documentation	<a href="#">Instruction sheet VSSC</a>

Creation date September 14, 2018 6:40:22 PM CEST

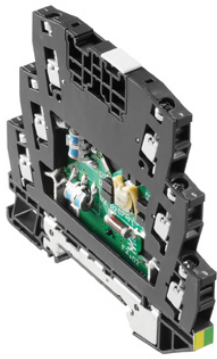
Catalogue status 31.08.2018 / We reserve the right to make technical changes.

**Data sheet**

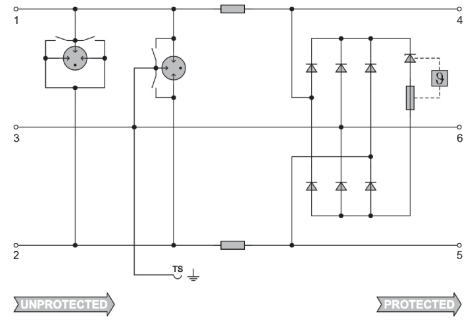
**VSSC  
VSSC6 RS485**

**Weidmüller Interface GmbH & Co. KG**  
Klingenbergstraße 16  
D-32758 Detmold  
Germany  
Fon: +49 5231 14-0  
Fax: +49 5231 14-292083  
www.weidmueller.com

**Drawings**



Similar to illustration



Circuit diagram

