

AudioLarm II

MC-V07-130-S



More Information

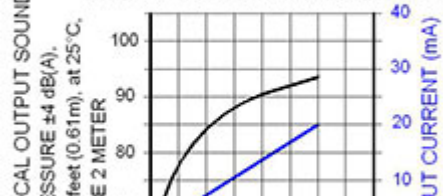
Continuous

 [Spec Sheet](#)

 [UL Recognized](#)

 [RoHS Compliant](#)

OUTPUT SOUND and CURRENT CONSUMPTION vs. INPUT VOLTAGE PERFORMANCE.



Specifications

Revision: 7.18

Medium Loud Continuous; Panel Mount with Volume Control Case and Quick Connect Blades with Screws Termination

Mounting:	Panel Mount with Volume Control
Operating Mode:	Medium Loud Continuous
Operating Voltage:	3-30 Vdc
Operating Frequency:	
Typical Operating Current:	4 mA at 3 Vdc 35 mA at 30 Vdc
Typical Sound Pressure:	68±5 dB(A), at 3 Vdc, at 24 inches (61 cm), at 25°C 93±5 dB(A), at 30 Vdc, at 24 inches (61 cm), at 25°C
Termination:	Quick Connect Blades with Screws
Termination Strength:	Pull test with a maximum of 22 pounds (10 kg) load
Operating Temperature:	-20_C to +65_C
Storage Temperature:	-40_C to +85_C
Surge Voltage:	20% over maximum rated voltage for less than 5 minutes
Reverse Voltage Protection:	To the maximum operating voltage
Construction Materials:	Internal Circuit- Audio-oscillator and piezoelectric driver Potting- 2 parts epoxy resin or silicone, black Diaphragm- Stainless Steel 304

Gasket:

Environmental Durability: ASTM B117 Certified - Withstands exposure to salt spray for 300 hours
IP 68 Certified - Withstands water submergence and dust exposure
Humidity- 95% relative humidity at +40_C continuously for 100 hours.
Vibration- Withstands vibration between 0 and 55 Hz. on all axes.

Life Expectancy:

10 years under normal operating conditions.

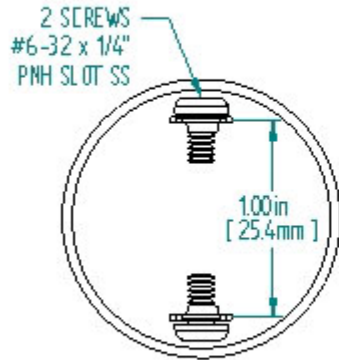
Warranty:

For a period of two years from the date of manufacture under normal operating conditions.

[View Terms and Conditions of Sale](#)

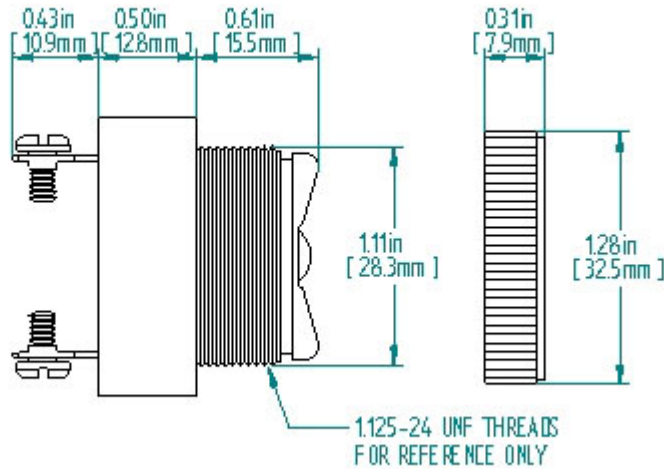
Dimensions

REAR

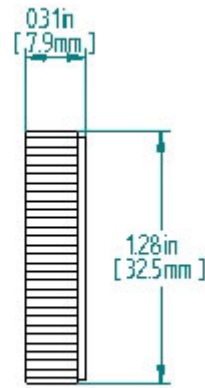


TOLERANCES ARE: ±0.03in.
[±0.76mm]

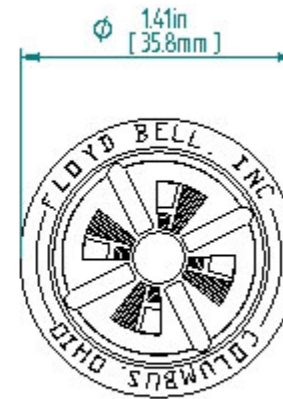
SIDE



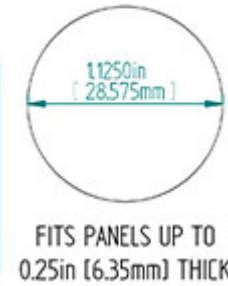
RING



FRONT



PANEL MOUNTING



"S" TERMINALS

