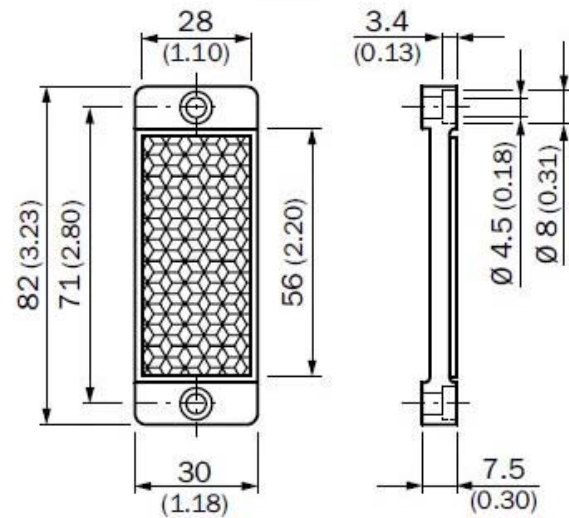




PL30A

Reflector, rectangular,
screw connection

Dimensional drawing



All dimensions in mm (inch)

Technical data

Reflection area	28 mm x 56 mm
Material	PMMA/ABS
Temperature	-20 °C ... +65 °C

Ordering information

Model name	Part no.
PL30A	1002314