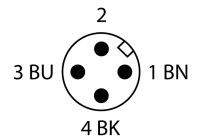
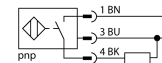


- M12 × 1 threaded barrel
- Chrome-plated brass
- Factor 1 for all metals
- Protection class IP68
- Resistant to magnetic fields
- Large switching distance
- Integrated protection against pre-attenuation
- Little metal-free spaces
- DC 3-wire, 10...30 VDC
- NO contact, PNP output
- M12 x 1 male connector

| | |
|---|---|
| Type designation | NI10U-M12-AP6X-H1141 |
| Ident-No. | 1634806 |
| Rated switching distance Sn | 10 mm |
| Mounting conditions | Non-flush |
| Secured operating distance | ≤ (0,81 x Sn) mm |
| Repeat accuracy | ≤ 2 % of full scale |
| Temperature drift | ≤ ± 10 % |
| Hysteresis | ≤ ± 15 %, ≤ -25 °C v ≥ +70 °C |
| Ambient temperature | 3...15 °C |
| | -30...+85 °C |
| Operating voltage | 10...30 VDC |
| Residual ripple | ≤ 10 % U _{ss} |
| DC rated operational current | ≤ 200 mA |
| No-load current I ₀ | ≤ 20 mA |
| Residual current | ≤ 0.1 mA |
| Isolation test voltage | ≤ 0.5 kV |
| Short-circuit protection | yes/ Cyclic |
| Voltage drop at I ₀ | ≤ 1.8 V |
| Wire breakage/Reverse polarity protection | yes/ Complete |
| Output function | 3-wire, NO contact, PNP |
| Protection class | ☐ |
| Switching frequency | 2 kHz |
| Design | Threaded barrel, M12 × 1 |
| Dimensions | 52 mm |
| Housing material | Metal, CuZn, Chrome-plated |
| Active area material | Plastic, LCP |
| Max. tightening torque housing nut | 10 Nm |
| Electrical connection | Connector, M12 × 1 |
| Vibration resistance | 55 Hz (1 mm) |
| Shock resistance | 30 g (11 ms) |
| Protection class | IP68 |
| MTTF | 874 years acc. to SN 29500 (Ed. 99) 40 °C |
| Switching state | LED, Yellow |

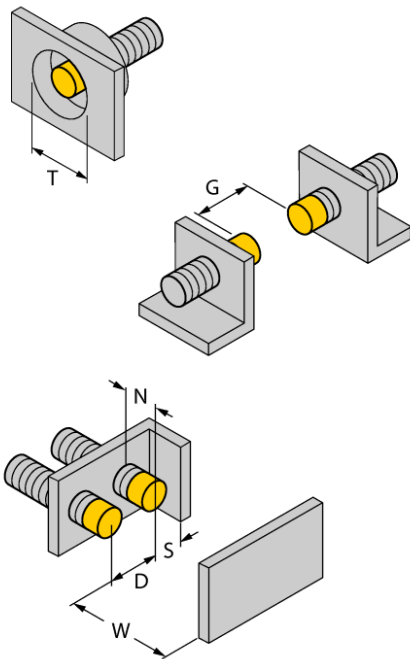
Wiring Diagram



Functional principle

Inductive sensors detect metal objects contactless and wear-free. Due to the patented multi-coil system, *uprox*®+ sensors have distinct advantages over conventional sensors. They excel in largest switching distances, maximum flexibility and operational reliability as well as efficient standardization.

| | |
|------------------------|---------|
| Distance D | 48 mm |
| Distance W | 3 x Sn |
| Distance T | 45 mm |
| Distance S | 1.5 x B |
| Distance G | 6 x Sn |
| Distance N | 2 x Sn |
| <hr/> | |
| Diameter active area B | Ø 12 mm |



All recessed mountable *uprox®+* threaded barrel sensors can be embedded to the upper edge of the thread. Thus safe operation is guaranteed with a reduced switching distance of max. 20 %.

When installed in an aperture plate a distance of X = 50 mm must be observed.

Accessories

| Type code | Ident-No. | Description | |
|-----------|-----------|--|--|
| QM-12 | 6945101 | Quick-mount bracket with dead-stop; material: Chrome-plated brass Male thread M16 x 1. Note: The switching distance of proximity switches can be reduced by the use of quick-mount brackets. | |
| BST-12B | 6947212 | Fixing clamp for threaded barrel devices, with dead-stop; material: PA6 | |
| MW-12 | 6945003 | Mounting bracket for threaded barrel devices; material: Stainless steel A2 1.4301 (AISI 304) | |
| BSS-12 | 6901321 | Mounting bracket for smooth and threaded barrel devices; material: Polypropylene | |

Wiring accessories

| Type code | Ident-No. | Description | |
|-------------|-----------|--|--|
| RKC4T-2/TEL | 6625010 | Connection cable, female M12, straight, 3-pin, cable length: 2 m, sheath material: PVC, black; cULus approval; other cable lengths and qualities available, see www.turck.com | |