
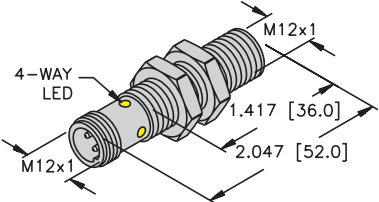
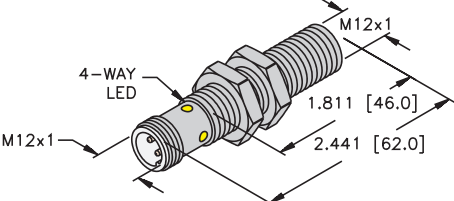
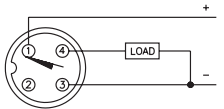
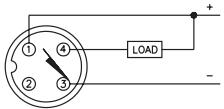
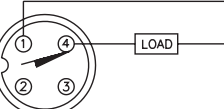
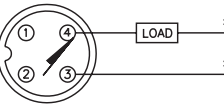


# Stoneface | 12 mm

## Embeddable Threaded Metal Barrels with Cable and DC Outputs

Housing Style	Dimension Drawings
	<p><b>A</b></p>  <p>12 mm - Embeddable, M12 Eurofast Connection</p>
<p><b>B</b></p>  <p>12 mm - Embeddable, M12 Eurofast Connection, Extended Barrel Length</p>	

Wiring Diagrams/Mating Cordsets			
<p><b>1</b></p>  <p>Mating Cordset: RK 4T-*; RKV 4T-*</p>	<p><b>2</b></p>  <p>Mating Cordset: RK 4T-*; RKV 4T-*</p>	<p><b>3</b></p>  <p>Mating Cordset: RK 4.23T-*</p>	<p><b>4</b></p>  <p>Mating Cordset: RK 4.2T-*</p>

A2	3 and 4-wire DC - (AN, RN, AP, RP, VN, VP)	
<p>Ripple: <math>\leq 10\%</math></p> <p>Differential Travel (Hysteresis): 3-15% (5% typical)</p> <p>Voltage Drop Across Conducting Sensor: <math>\leq 1.8\text{ V}</math></p> <p>Trigger Current for Short Circuit Protection: <math>\geq 220\text{ mA}</math> on 200 mA Load Current  <math>\geq 170\text{ mA}</math> on 150 mA Load Current  <math>\geq 120\text{ mA}</math> on 100 mA Load Current</p> <p>Off-State (Leakage) Current: <math>\leq 0.1\text{ mA}</math></p> <p>No-Load Current: <math>\leq 15\text{ mA}</math> (Ferrite, Uprox, Rectangular)  <math>\leq 20\text{ mA}</math> (Uprox+, Uprox 3)</p> <p>Time Delay Before Availability: <math>\leq 8\text{ ms}</math></p>		<p>Power-On Effect: Per IEC 947-5-2</p> <p>Reverse Polarity Protection: Incorporated</p> <p>Wire-Break Protection: Incorporated</p> <p>Transient Protection: Per EN 60947-5-2</p> <p>Temperature Drift: <math>\leq \pm 10\%</math></p> <p>Shock: 30 g, 11 ms</p> <p>Vibration: 55 Hz, 1 mm Amplitude in all 3 Planes</p> <p>Repeatability: <math>\leq 2\%</math> of Rated Operating Distance</p>
A3	2-wire DC - (AD, RD, AG)	
<p>Ripple: <math>\leq 10\%</math></p> <p>Differential Travel (Hysteresis): 3-15% (5% typical)</p> <p>Voltage Drop Across Conducting Sensor: Non-polarized (AD) <math>&lt; 5.0\text{ V}</math>  Polarized (AG) <math>\leq 4.2\text{ V}</math></p> <p>Trigger Current for Short Circuit Protection: <math>\geq 120\text{ mA}</math></p> <p>Minimum Load Current: <math>\geq 3.0\text{ mA}</math></p>		<p>Off-State (Leakage) Current: <math>\leq 0.8\text{ mA}</math></p> <p>Power-On Effect: Per IEC 947-5-2</p> <p>Transient Protection: Per EN 60947-5-2</p> <p>Shock: 30 g, 11 ms</p> <p>Vibration: 55 Hz, 1 mm Amplitude in all 3 Planes</p> <p>Repeatability: <math>\leq 2\%</math> of Rated Operating Distance</p>

We reserve the right to make technical alterations without prior notice.

# Stoneface | 12 mm

## Embeddable Threaded Metal Barrels with Cable and DC Outputs

Part Number/ ID Number	Features	Sensing Range (mm)	Output	Voltage	Switching Freq. (Hz)	Operating Current (mA)	Operating Temp. (°C)	Protection	Housing	Front Cap/Face	Power LED	Output LED	Dimension Drawings	Wiring Diagrams	Spec List
BI4-MT12H-AN6X-H1141 4607194	PTFE	4	3-wire DC NPN	10-30 VDC	2000	≤200	-25 to +70	IP67	TC	SF	N/A	YE	A	2	A2
BI4-MT12H-AP6X-H1141 4607093	PTFE	4	3-wire DC PNP	10-30 VDC	2000	≤200	-25 to +70	IP67	TC	SF	N/A	YE	A	1	A2
BI4-MT12HE-AN6X-H1141 4607197	PTFE	4	3-wire DC NPN	10-30 VDC	2000	≤200	-25 to +70	IP67	TC	SF	N/A	YE	B	2	A2
BI4-MT12HE-AP6X-H1141 4608093	PTFE	4	3-wire DC PNP	10-30 VDC	2000	≤200	-25 to +70	IP67	TC	SF	N/A	YE	B	1	A2
BI3U-EM12H-AP6X-H1141 1634312	Uprox	3	3-wire DC PNP	10-30 VDC	2000	≤200	-30 to +85	IP67	SS	SF	N/A	YE	A	1	A2
BI3U-EM12HE-AN6X2-H1141 1634311	Uprox	3	3-wire DC NPN	10-30 VDC	2000	≤200	-30 to +85	IP67	SS	SF	GN	YE	B	2	A2
BI3U-EM12HE-AP6X2-H1141 1634310	Uprox	3	3-wire DC PNP	10-30 VDC	2000	≤200	-30 to +85	IP67	SS	SF	GN	YE	B	1	A2
BI3U-MT12H-AP6X-H1141 1634212	Uprox, PTFE	3	3-wire DC PNP	10-30 VDC	2000	≤200	-30 to +85	IP67	TC	SF	N/A	YE	A	1	A2
BI3U-MT12HE-AN6X2-H1141 1634230	Uprox, PTFE	3	3-wire DC NPN	10-30 VDC	2000	≤200	-30 to +85	IP67	TC	SF	GN	YE	B	2	A2
BI3U-MT12HE-AP6X2-H1141 1634220	Uprox, PTFE	3	3-wire DC PNP	10-30 VDC	2000	≤200	-30 to +85	IP67	TC	SF	GN	YE	B	1	A2
BI3-MT12H-AD4X-H1144 44050983	PTFE	3	2-wire DC	10-65 VDC	1000	≤100	-25 to +70	IP67	TC	SF	N/A	YE	A	3	A3
BI3-MT12HE-AD4X-H1141 4405088	PTFE	3	2-wire DC	10-65 VDC	1000	≤100	-25 to +70	IP67	TC	SF	N/A	YE	B	4	A3

We reserve the right to make technical alterations without prior notice.

Stoneface