
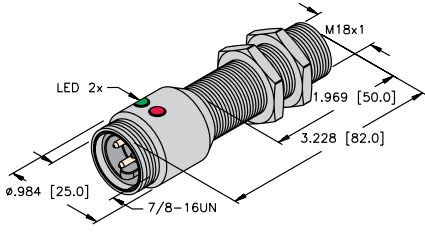
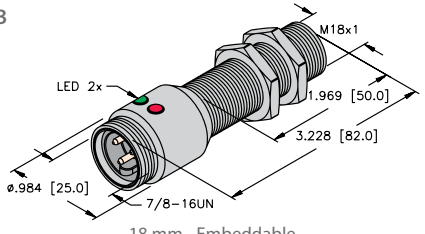
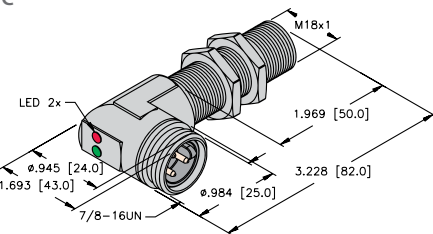
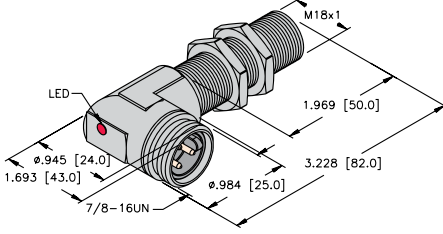
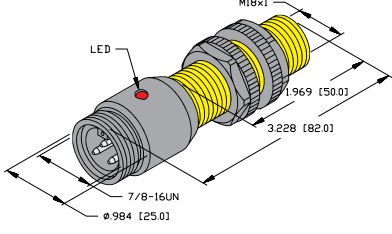


Inductive Barrel Sensors | 18 mm

Embeddable Fully Threaded Barrels with Connector and AC/DC Outputs

Housing Style	Dimension Drawings	
	<p>A</p>  <p>18 mm - Embeddable, 7/8" Minifast Connection</p>	<p>B</p>  <p>18 mm - Embeddable, 7/8" Minifast Connection, PTFE Coated</p>
<p>C</p>  <p>18 mm - Embeddable, 7/8" Minifast Right Angle Connection</p>	<p>D</p>  <p>18 mm - Embeddable, 7/8" Minifast Right Angle Connection, PTFE Coated</p>	<p>E</p>  <p>18 mm - Embeddable and Nonembeddable, Full Threading, 7/8" Minifast Connection</p>

Wiring Diagrams/Mating Cordsets

<p>1</p>  <p>Mating Cordset: RKM 30-*M; RKM 311-*M/S600</p>	<p>2</p>  <p>Mating Cordset: RK 30-*M</p>
------------------------------------------------------------------------------------------------------------------------------------------------------	--------------------------------------------------------------------------------------------------------------------------------------

A5 2-wire AC/DC w/ Short-Circuit Protection - (ADZ, RDZ, FDZ, VDZ)

<p>Line Frequency: $\geq 50 \dots \leq 60$ Hz</p> <p>Differential Travel (Hysteresis): 3-15% (5% typical)</p> <p>Voltage Drop Across Conducting Sensor: ≤ 6.0 V</p> <p>Trigger Current for Short Circuit Protection: AC: ≥ 440 mA; DC: ≥ 330 mA AC: ≥ 120 mA; DC: ≥ 120 mA</p> <p>Continuous Load Current: AC: ≤ 400 mA; DC: ≤ 300 mA AC: ≤ 100 mA; DC: ≤ 100 mA</p> <p>Off-State (Leakage) Current: ≤ 1.7 mA (AC) ≤ 1.5 mA (DC)</p>	<p>Minimum Load Current: ≥ 3.0 mA</p> <p>Inrush Current: ≤ 3 A (≤ 20 ms, max 5 Hz)</p> <p>Power-On Effect: Per IEC 947-5-2</p> <p>Transient Protection: Per EN 60947-5-2</p> <p>Shock: 30 g, 11 ms</p> <p>Vibration: 55 Hz, 1 mm Amplitude, in all 3 Planes</p> <p>Repeatability: $\leq 2\%$ of Rated Operating Distance</p>
---------------------------------------------------------------------------------------------------------------------------------------------------------------------------------------------------------------------------------------------------------------------------------------------------------------------------------------------------------------------------------------------------------------------------------------------------------------------------------------------------------------------------------------------------------------------------------------------------------------------------------------------	-----------------------------------------------------------------------------------------------------------------------------------------------------------------------------------------------------------------------------------------------------------------------------------------------------------------------------------------------------------------------------------------

A6 2-wire AC/DC w/o Short-Circuit Protection - (AZ, RZ, FZ)

<p>Line Frequency: $\geq 50 \dots \leq 60$ Hz</p> <p>Differential Travel (Hysteresis): 3-15% (5% typical)</p> <p>Voltage Drop Across Conducting Sensor: ≤ 6.0 V</p> <p>Continuous Load Current: AC: ≤ 400 mA; DC: ≤ 300 mA AC: ≤ 100 mA; DC: ≤ 100 mA</p> <p>Off-State (Leakage) Current: ≤ 1.7 mA</p> <p>Minimum Load Current: ≥ 3.0 mA</p>	<p>Inrush Current: ≤ 8 A (≤ 10 ms max. 5 Hz) ≤ 1 A (≤ 10 ms max. 5 Hz) 12 mm ≤ 0.2 A (≤ 10 ms max. 0.2 Hz) 8 mm</p> <p>Power-On Effect: Per IEC 947-5-2</p> <p>Transient Protection: Per EN 60947-5-2</p> <p>Shock: 30 g, 11 ms</p> <p>Vibration: 55 Hz, 1 mm Amplitude, in all 3 Planes</p> <p>Repeatability: $\leq 2\%$ of Rated Operating Distance</p>
-----------------------------------------------------------------------------------------------------------------------------------------------------------------------------------------------------------------------------------------------------------------------------------------------------------------------------------------------------------------------------------------------------------------------------------------------------------------------------	------------------------------------------------------------------------------------------------------------------------------------------------------------------------------------------------------------------------------------------------------------------------------------------------------------------------------------------------------------------------------------------------------------------------------------------------------------------------------

We reserve the right to make technical alterations without prior notice.



Inductive Barrel Sensors | 18 mm

Embeddable Fully Threaded Barrels with Connector and AC/DC Outputs

Part Number/ ID Number	Features	Sensing Range (mm)	Output	Voltage	Switching Freq. (Hz)	Operating Current (mA)	Operating Temp. (°C)	Protection	Housing	Face	Power LED	Output LED	Dimension Drawings	Wiring Diagrams	Spec List
Bi5U-G18-ADZ30X2-B1331 4281212	Uprox	5	2-wire AC/DC Short-Circuit Protected	20-250 VAC/ 10-300 VDC	10	≤400/300	-30 to +85	IP67	CPB	PBT	GN	YE	A	1	A5
Bi5U-GT18-ADZ30X2-B1331 4281222	Uprox, PTFE	5	2-wire AC/DC Short-Circuit Protected	20-250 VAC/ 10-300 VDC	10	≤400/300	-30 to +85	IP67	TC	TC	GN	YE	B	1	A5
Bi5-G18-ADZ30X2-B1331 42080		5	2-wire AC/DC Short-Circuit Protected	20-250 VAC/ 10-300 VDC	20	≤400/300	-25 to +70	IP67	CPB	PA 12	GN	RD	A	1	A5
Bi5-GT18-ADZ30X2-B1331 4255290	PTFE	5	2-wire AC/DC Short-Circuit Protected	20-250 VAC/ 10-300 VDC	20	≤400/300	-25 to +70	IP67	TC	TC	GN	RD	B	1	A5
Bi5-GT18-ADZ30X2-B1331/S34 4255200	PTFE, WFI	5	2-wire AC/DC Short-Circuit Protected	20-250 VAC/ 10-300 VDC	20	≤400/300	-25 to +70	IP67	TC	TC	GN	RD	B	1	A5
Bi5-GT18H-ADZ30X2-B1331/S34/S1589 4255284	PTFE, WFI, Weldguard	5	2-wire AC/DC Short-Circuit Protected	20-250 VAC/ 10-300 VDC	20	≤400/300	-25 to +70	IP67	TC	WG	GN	RD	B	1	A5
Bi5-GT18-ADZ30X2-B1431 4255690	PTFE	5	2-wire AC/DC Short-Circuit Protected	20-250 VAC/ 10-300 VDC	20	≤400/300	-25 to +70	IP67	TC	TC	GN	RD	D	1	A5
Bi5-GT18-ADZ30X2-B1431/S34 4255600	PTFE, WFI	5	2-wire AC/DC Short-Circuit Protected	20-250 VAC/ 10-300 VDC	20	≤400/300	-25 to +70	IP67	TC	TC	GN	RD	D	1	A5
Bi5-GT18H-ADZ30X2-B1431/S34/S1589 4255285	PTFE, Weldguard	5	2-wire AC/DC Short-Circuit Protected	20-250 VAC/ 10-300 VDC	20	≤400/300	-25 to +70	IP67	TC	WG	GN	RD	D	1	A5
Bi5-G18-AZ3X-B1331 43720		5	2-wire AC/DC	20-250 VAC/ 10-300 VDC	20	≤400/300	-25 to +70	IP67	CPB	PA 12	N/A	RD	A	1	A6
Bi5-G18-AZ3X-B1431 43724		5	2-wire AC/DC	20-250 VAC/ 10-300 VDC	20	≤400/300	-25 to +70	IP67	CPB	PA 12	N/A	RD	C	1	A6
Bi5-P18-AZ3X-B2331 43748		5	2-wire AC/DC	20-250 VAC/ 10-300 VDC	20	≤400/300	-25 to +70	IP67	PA 12	PA 12	N/A	RD	E	2	A6

We reserve the right to make technical alterations without prior notice.

Inductive Barrel Sensors

