



Wille Electric Supply

No.:

Date: 9/14/2011

Customer :

TECHNICAL PROPOSAL

Three-phase induction motor - Squirrel cage rotor

Product line : W22 NEMA Premium
Catalog Number : 00518ET3E184TC-W22
List Price : \$810

Notes:
W22 NEMA Premium

Performed by:
Rob Robinson

Checked:



Wille Electric Supply

No.:

Date: 9/14/2011

DATA SHEET Three-phase induction motor - Squirrel cage rotor

Customer :
Product line : W22 NEMA Premium

Frame : 184T
Output : 5 HP
Frequency : 60 Hz
Poles : 4
Full load speed : 1755
Slip : 2.50 %
Voltage : 208-230/460 V
Rated current : 14.3-12.9/6.45 A
Locked rotor current : 96.8/48.4 A
Locked rotor current (I_L/I_n) : 7.5
No-load current : 6.40/3.20 A
Full load torque : 14.8 lb.ft
Locked rotor torque : 230 %
Breakdown torque : 320 %
Design : B
Insulation class : F
Temperature rise : 80 K
Locked rotor time : 15 s (hot)
Service factor : 1.25
Duty cycle : S1
Ambient temperature : -20°C - +40°C
Altitude : 1000 m
Degree of Protection : IP55
Approximate weight : 95 lb
Moment of inertia : 0.40033 sq.ft.lb
Noise level : 56 dB(A)

	D.E.	N.D.E.
Bearings	6207 ZZ	6206 ZZ
Regreasing interval	---	---
Grease amount	---	---

Load	Power factor	Efficiency (%)
100%	0.80	89.5
75%	0.74	89.5
50%	0.62	88.5

Notes:

Performed by:
Rob Robinson

Checked:

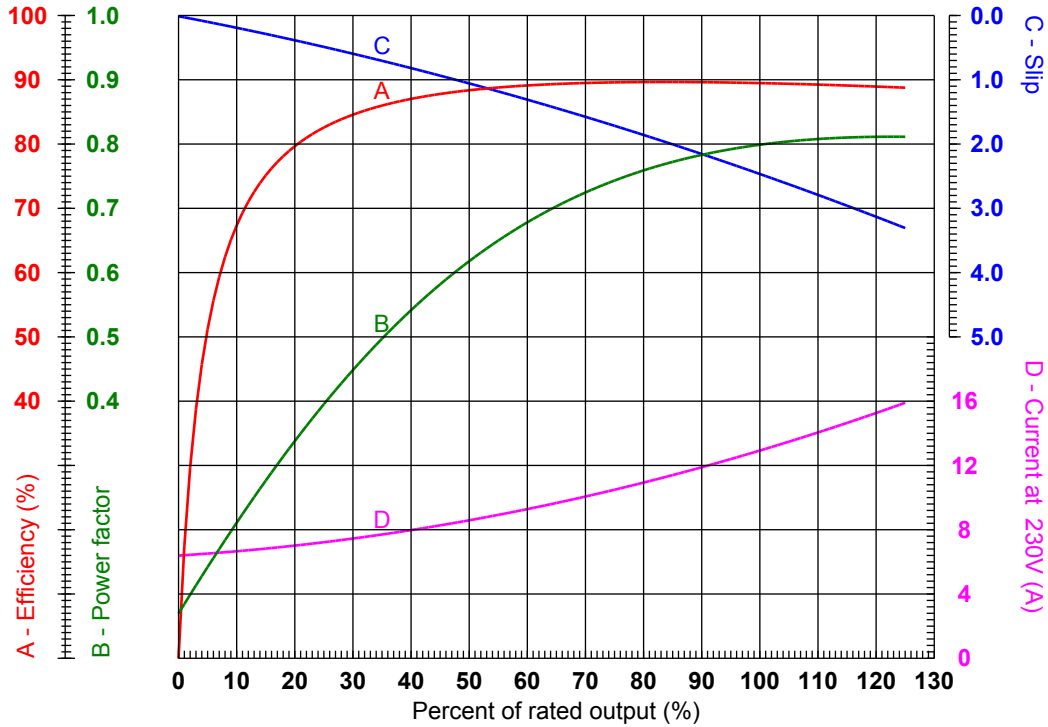


Wille Electric Supply

No.:

Date: 9/14/2011

PERFORMANCE CURVES RELATED TO RATED OUTPUT Three-phase induction motor - Squirrel cage rotor



Customer :
Product line : W22 NEMA Premium

Output	: 5 HP	Locked rotor current (I _l /I _n)	: 7.5
Frame	: 184T	Duty cycle	: S1
Full load speed	: 1755	Service factor	: 1.25
Frequency	: 60 Hz	Design	: B
Voltage	: 208-230/460 V	Locked rotor torque	: 230 %
Insulation class	: F	Breakdown torque	: 320 %
Rated current	: 14.3-12.9/6.45 A		

Notes:

Performed by:
Rob Robinson

Checked:

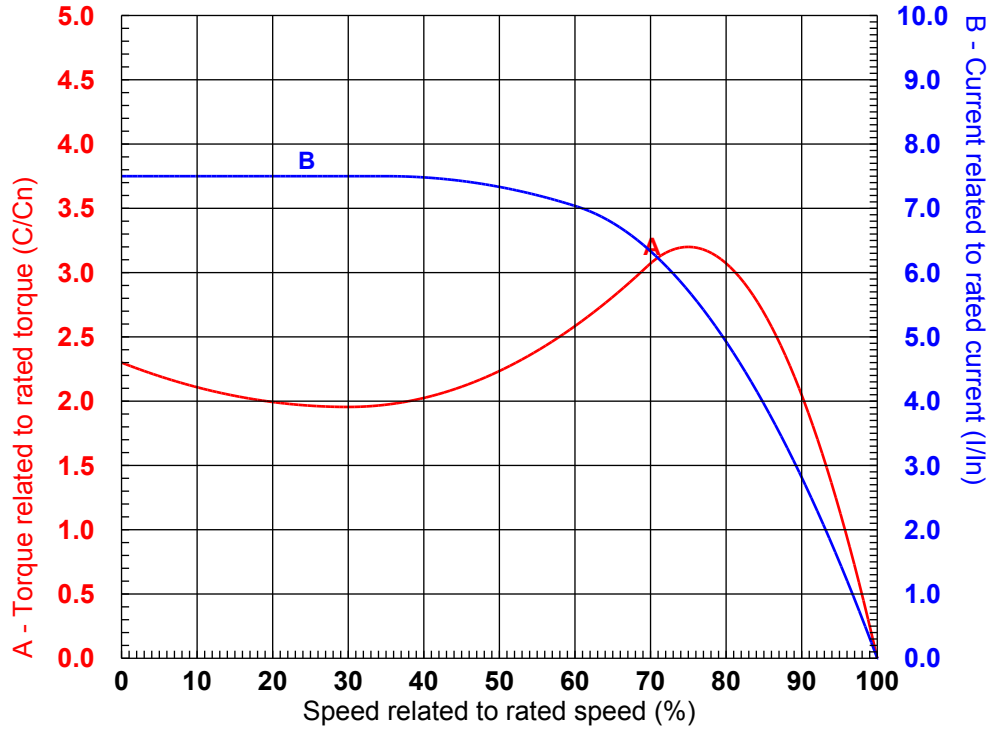


Wille Electric Supply

No.:

Date: 9/14/2011

CHARACTERISTIC CURVES RELATED TO SPEED Three-phase induction motor - Squirrel cage rotor



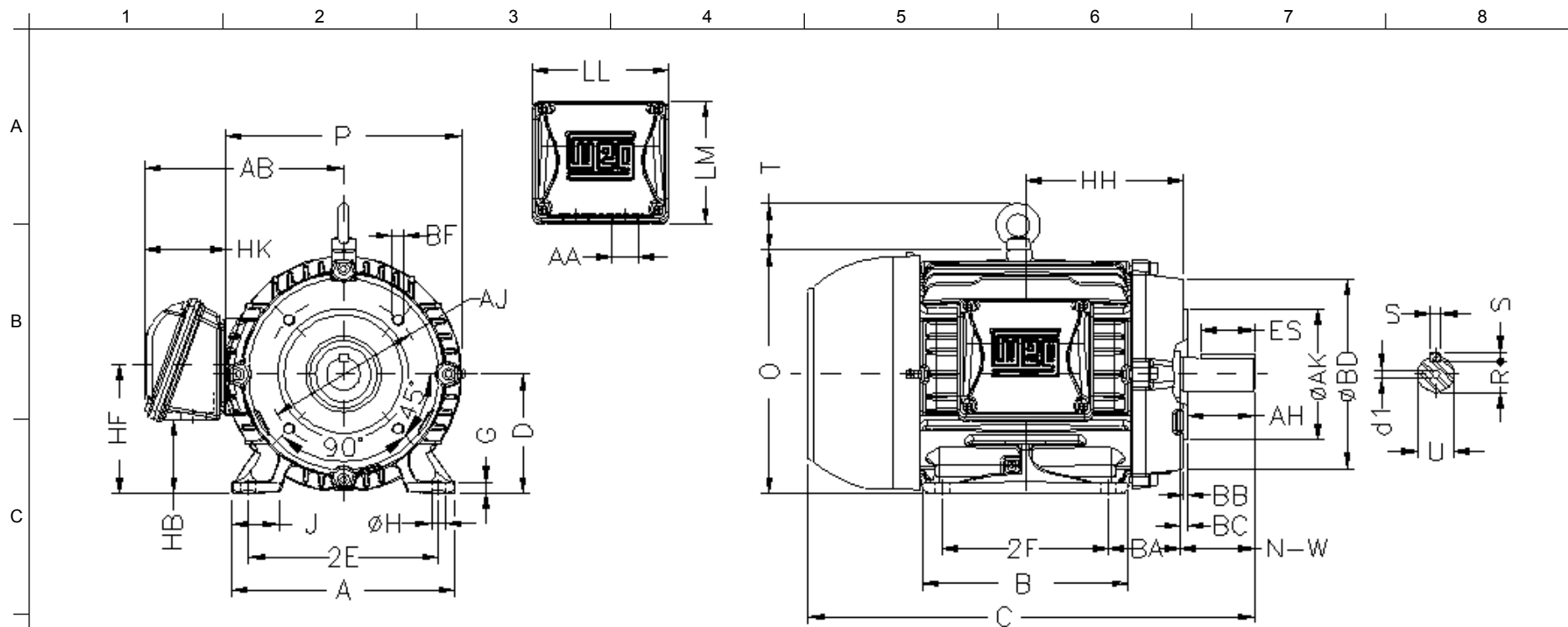
Customer :
Product line : W22 NEMA Premium

Output	: 5 HP	Locked rotor current (I _l /I _n)	: 7.5
Frame	: 184T	Duty cycle	: S1
Full load speed	: 1755	Service factor	: 1.25
Frequency	: 60 Hz	Design	: B
Voltage	: 208-230/460 V	Locked rotor torque	: 230 %
Insulation class	: F	Breakdown torque	: 320 %
Rated current	: 14.3-12.9/6.45 A		

Notes:

Performed by:
Rob Robinson

Checked:



E	2E 7.500	J 1.594	A 8.661	P 8.740	AB 7.559
	2F 5.500	B 6.969	BA 2.750	U 1.125	N-W 2.750
	ES 1.969	S 0.250	R 0.984	depth 0.250	D 4.500
	G 0.394	HB 2.236	O 9.343	T 1.772	HF 4.500
	HH 5.500	HK 3.110	H 0.406	C 15.860	LL 5.512
F	LM 5.236	AA NPT 1"	d1 A 4	d2 A 4	Flange FC-184
	AJ 7.250	AK 8.500	BD 8.875	BF UNC 1/2"x13	BB 0.250
	BC 0.125	AH 2.625			

Notes:

Performed by: Rob Robinson

Checked:

Customer:

W22 NEMA Premium

Three-phase induction motor
Frame 184T - IP55

9/14/2011

