

Project	
Notes	
Type	Date
Cat. No.	

WPM™ Series

Slim Mini LED Wall Pack Luminaire



DESCRIPTION

The Aleo WPM™ Series combines energy-efficiency, high performance, and rugged construction with a slim profile Designed look to deliver enhanced performance to outdoor wall-mounted lighting applications. Rugged die-cast housing provides advanced thermal management for long life and weather-proof compartment to withstand challenging, outdoor environments.

APPLICATIONS

Outdoor wall-mount applications. Building facade. Retail, commercial, Industrial exteriors, School Campuses.

Specification Features



WPM Series

15W

Rated Life 75,000 hours
Limited Warranty 7-years
Efficacy Up to 125 LPW

Construction

Rugged, die-cast housing with advanced thermal management system ensures reliability and durability. Weather-proof, gasketed compartment protects electronics against environmental elements. Dark Bronze finish. IP65 Wet Location Rated.

Electrical

Luminaire utilizes high-efficacy LED packages maintained at cool temperatures for long life, high efficacy. Reliable driver features universal voltage (120-277V) for convenient installation.

Optical System

High performance LED platforms delivers high efficiency and long life. Frosted prismatic glass lens designed for superior light distribution and uniformity. Type IV comes standard.

Installation / Mounting

Designed to be wall-mounted. Luminaire to be mounted directly over standard 4" junction box (supplied by others) or surface mount and wiring connection through convenient 1/2" threaded conduit entry hub on wall pack sides.

Certification

ETL Listed. All components have safety certification. DLC QPL Premium

Photocell

Comes Standard with built-in dusk-to-dawn photocell.

Warranty

7-year Limited Warranty. See warranty documentation for more information.



Quick Ship

WPM-15/40K
WPM-15/50K

Ordering Information

Example: WPM-15/40K

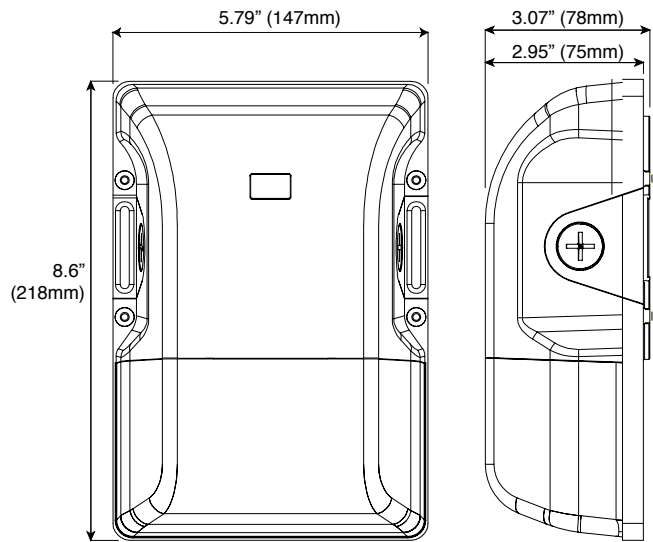
WPM	15	50K	[Blank]	[Blank]	[Blank]
Series	Nominal Wattage	Color Temp¹	Input Voltage	Controls	Finish
WPM Slim Mini LED Wall Pack	15 15W	40K 4000K 50K 5000K	Blank 120V-277V	Blank Photocell (120V/277V)	Blank Dark Bronze

Specifications and Dimensions subject to change without notice.

Performance Summary

Input Voltage	100V-277V
Input Frequency	50/60 Hz
Rated Wattage	See Performance Table
Delivered Lumens	See Performance Table
Efficacy	125 LPW (typ.)
CRI	80+, R9 > 0
Available CCT ¹	4000K, 5000K
Rated Life	50,000 hours
Power Factor	> 0.9
THD	< 20%
IP Rating	IP65
Photometric Distribution	Type IV
Operating Temp.	-20°C to 50°C

Product Dimensions



Performance Data

Catalog No.	Rated Wattage (W)	Tested Wattage (W)	4000K		5000K	
			Delivered Lumens (lm)	Efficacy (lm/W)	Delivered Lumens (lm)	Efficacy (lm/W)
WPM-15/xxK	14	15	1931	134	1954	135

DLC QPL Data

QPL Model No.	Product ID	Technical Req.	Classification	Primary Use
WPM-15/40K	PLZXGJIQJQOC	4.4	Premium	Outdoor Non-Cutoff and Semi-Cutoff Wall-Mounted Area Luminaires
WPM-15/45K	PLHS4Z0GGC64	4.4	Premium	Outdoor Non-Cutoff and Semi-Cutoff Wall-Mounted Area Luminaires
WPM-15/50K	PLXXG3GTKAEX	4.4	Premium	Outdoor Non-Cutoff and Semi-Cutoff Wall-Mounted Area Luminaires
WPM-15/57K	PL8VNGM5KBYO	4.4	Premium	Outdoor Non-Cutoff and Semi-Cutoff Wall-Mounted Area Luminaires
WPM-20/40K	PLTEY8N0W0O2	4.4	Premium	Outdoor Non-Cutoff and Semi-Cutoff Wall-Mounted Area Luminaires
WPM-20/45K	PLPV4ZA5HEEZ	4.4	Premium	Outdoor Non-Cutoff and Semi-Cutoff Wall-Mounted Area Luminaires
WPM-20/50K	PL51VH3SGX11	4.4	Premium	Outdoor Non-Cutoff and Semi-Cutoff Wall-Mounted Area Luminaires
WPM-20/57K	PL4TURPX3BDM	4.4	Premium	Outdoor Non-Cutoff and Semi-Cutoff Wall-Mounted Area Luminaires



NOTES:

¹ Quick ship: 4000K & 5000K. Other CCTs may require a lead time or be special orde20

© 2020 Aleo Lighting, Inc. All rights reserved. For informational purposes only. Reproduction in whole or part is prohibited without prior written consent of the copyright owner. The information presented in this document does not form part of any quotation or contract, is believed to be accurate and reliable and may be changed without notice. No liability will be accepted by the publisher for any consequences of its use. Aleo Lighting reserves the rights make changes in specification at any time without notice.



Aleo Lighting, Inc.
 www.aleoighting.com
 13924 Bettencourt St.
 Cerritos, CA 90703
 Ph: 877-358-8825