

I/O module - AXL F AO4 1H - 2688527

Please be informed that the data shown in this PDF Document is generated from our Online Catalog. Please find the complete data in the user's documentation. Our General Terms of Use for Downloads are valid (<http://phoenixcontact.com/download>)



Axioline F, Analog output module, Analog outputs: 4, 0 V ... 5 V, -5 V ... 5 V, 0 V ... 10 V, -10 V ... 10 V, 0 mA ... 20 mA, 4 mA ... 20 mA, connection method: 2-conductor, transmission speed in the local bus: 100 Mbps, degree of protection: IP20, including bus base module and Axioline F connectors

Product Description


The module is designed for use within an Axioline F station. It is used to output analog voltage and current signals.

Your advantages

- ✓ 4 analog output channels for the connection of either voltage or current signals
- ✓ Bipolar voltage outputs, unipolar current outputs
- ✓ Connection of actuators in 2-conductor technology
- ✓ Voltage ranges: 0 V ... 10 V, ± 10 V, 0 V ... 5 V, ± 5 V
- ✓ Current ranges: 0 mA ... 20 mA, 4 mA ... 20 mA
- ✓ Short-circuit-proof outputs
- ✓ No derating in all ranges
- ✓ Short signal rise times
- ✓ Driving of high loads
- ✓ Device rating plate stored



Key Commercial Data

Packing unit	1 pc
GTIN	 4 046356 744256
GTIN	4046356744256
Weight per Piece (excluding packing)	200.000 g
Custom tariff number	85389091
Country of origin	Germany

I/O module - AXL F AO4 1H - 2688527

Technical data

Dimensions

Width	35 mm
Height	126.1 mm
Depth	54 mm
Note on dimensions	The depth is valid when a TH 35-7,5 DIN rail is used (according to EN 60715).

Ambient conditions

Ambient temperature (operation)	-25 °C ... 60 °C
Ambient temperature (storage/transport)	-40 °C ... 85 °C
Permissible humidity (operation)	5 % ... 95 % (non-condensing)
Permissible humidity (storage/transport)	5 % ... 95 % (non-condensing)
Air pressure (operation)	70 kPa ... 106 kPa (up to 3000 m above sea level)
Air pressure (storage/transport)	70 kPa ... 106 kPa (up to 3000 m above sea level)
Degree of protection	IP20

Connection data

Designation	Axioline F connector
Connection method	Push-in connection
Note on the connection method	Please observe the information provided on conductor cross sections in the "Axioline F: system and installation" user manual.
Conductor cross section solid min.	0.2 mm ²
Conductor cross section solid max.	1.5 mm ²
Conductor cross section flexible min.	0.2 mm ²
Conductor cross section flexible max.	1.5 mm ²
Conductor cross section AWG min.	24
Conductor cross section AWG max.	16
Stripping length	8 mm

General

Mounting type	DIN rail
Color	traffic grey A RAL 7042
Net weight	145 g
Note on weight specifications	with connectors and bus base module
Mounting position	any (no temperature derating)

Interfaces

Designation	Axioline F local bus
Number	2
Connection method	Bus base module

I/O module - AXL F AO4 1H - 2688527

Technical data

Interfaces

Transmission speed	100 Mbps
--------------------	----------

Axioline potentials

Designation	Axioline F local bus supply (U_{BUS})
Supply voltage	5 V DC (via bus base module)
Current consumption	typ. 120 mA
	max. 150 mA
Designation	Supply for analog modules (U_A)
Supply voltage	24 V DC
Supply voltage range	19.2 V DC ... 30 V DC (including all tolerances, including ripple)
Current consumption	typ. 60 mA (4 voltage channels, 10 V output)
	max. 85 mA (4 voltage channels, 10 V output)
	max. 110 mA (4 current channels, 20 mA output, 500 Ω load)
	max. 125 mA (4 current channels, 24 mA output, 500 Ω load)
Power consumption	max. 3 W (at U_A)
Protective circuit	Surge protection electronic (35 V, 0.5 s)
	Reverse polarity protection Polarity protection diode
	Transient protection Suppressor diode
Power consumption	typ. 2.04 W (at U_{BUS} and U_A)
	max. 3.75 W (at U_{BUS} and U_A)

Analog outputs

Number of outputs	4
Connection method	Push-in connection
Connection technology	2-conductor
Note regarding the connection technology	shielded, twisted pair
Output name	Analog outputs
D/A converter resolution	16 bit
Type of protection	Short-circuit and overload protection
	Transient protection
Protective circuit/component	electronic
	Suppressor diode
Data formats	IB IL, S7-compatible
Representation of output values	16 bits (15 bits + sign)
Process data update	140 μ s
Current output signal	0 mA ... 20 mA
	4 mA ... 20 mA
Load/output load current output	\leq 500 Ω

I/O module - AXL F AO4 1H - 2688527

Technical data

Analog outputs

Voltage output signal	0 V ... 5 V
	-5 V ... 5 V
	0 V ... 10 V
	-10 V ... 10 V
Load/output load voltage output	≥ 1 kΩ
Precision	typ. 0.1 % (of output range final value)

Electrical isolation

Test section	5 V supply of the local bus (U _{Bus}) / 24 V supply (I/Os) 500 V AC 50 Hz 1 min.
	5 V supply (logic)/analog outputs 500 V AC 50 Hz 1 min.
	5 V supply of the local bus (U _{Bus}) / functional ground 500 V AC 50 Hz 1 min.
	24 V supply (I/O)/analog outputs 500 V AC 50 Hz 1 min.
	24 V supply (I/O)/functional ground 500 V AC 50 Hz 1 min.
	Analog outputs/functional ground 500 V AC 50 Hz 1 min.

Standards and Regulations

Immunity to ESD	Noise immunity test in accordance with EN 61000-6-2 Electrostatic discharge (ESD) EN 61000-4-2/IEC 61000-4-2 Criterion B, 6 kV contact discharge, 8 kV air discharge
Immunity to EF	Noise immunity test in accordance with EN 61000-6-2 Electromagnetic fields EN 61000-4-3/IEC 61000-4-3 Criterion A, Field intensity: 10 V/m
Immunity to burst	Noise immunity test in accordance with EN 61000-6-2 Fast transients (burst) EN 61000-4-4/IEC 61000-4-4 Criterion B, 2 kV
Immunity to surge	Noise immunity test in accordance with EN 61000-6-2 Transient overvoltage (surge) EN 61000-4-5/IEC 61000-4-5 Criterion B, supply lines DC: ±0.5 kV/±0.5 kV (symmetrical/asymmetrical), ±1 kV to shielded I/O cables
Immunity to conducted interference	Noise immunity test in accordance with EN 61000-6-2 Conducted interference EN 61000-4-6/IEC 61000-4-6 Criterion A, Test voltage 10 V
Interference emission	Noise emission test according to EN 61000-6-3 Class B
Mechanical tests	Vibration resistance in acc. with EN 60068-2-6/IEC 60068-2-6 5g
	Shock in acc. with EN 60068-2-27/IEC 60068-2-27 30g
	Continuous shock according to EN 60068-2-27/IEC 60068-2-27 10g
Protection class	III (IEC 61140, EN 61140, VDE 0140-1)

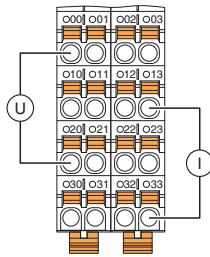
Environmental Product Compliance

REACH SVHC	Lead 7439-92-1
China RoHS	Environmentally Friendly Use Period = 50 years
	For details about hazardous substances go to tab "Downloads", Category "Manufacturer's declaration"

I/O module - AXL F AO4 1H - 2688527

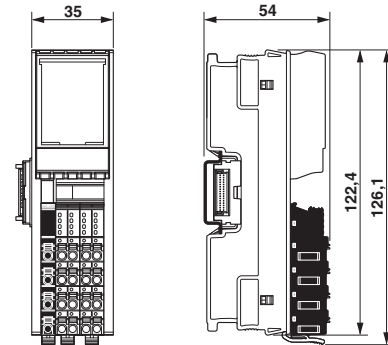
Drawings

Connection diagram

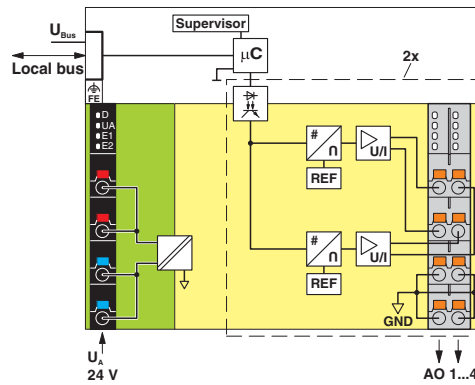


Connection for voltage and current output

Dimensional drawing



Block diagram



Internal wiring of the terminal points

Classifications

eCl@ss

eCl@ss 10.0.1	27242601
eCl@ss 11.0	27242601
eCl@ss 4.0	27240400
eCl@ss 4.1	27240400
eCl@ss 5.0	27242200
eCl@ss 5.1	27242600
eCl@ss 6.0	27242600
eCl@ss 7.0	27242601
eCl@ss 8.0	27242601

I/O module - AXL F AO4 1H - 2688527

Classifications

eCl@ss

eCl@ss 9.0	27242601
------------	----------

ETIM

ETIM 3.0	EC001599
ETIM 4.0	EC001599
ETIM 5.0	EC001596
ETIM 6.0	EC001596
ETIM 7.0	EC001596

UNSPSC

UNSPSC 6.01	43172015
UNSPSC 7.0901	43201404
UNSPSC 11	39121311
UNSPSC 12.01	39121311
UNSPSC 13.2	32151602
UNSPSC 18.0	32151602
UNSPSC 19.0	32151602
UNSPSC 20.0	32151602
UNSPSC 21.0	32151602

Approvals

Approvals

Approvals

KR / NK / ABS / BSH / RINA / LR / PRS / BV / EAC / DNV GL / UL Listed / cUL Listed / cULus Listed










Ex Approvals

Approval details

KR		http://www.krs.co.kr/eng/main/main.aspx	HMB17372-AC002
----	--	---	----------------

I/O module - AXL F AO4 1H - 2688527

Approvals

NK		http://www.classnk.or.jp/hp/en/	14A006
ABS		http://www.eagle.org/eagleExternalPortalWEB/	18-HG1767360-PDA
BSH			840
RINA		http://www.rina.org/en	ELE030120XG
LR		http://www.lr.org/en	LR2001902TA
PRS		http://www.prs.pl/	TE/2239/880590/19
BV		http://www.veristar.com/portal/veristarinfo/generalinfo/approved/approvedProducts/equipmentAndMaterials	36433/B1 BV
EAC			EAC-Zulassung
DNV GL		https://approvalfinder.dnvgl.com/	TAA00000DF
UL Listed		http://database.ul.com/cgi-bin/XYV/template/LISEXT/1FRAME/index.htm	FILE E 238705
cUL Listed		http://database.ul.com/cgi-bin/XYV/template/LISEXT/1FRAME/index.htm	FILE E 238705

I/O module - AXL F AO4 1H - 2688527

Approvals

cULus Listed



Accessories

Accessories

Device marking

Insert label - EMT (35X28)R - 0801602



Insert label, Roll, white, unlabeled, can be labeled with: THERMOMARK ROLLMASTER 300/600, THERMOMARK X1.2, THERMOMARK ROLL X1, THERMOMARK ROLL 2.0, THERMOMARK ROLL, mounting type: snapped into marker carrier, lettering field size: 35 x 28 mm, Number of individual labels: 500

DIN rail connector

Bus connector - AXL F BS H - 2700992



Axiline F bus base module for housing type H

Shield connection

Shield connection - AXL SHIELD SET - 2700518



Axiline shield connection set (contains 2 shield bus holders and 2 SK 5 shield connection clamps)

Terminal marking

I/O module - AXL F AO4 1H - 2688527

Accessories

Zack marker strip - ZB 20,3 AXL UNPRINTED - 0829579



Zack marker strip for Axioline F (device labeling), in 2 x 20.3 mm pitch, unprinted, 25-section, for individual labeling with B-STIFT 0.8, X-PEN, or CMS-P1-PLOTTER

Zack Marker strip, flat - ZBF 10/5,8 AXL UNPRINTED - 0829580



Zack Marker strip, flat, Strip, white, unlabeled, can be labeled with: PLOTMARK, CMS-P1-PLOTTER, mounting type: snap into flat marker groove, for terminal block width: 10.15 mm, lettering field size: 4 of 10.15 x 5 mm and 1 of 5.8 x 5 mm, Number of individual labels: 50