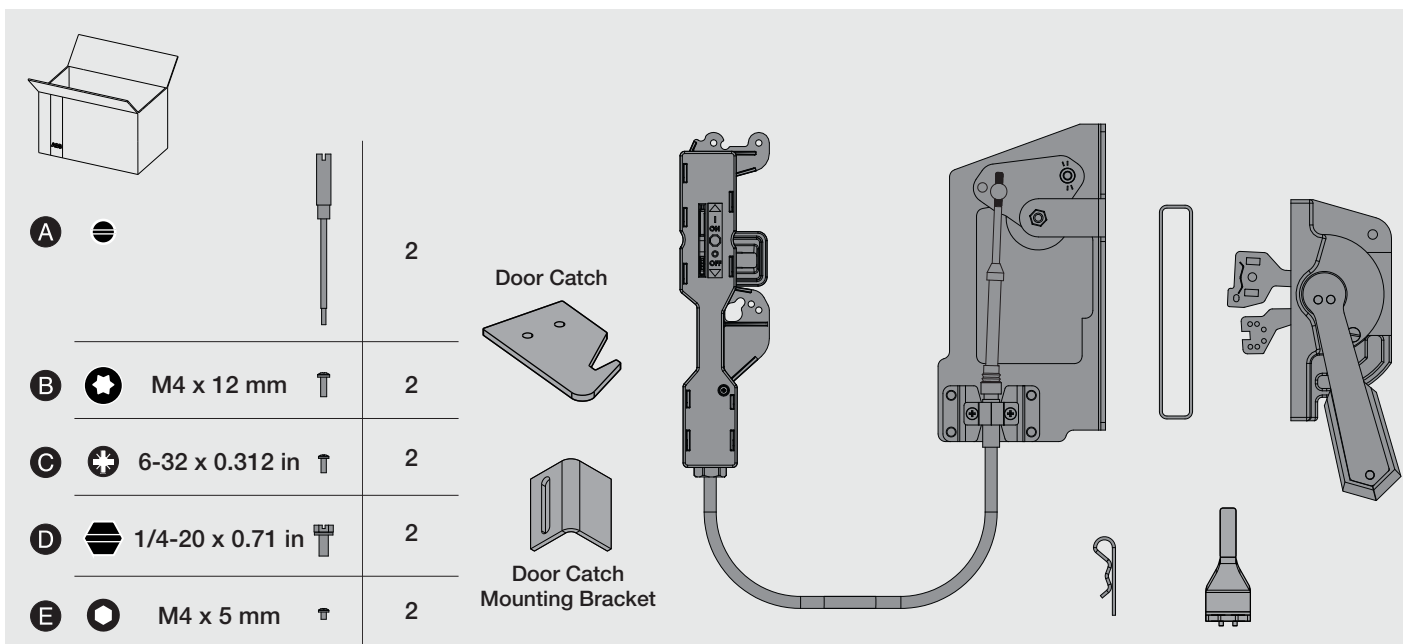
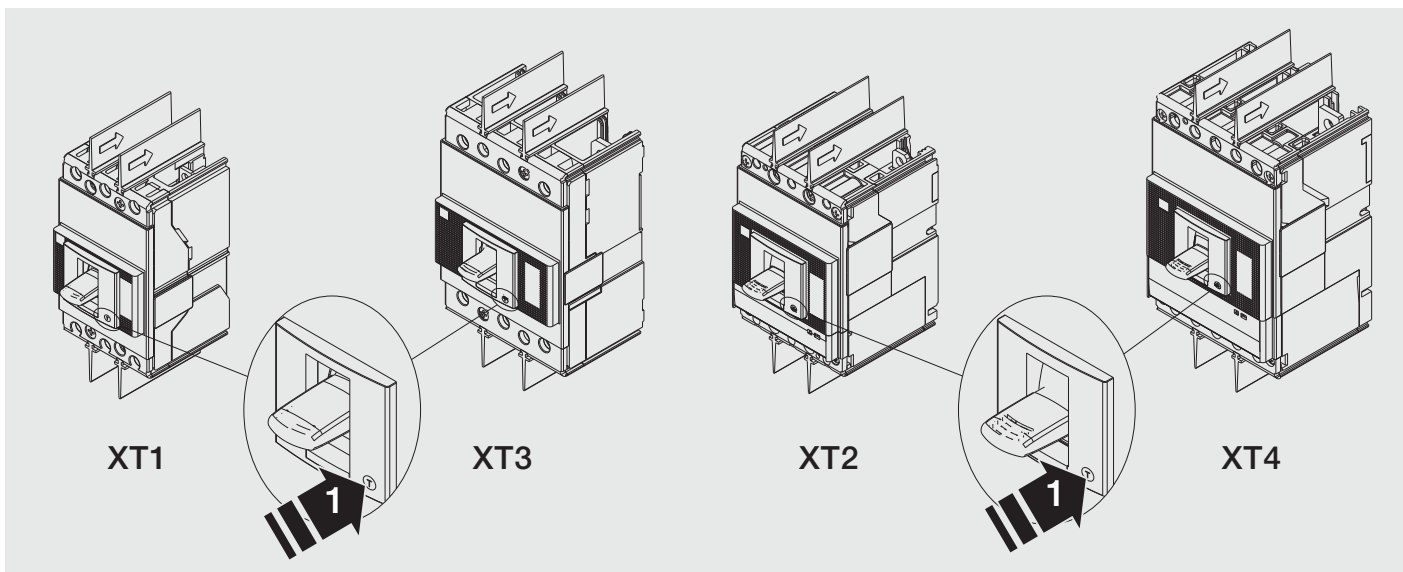
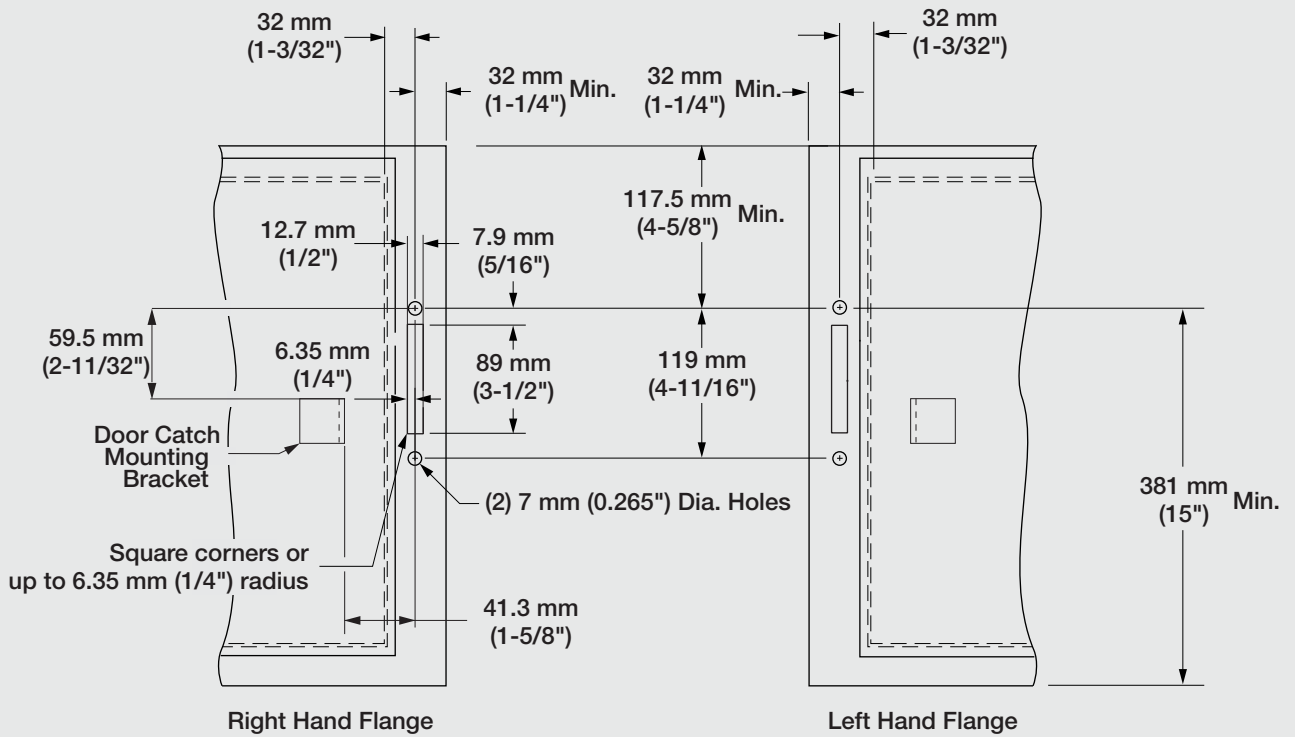
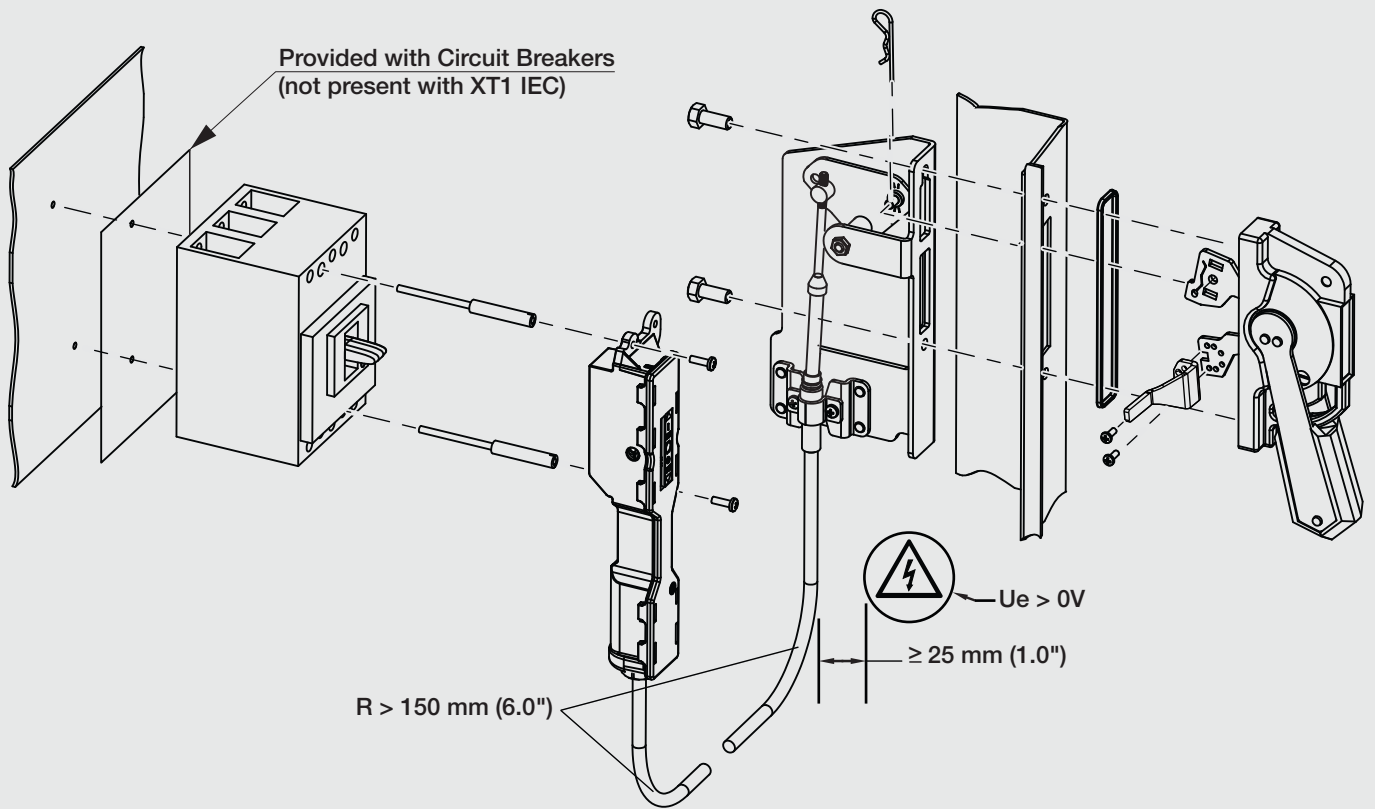


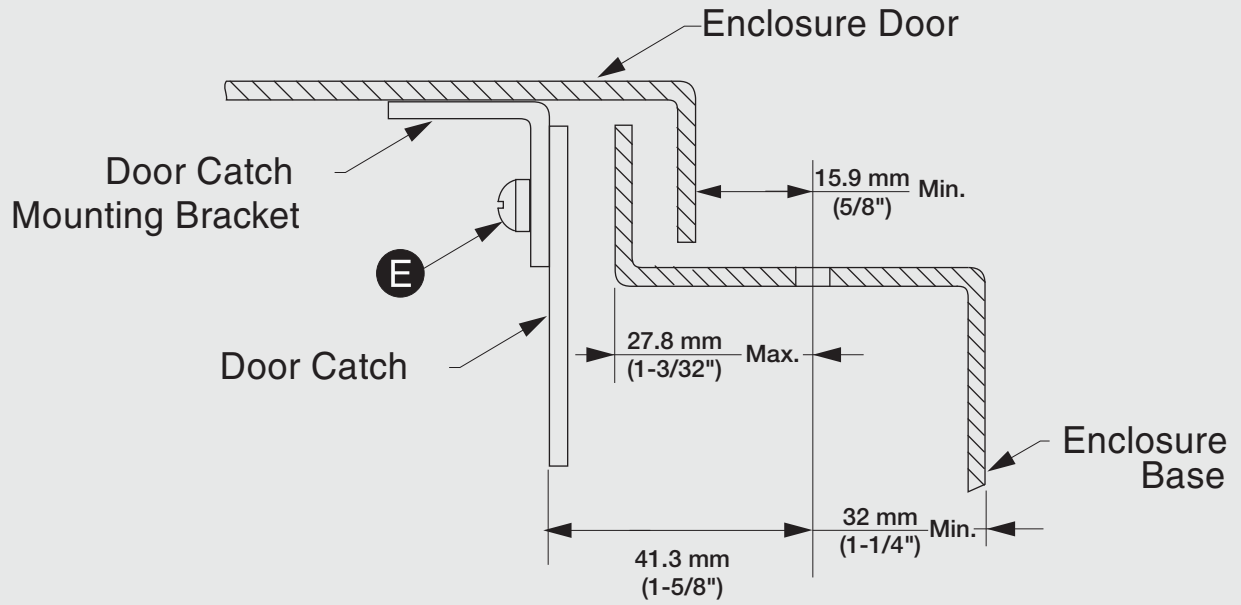
SACE Tmax XT

Flange handle - XT1-XT2-XT3-XT4 three poles

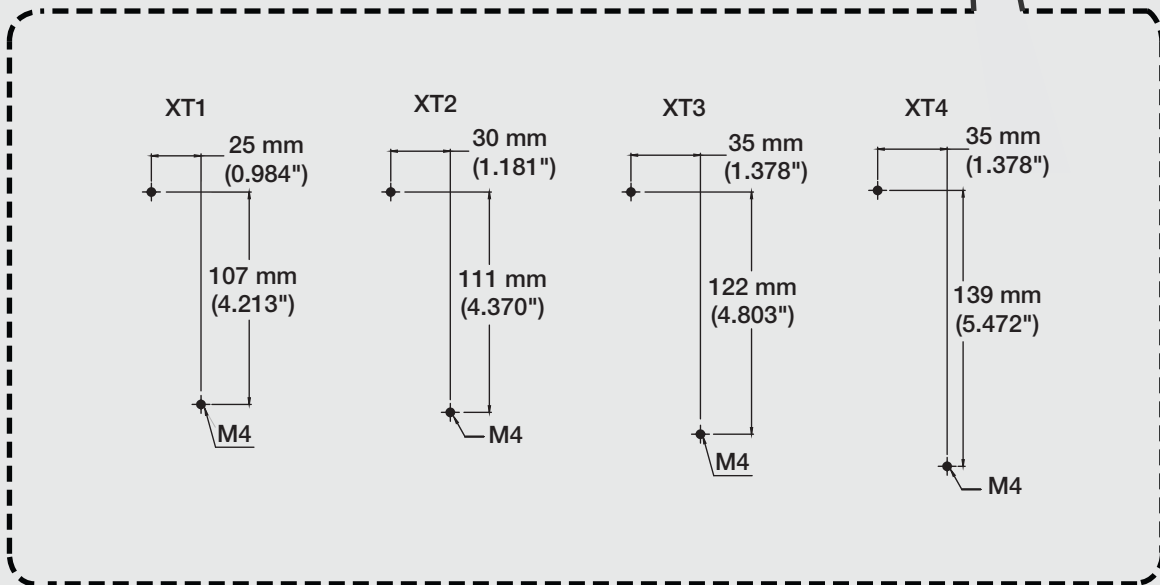
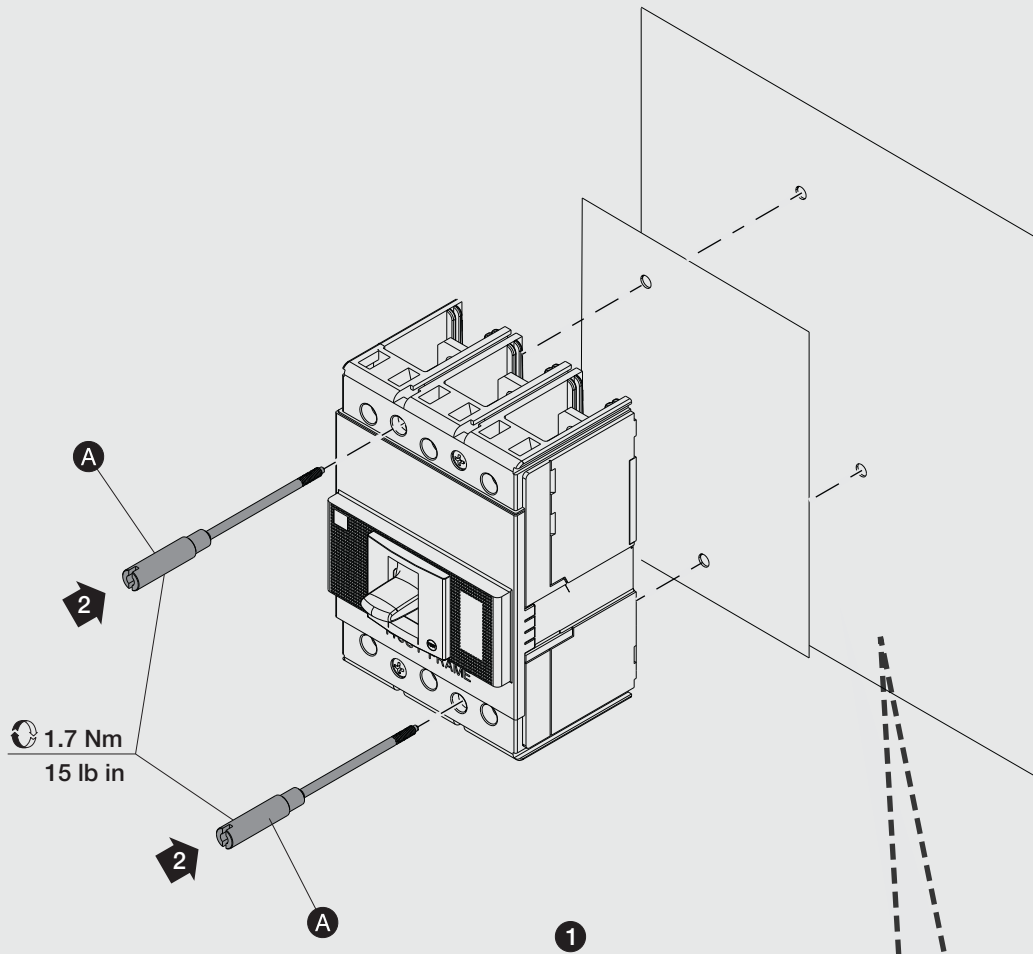
XT1-XT2-XT3-XT4



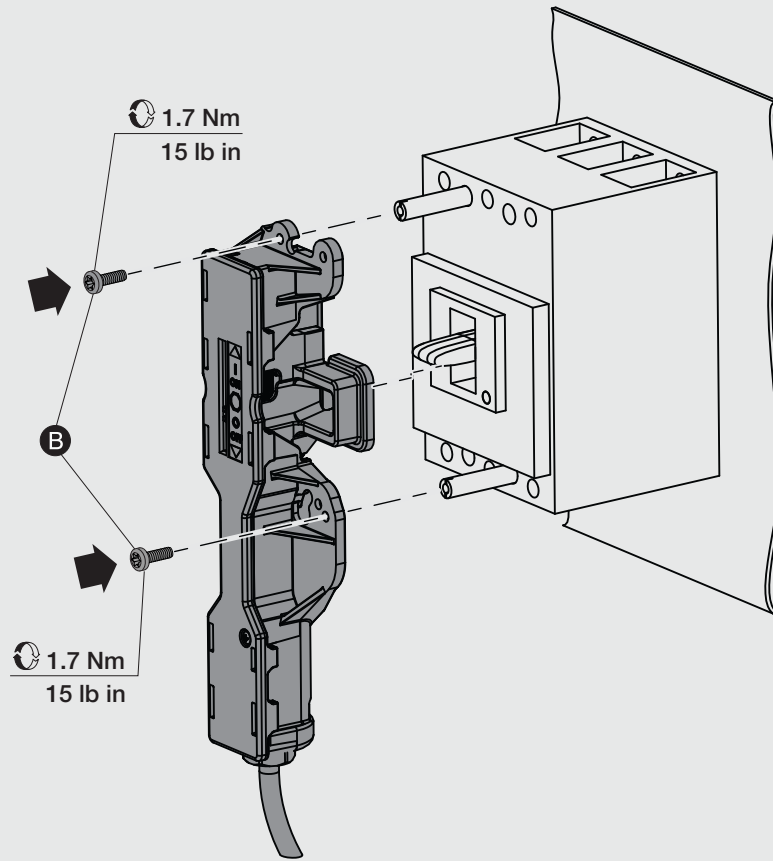




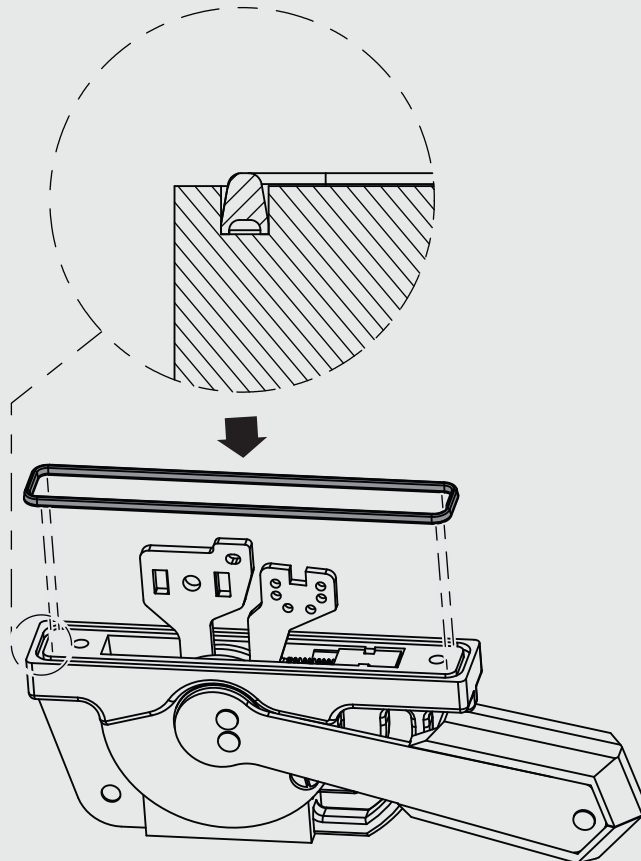
The door catch mounting bracket is provided with projections for welding; however, holes can be drilled in the bracket using the projections for locating hole centers. After locating the centers, use the bracket as a template and drill corresponding holes in the enclosure door. Fasten the bracket with hardware supplied by user. If properly assembled, the hardware should not be accessible for tampering with by unauthorized personnel.



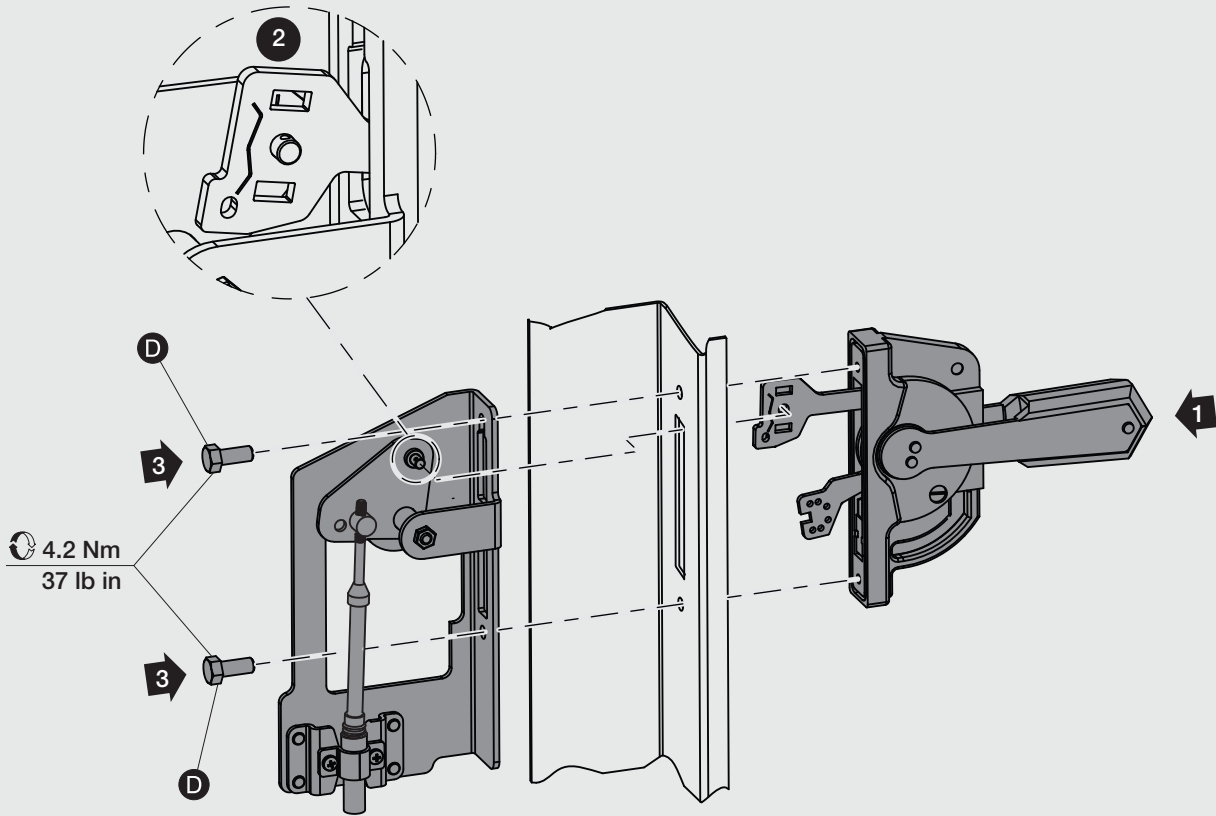
D



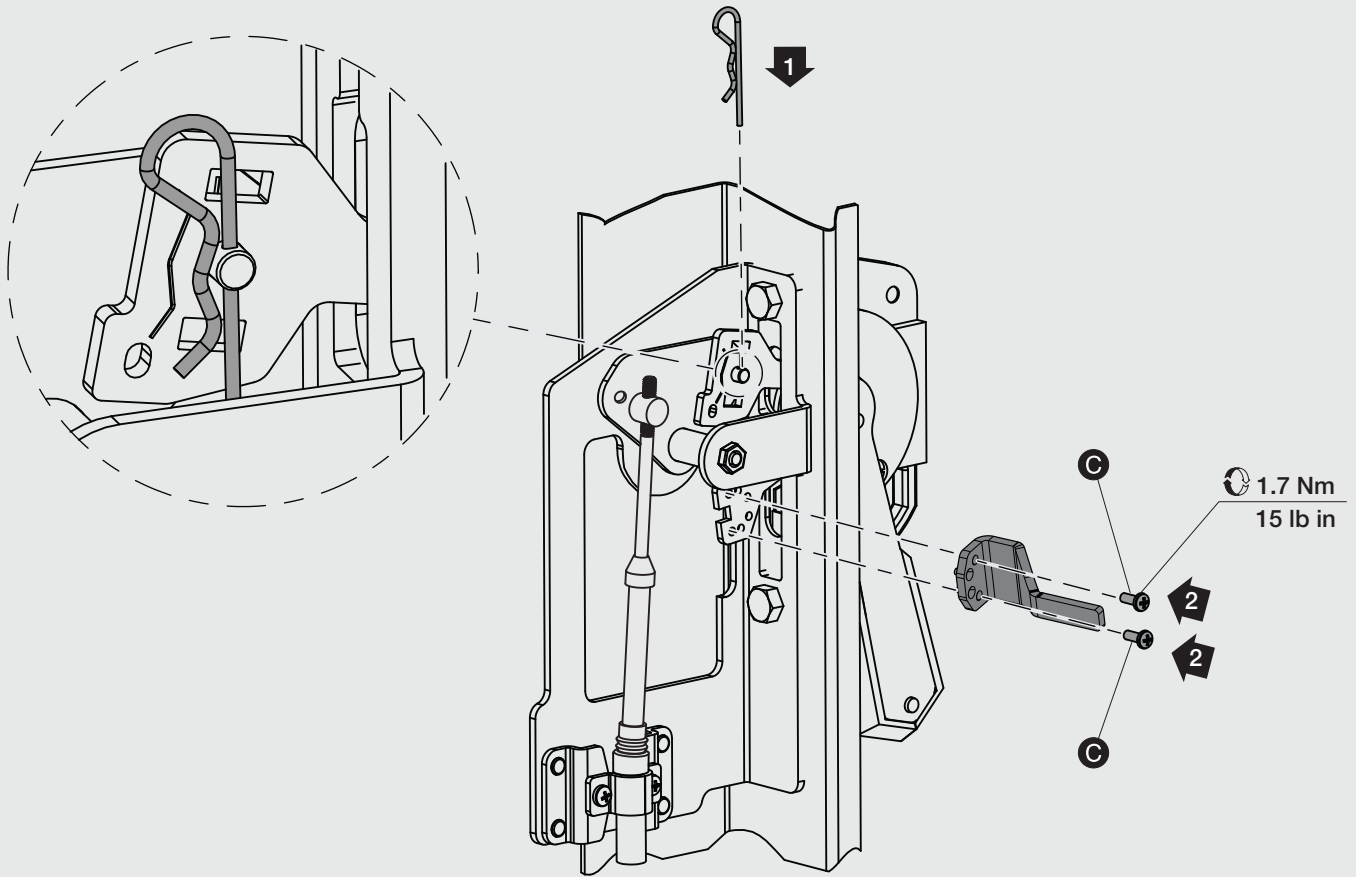
E



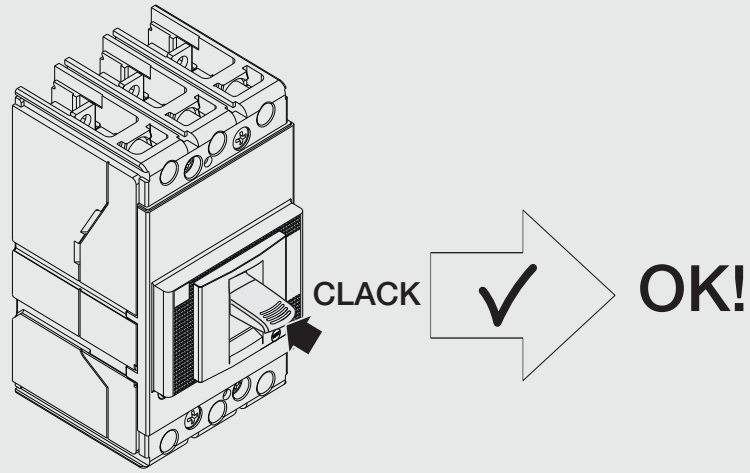
F



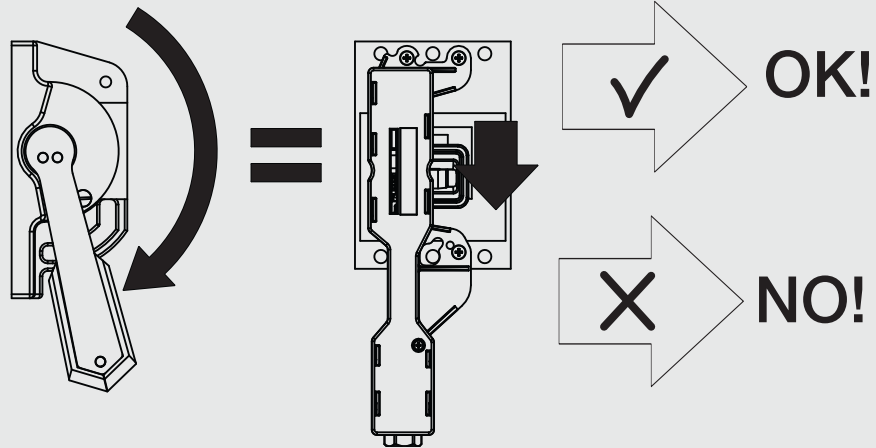
G



1 - Trip Breaker

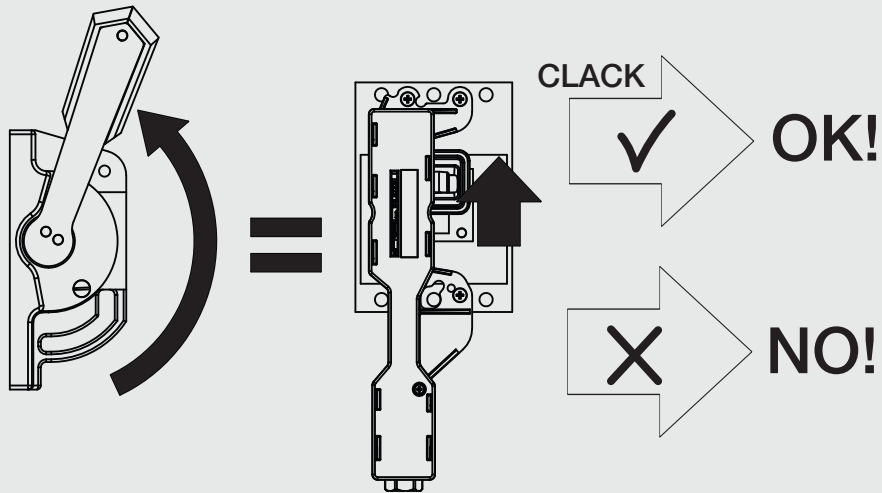


2 - Reset Breaker



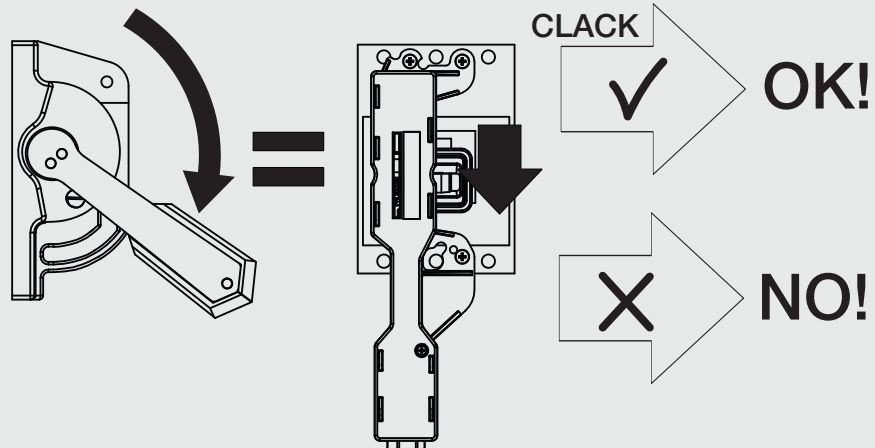
Vedi figura I
See figure I
Siehe Abb. I
Voir figure I
Véase figura I

3 - Breaker On



Vedi figura J
See figure J
Siehe Abb. J
Voir figure J
Véase figura J

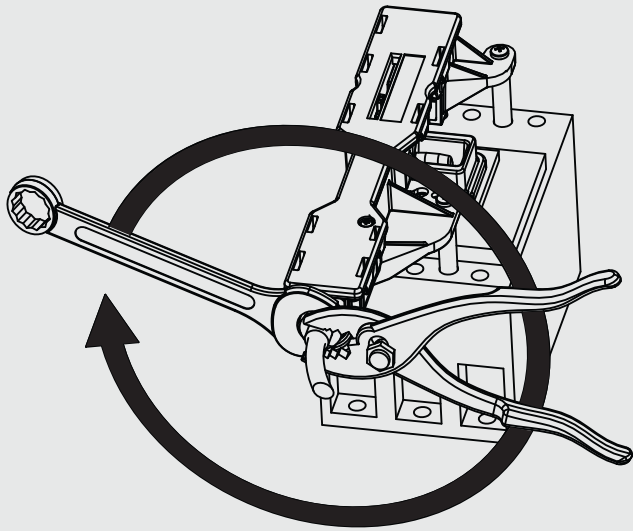
4 - Breaker Off



Vedi figura I
See figure I
Siehe Abb. I
Voir figure I
Véase figura I

I

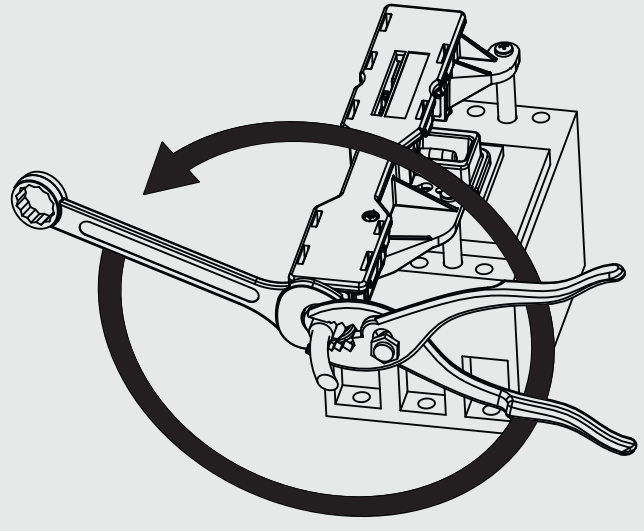
CABLE REGULATION



Ripetere H
 Repeat H
 Wiederholen H
 Répéter H
 Repetir H

J

CABLE REGULATION



Ripetere H
 Repeat H
 Wiederholen H
 Répéter H
 Repetir H

K

LEVER POSITION

