

# PDC-3PT-138MS-FS/MINFS - T distributor



1527830

<https://www.phoenixcontact.com/us/products/1527830>

Please be informed that the data shown in this PDF document is generated from our online catalog. Please find the complete data in the user documentation. Our general terms of use for downloads are valid.



T distributor, 3-position, Plug straight, on Socket straight and Socket straight 7/8"-16UNF, coding: A

## Commercial data

Item number	1527830
Packing unit	1 pc
Sales key	*****
Product key	BF1INB
GTIN	4063151997595
Weight per piece (including packing)	22.22 g
Weight per piece (excluding packing)	22.22 g
Country of origin	MX

1527830

<https://www.phoenixcontact.com/us/products/1527830>

## Technical data

### Product properties

Application	Power supply
Number of positions	3
Shielded	no

### Material specifications

Material	Anodized aluminum
Flammability rating according to UL 94	V0
Material of grip body	Thermoplastic
Contact material	CuZn
Contact surface material	Au
Contact carrier material	Thermoplastic

### Electrical properties

Nominal voltage $U_N$	600 V AC
Nominal current $I_N$	30 A (15A drop 7/8" connector)

### Connection data

#### Conductor connection

Tightening torque	1.12 Nm (7/8" connector)
-------------------	--------------------------

### Connector

#### Connection 2

Type	Socket straight
------	-----------------

#### Connection 3

Type	Socket straight 7/8"-16UNF
Coding type	A

### Environmental and real-life conditions

#### Ambient conditions

Degree of protection	IP67
Ambient temperature (operation)	-40 °C ... 90 °C (Plug / socket)

### Standards and regulations

Standards/specifications	UL 2237
Note	SCCR 65KA
Standard designation	Vibration
Standards/specifications	MIL-STD-202 method 204
Standard designation	Thermal shock
Standards/specifications	MIL-STD-202 method 207

# PDC-3PT-138MS-FS/MINFS - T distributor



1527830

<https://www.phoenixcontact.com/us/products/1527830>

Standard designation	48 hour salt spray
Standards/specifications	MIL-STD-202 method 101

# PDC-3PT-138MS-FS/MINFS - T distributor

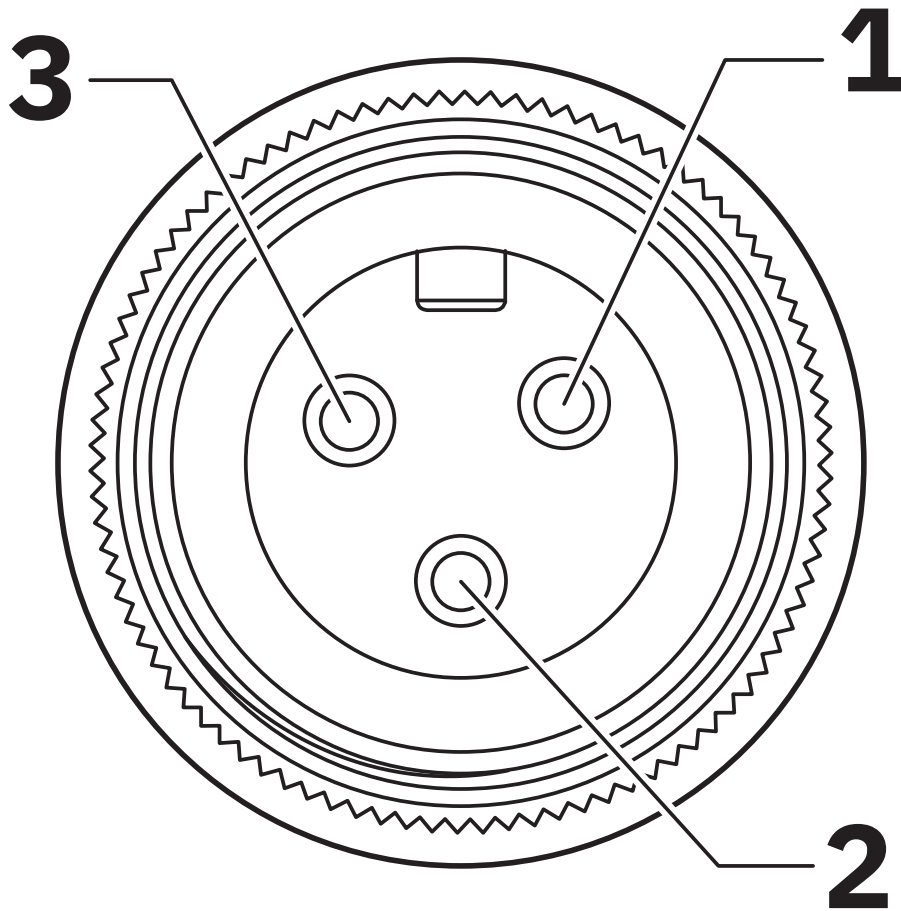


1527830

<https://www.phoenixcontact.com/us/products/1527830>

## Drawings

Schematic diagram



Pin assignment, plug, 1-3/8"-16UNF, 3-pos., view of male side

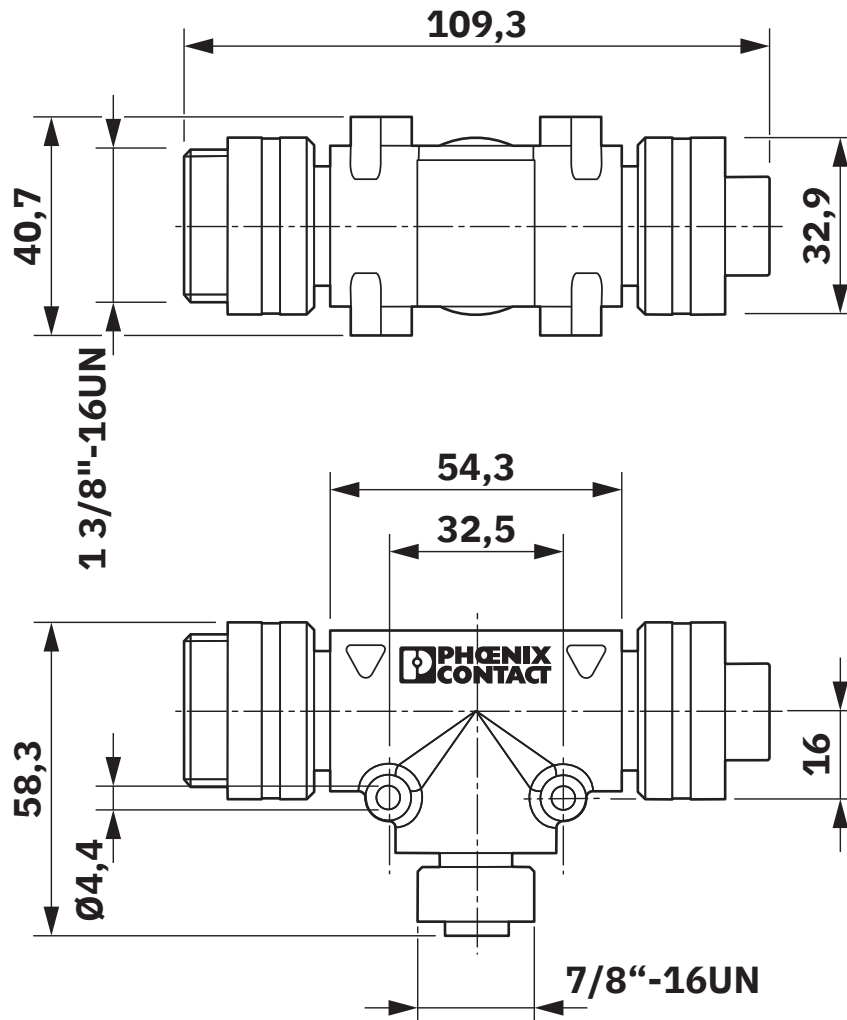
# PDC-3PT-138MS-FS/MINFS - T distributor



1527830

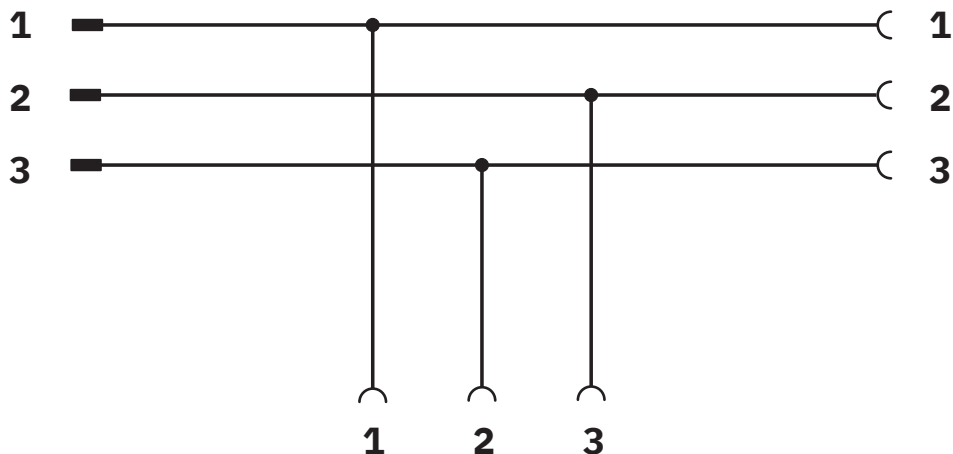
<https://www.phoenixcontact.com/us/products/1527830>

Dimensional drawing



1-3/8" / 7/8" T-distributor

Circuit diagram

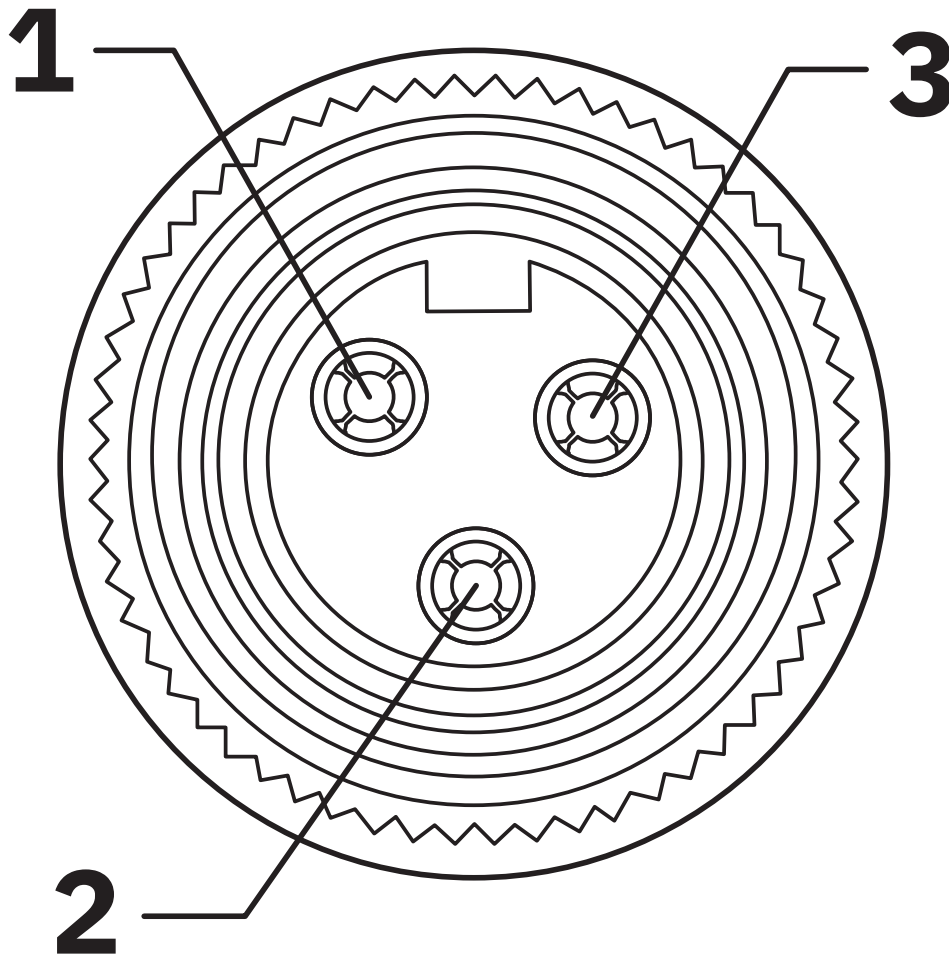


# PDC-3PT-138MS-FS/MINFS - T distributor

1527830

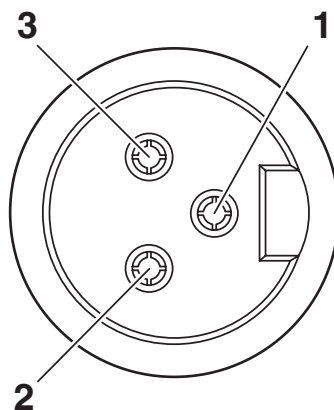
<https://www.phoenixcontact.com/us/products/1527830>

Schematic diagram



Pin assignment, socket, 1-3/8"-16UNF, 3-pos., view of female side

Schematic diagram



Pin assignment, socket, 7/8"-16UNF, 3-pos., view of female side

# PDC-3PT-138MS-FS/MINFS - T distributor



1527830

<https://www.phoenixcontact.com/us/products/1527830>

## Classifications

### ECLASS

ECLASS-11.0	27060311
ECLASS-13.0	27060311

Phoenix Contact 2024 © - all rights reserved

<https://www.phoenixcontact.com>

Phoenix Contact USA  
586 Fulling Mill Road  
Middletown, PA 17057, United States  
(+717) 944-1300  
[info@phoenixcon.com](mailto:info@phoenixcon.com)