

HN 3R SIDE-MOUNT FILTER FANS



HN04 413



HN05 513



HN08 513



HN09 513



HN12 513



HN12 523

INDUSTRY STANDARDS

UL/cUL Listed; File No. E482010

CE

Type 3R standard on all models

IP55 standard option on all models except HN04

APPLICATION

- Industrial automation
- Automotive assembly
- Package handling equipment
- Food and beverage process controls
- Wind energy systems

FEATURES

- Click-fit design quickly installs into enclosure wall; no tools or screws required
- Enclosure side wall mounting
- Reverse airflow option on items ending with “R” available to push/pull air through higher static pressure
- Standard rope gasket provides proper seal to the enclosure
- Similar cut-out sizes as other filter fan manufacturers
- Terminal block connections
- Optional thermostat available to save energy and extend service life

SPECIFICATIONS

- Size range from 4 in. (102 mm) to 12 in. (305 mm)
- Free air flow from 15 CFM (26 m³/hr.) to 507 CFM (861 m³/hr.)
- Service life hours from 40,000 to 98,000 hours
- Operating temperature range -14 F/-10 C to 131 F/55 C

FINISH

- RAL 9005 black, UV-resistant plastic

Performance Data **HN04 3R Filter Fans**

ELECTRICAL DATA			
Rated Voltage	115	230	24*
Frequency (Hz)	50/60	50/60	—
Nominal Current Maximum (Amps)	0.15/0.13	0.08/0.07	0.61
Power Consumption Maximum (Watts)	12/10	12/11	15
Power Connection		Lead Wires	
TYPE 3R / IP54 FILTER FANS			
RAL 9005 Black:			
Catalog Number	HN0416413	HN0426413	HN0424413
Free Airflow (CFM / m ³ /hr.)	15/26	15/26	32/55
Airflow with Exhaust Grille (CFM / m ³ /hr.)	11/19	11/19	21/36
FILTER FAN UNIT CONSTRUCTION			
Fan RPM	3010	3010	6270
Sound Pressure (dBA at 50/60 Hz)	37/42	37/42	59
Operating Temperature Range:			
Maximum (°F / °C)	131/55	131/55	131/55
Minimum (°F / °C)	14/-10	14/-10	14/-10
Service Life (hours) at 40 C	40,000	40,000	60,500
Unit Dimensions - H x W x D (in. / mm)	4.19x4.19x3.15 / 107x107x80	4.19x4.19x3.15 / 107x107x80	4.19x4.19x3.06 / 107x107x78
Cutout Dimensions - H x W (in. / mm)	3.64x3.64 / 92.5x92.5	3.64x3.64 / 92.5x92.5	3.64x3.64 / 92.5x92.5
Weight (lb. / kg)	1.39/0.63	1.39/0.63	1.01/0.46
TYPE 3R / IP54 EXHAUST GRILLES			
RAL 9005 Black:			
Catalog Number	HN0400403	HN0400403	HN0400403
ACCESSORIES			
Replacement Filters:			
Filter Catalog Number	98136404R	98136404R	98136404R
Thermostat Catalog Number (°F)	THERM16F	THERM26F	—
Thermostat Catalog Number (°C)	THERM16C	THERM26C	—

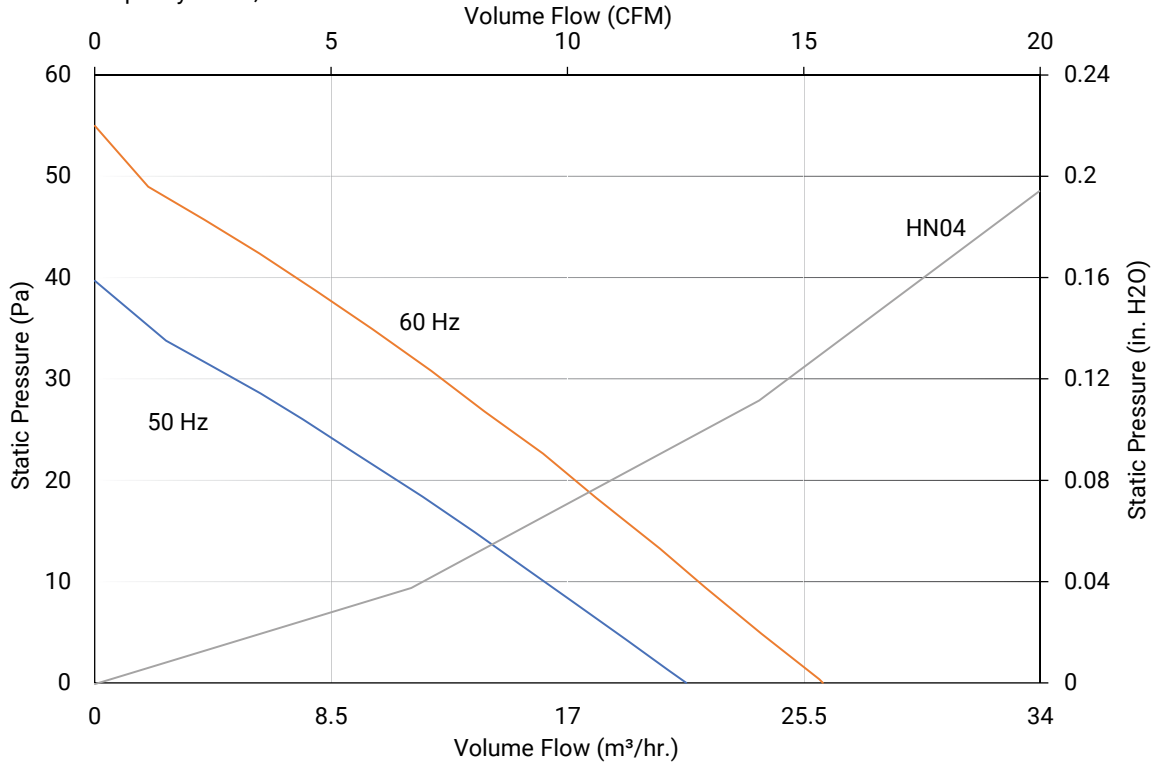
Above airflow rates at 60 Hz; see performance curves for airflow at 50 Hz and more details.

Unit depth is of the entire unit. Further dimensional detail below.

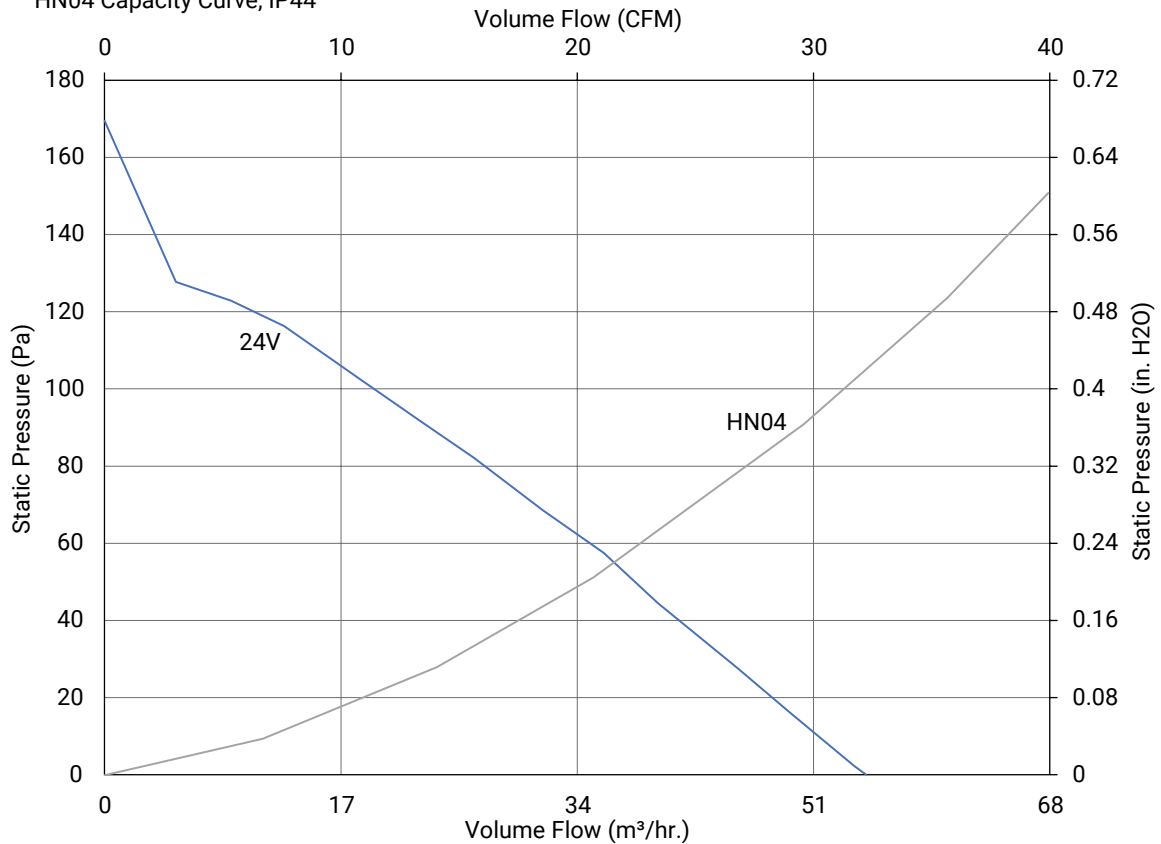
Exhaust Grilles sold separately.

* This indicates a DC Voltage. 24VDC fans are IP44.

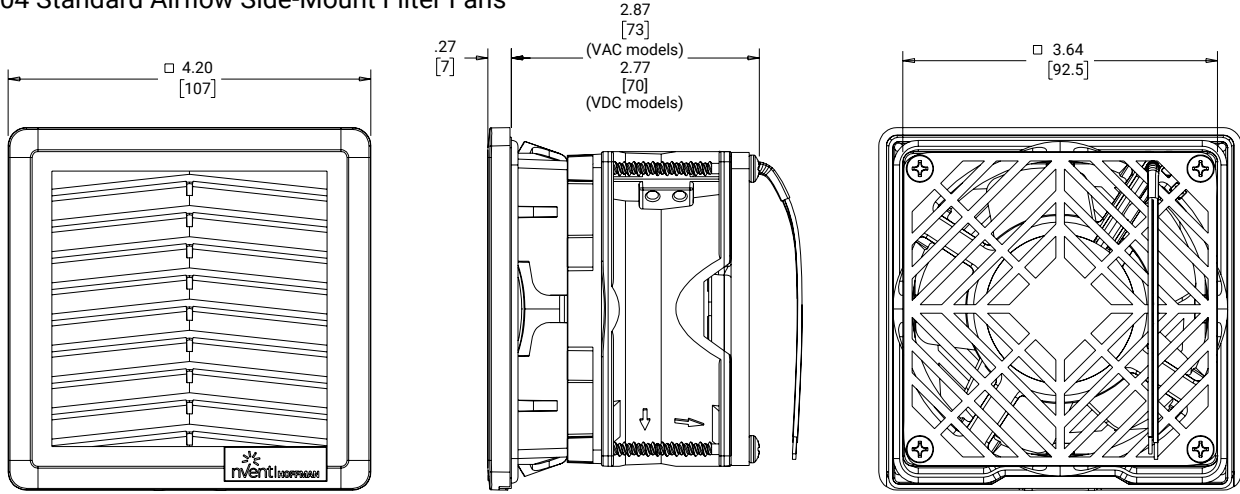
Performance Curve HN04 Models 115/230V 15 CFM (26 m³/hr.) 3R Side-Mount Filter Fans
HN04 Capacity Curve, IP54



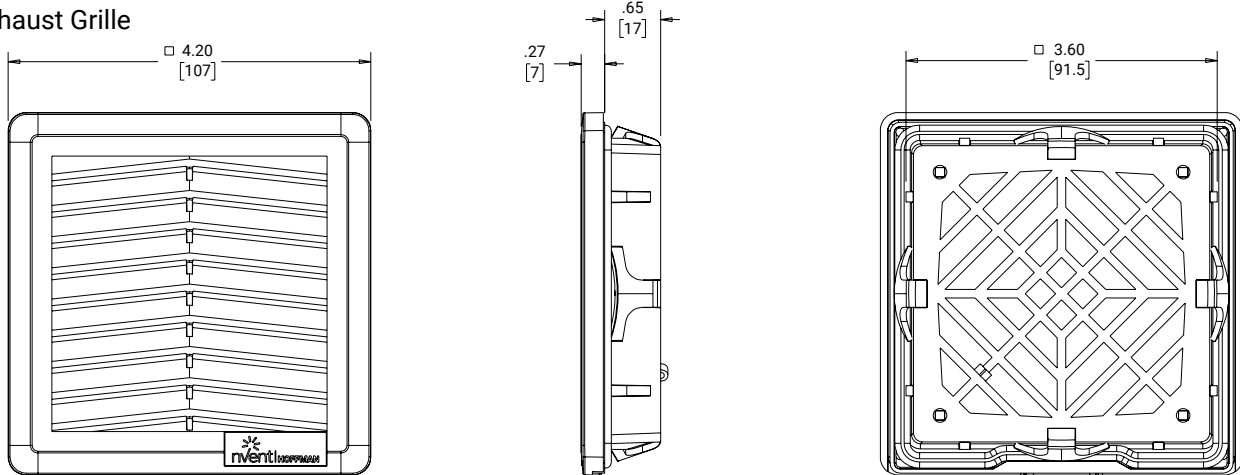
Performance Curve HN04 Models 24VDC 32 CFM (55 m³/hr.) 3R Side-Mount Filter Fans
HN04 Capacity Curve, IP44



HN04 Standard Airflow Side-Mount Filter Fans

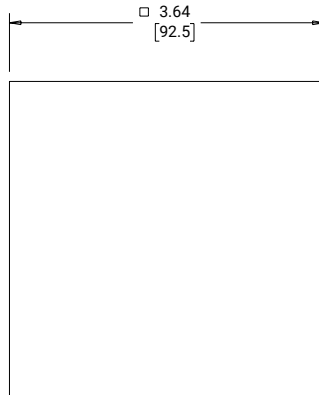


Exhaust Grille



Order exhaust grille kits separately.

89230654



Performance Data **HN05 3R Filter Fans**

ELECTRICAL DATA						
Rated Voltage	115	115 Reverse**	230	230 Reverse**	24*	24* Reverse**
Frequency (Hz)	50/60	50/60	50/60	50/60	—	—
Nominal Current Maximum (Amps)	0.26/0.22	0.26/0.22	0.13/0.10	0.13/0.10	0.31	0.31
Power Consumption Maximum (Watts)	19/17	19/17	18/16	18/16	7.4	7.4
Power Connection	Screwless Terminal Block					
TYPE 3R / IP55 FILTER FANS						
RAL 9005 Black:						
Catalog Number	HN0516513	HN0516513R	HN0526513	HN0526513R	HN0524513	HN0524513R
Free Airflow (CFM / m ³ /hr.)	35/60	33/56	35/60	33/56	21/35	31/53
Airflow with Exhaust Grille (CFM / m ³ /hr.)	22/38	23/40	22/38	23/40	14/24	21/36
FILTER FAN UNIT CONSTRUCTION						
Fan RPM	3100	3100	3100	3100	2860	2860
Sound Pressure (dBA at 50/60 Hz)	40/44	40/44	40/44	40/44	43	43
Operating Temperature Range:						
Maximum (°F / °C)	131/55	131/55	131/55	131/55	131/55	131/55
Minimum (°F / °C)	14/-10	14/-10	14/-10	14/-10	14/-10	14/-10
Service Life (hours) at 40 C	70,000	70,000	70,000	70,000	96,000	96,000
Unit Dimensions - H x W x D (in. / mm)	5.91x5.91x2.92 / 150x150x74					
Cutout Dimensions - H x W (in. / mm)	4.92x4.92 / 125x125					
Weight (lb. / kg)	2.12/0.96	2.12/0.96	2.12/0.96	2.12/0.96	1.17/0.53	1.17/0.53
TYPE 3R / IP55 EXHAUST GRILLES						
RAL 9005 Black:						
Catalog Number	HN0500503	HN0500503	HN0500503	HN0500503	HN0500503	HN0500503
ACCESSORIES						
Replacement Filters:						
Filter Catalog Number	98136405R	98136405R	98136405R	98136405R	98136405R	98136405R
Thermostat Catalog Number (°F)	THERM16F	THERM16F	THERM26F	THERM26F	—	—
Thermostat Catalog Number (°C)	THERM16C	THERM16C	THERM26C	THERM26C	—	—

Above airflow rates at 60 Hz; see performance curves for airflow at 50 Hz and more details.

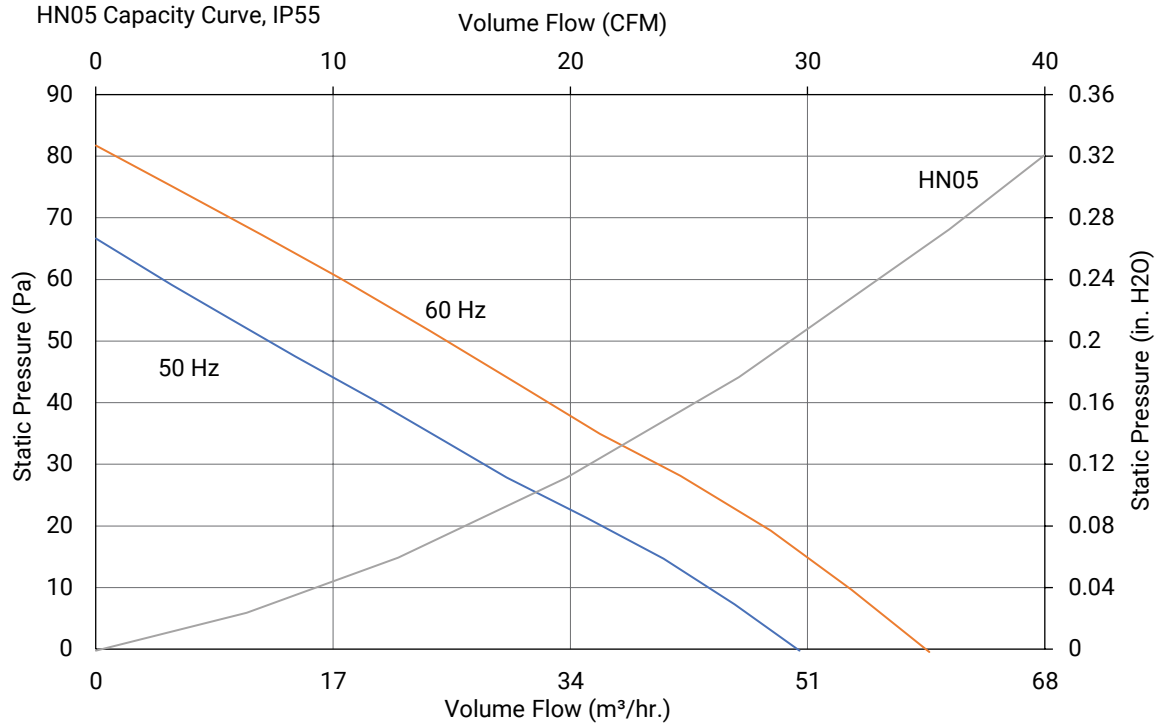
Unit depth is of the entire unit. Further dimensional detail below.

Exhaust Grilles sold separately.

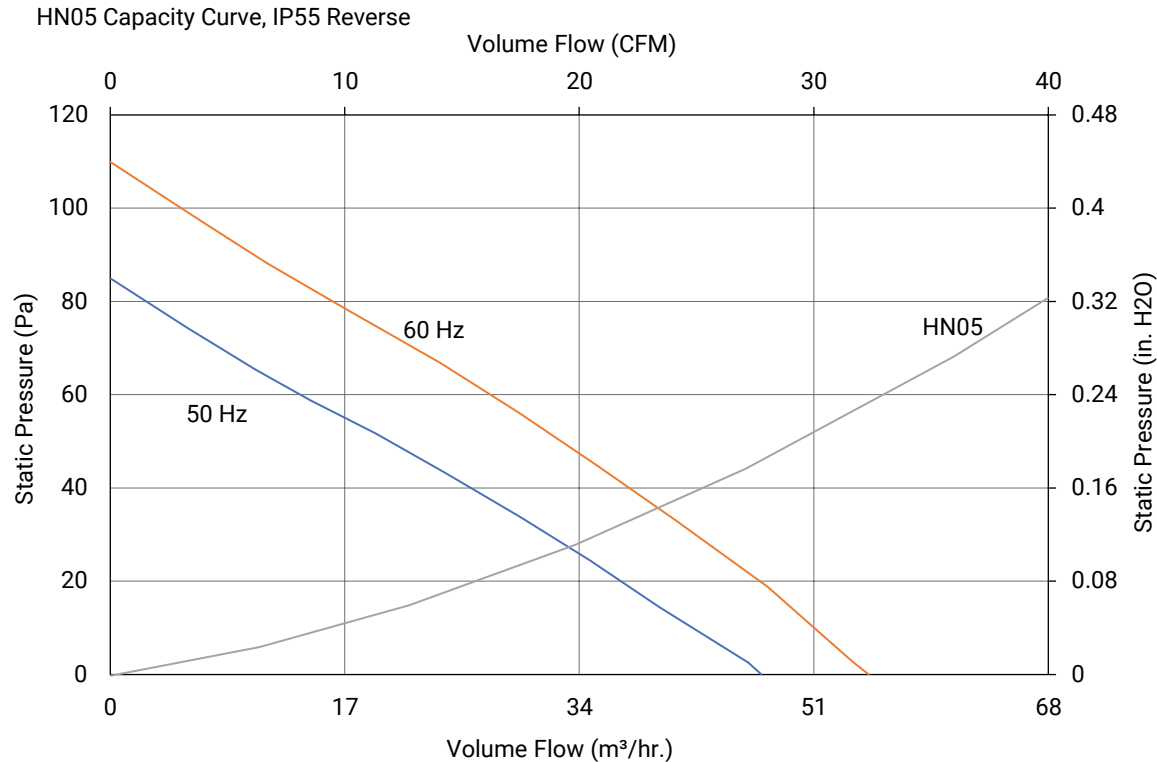
* This indicates a DC Voltage.

** Reverse airflow fan

Performance Curves HN05 Models 115/230V 35 CFM (60 m³/hr.) 3R Side-Mount Filter Fans

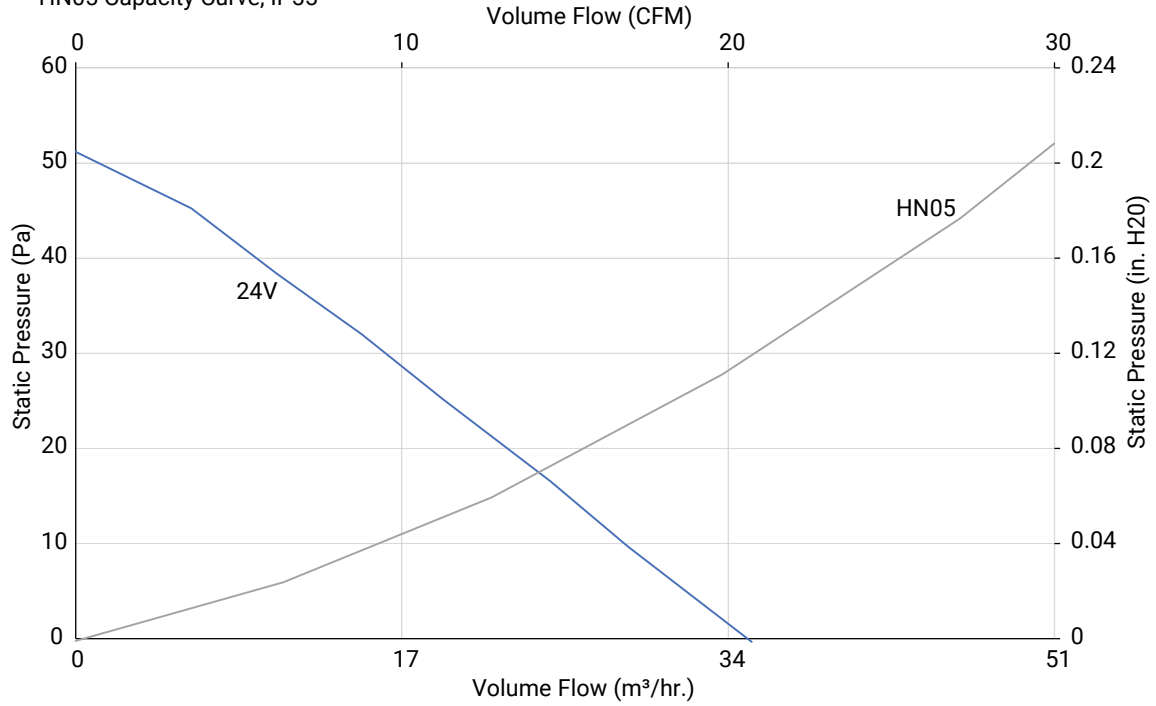


Performance Curves HN05 Reverse Models 115/230V 33 CFM (56 m³/hr.) 3R Side-Mount Filter Fans



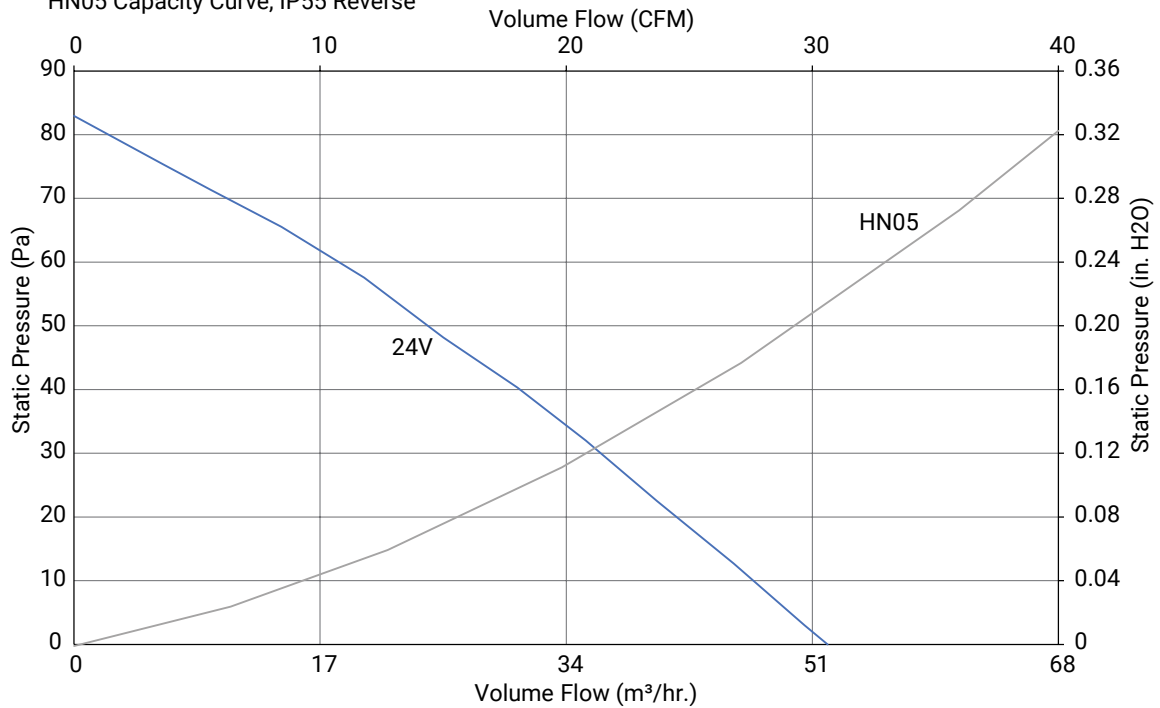
Performance Curves HN05 Models 24VDC 21 CFM (35 m³/hr.) 3R Side-Mount Filter Fans

HN05 Capacity Curve, IP55

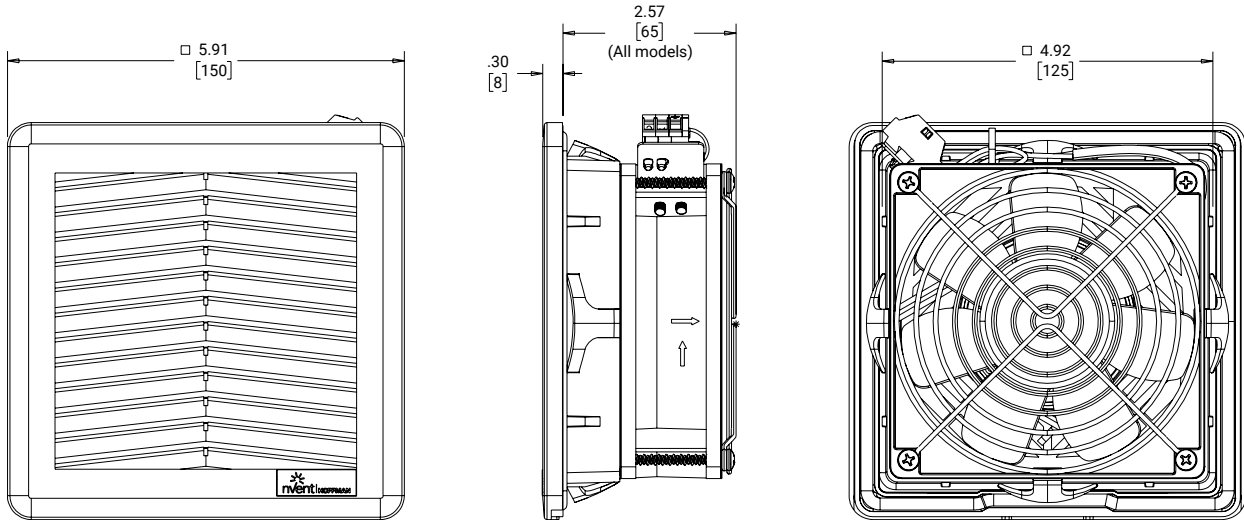


Performance Curves HN05 Reverse Models 24VDC 31 CFM (53 m³/hr.) 3R Side-Mount Filter Fans

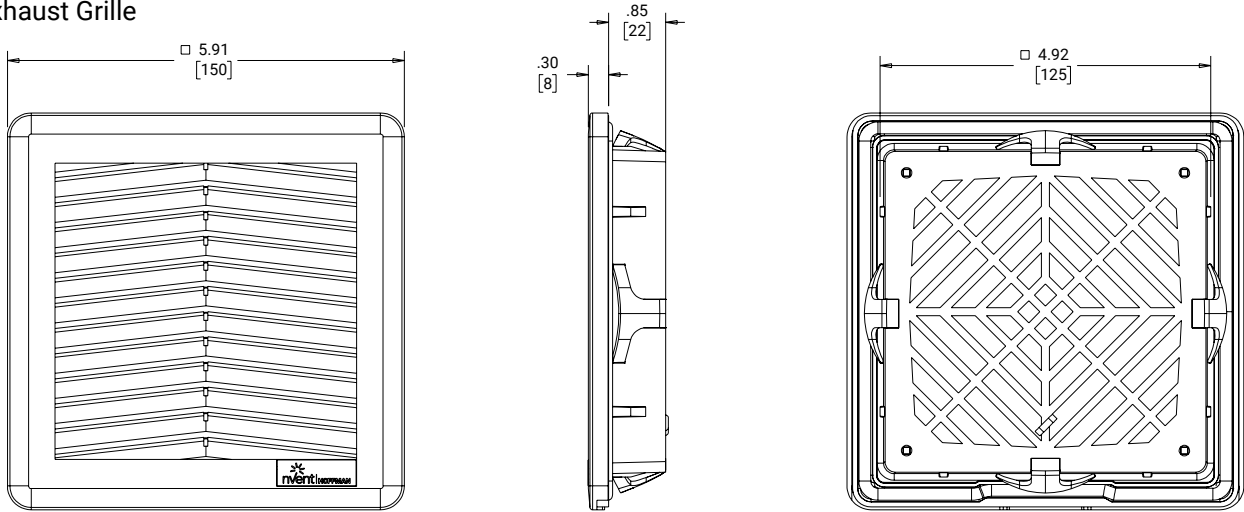
HN05 Capacity Curve, IP55 Reverse



HN05 Standard Airflow Side-Mount Filter Fans

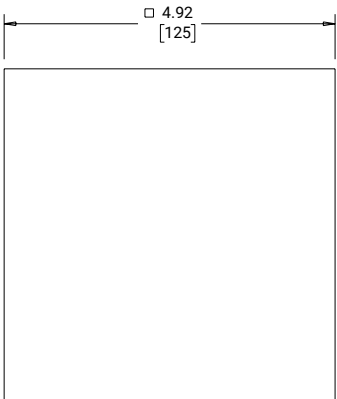


Exhaust Grille



Order exhaust grille kits separately.

89230655



Cutout Dimensions
 Inch Tolerance: +0.06 / -0
 [mm] Tolerance: +1.5 / -0

Performance Data **HN08 3R Filter Fans**

ELECTRICAL DATA				
Rated Voltage	115	230	24*	24* Reverse**
Frequency (Hz)	50/60	50/60	—	—
Nominal Current Maximum (Amps)	0.20/0.18	0.13/0.11	0.34	0.34
Power Consumption Maximum (Watts)	16/15	19/17	8.2	8.2
Power Connection	Screwless Terminal Block			
TYPE 3R / IP55 FILTER FANS				
RAL 9005 Black:				
Catalog Number	HN0816513	HN0826513	HN0824513	HN0824513R
Free Airflow (CFM / m ³ /hr.)	65/110	65/110	50/85	59/100
Airflow with Exhaust Grille (CFM / m ³ /hr.)	44/75	44/75	33/56	41/70
FILTER FAN UNIT CONSTRUCTION				
Fan RPM	3100	3100	2860	2860
Sound Pressure (dBA at 50/60 Hz)	40/44	40/44	42	42
Operating Temperature Range:				
Maximum (°F / °C)	131/55	131/55	131/55	131/55
Minimum (°F / °C)	14/-10	14/-10	14/-10	14/-10
Service Life (hours) at 40 C	70,000	70,000	96,000	96,000
Unit Dimensions - H x W x D (in. / mm)	8.03x8.03x3.76 / 204x204x96			
Cutout Dimensions - H x W (in. / mm)	6.97x6.97 / 177x177			
Weight (lb. / kg)	2.71/1.23	2.71/1.23	1.90/0.86	1.90/0.86
TYPE 3R / IP55 EXHAUST GRILLES				
RAL 9005 Black:				
Catalog Number	HN0800503	HN0800503	HN0800503	HN0800503
ACCESSORIES				
Replacement Filters:				
Filter Catalog Number	98136408R	98136408R	98136408R	98136408R
Thermostat Catalog Number (°F)	THERM16F	THERM26F	—	—
Thermostat Catalog Number (°C)	THERM16C	THERM26C	—	—

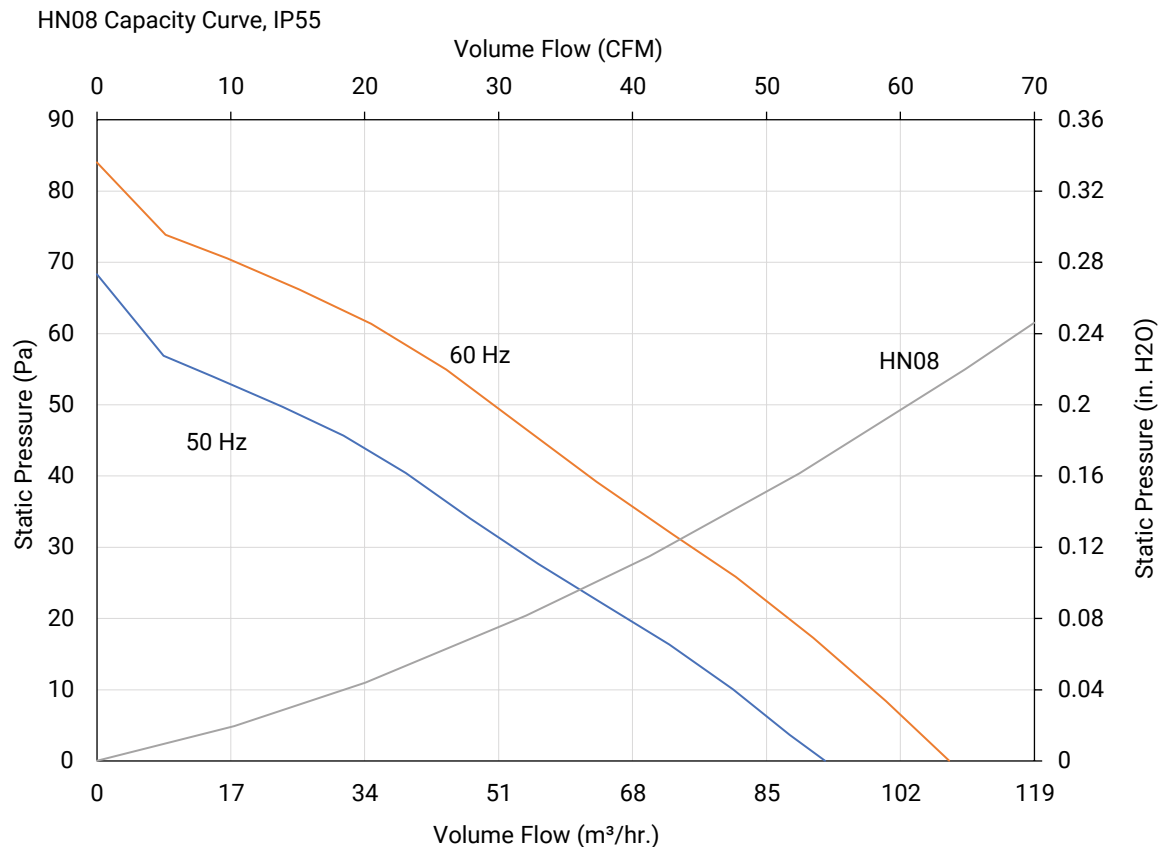
Above airflow rates at 60 Hz; see performance curves for airflow at 50 Hz and more details.

Unit depth is of the entire unit. Further dimensional detail below.

Exhaust Grilles sold separately.

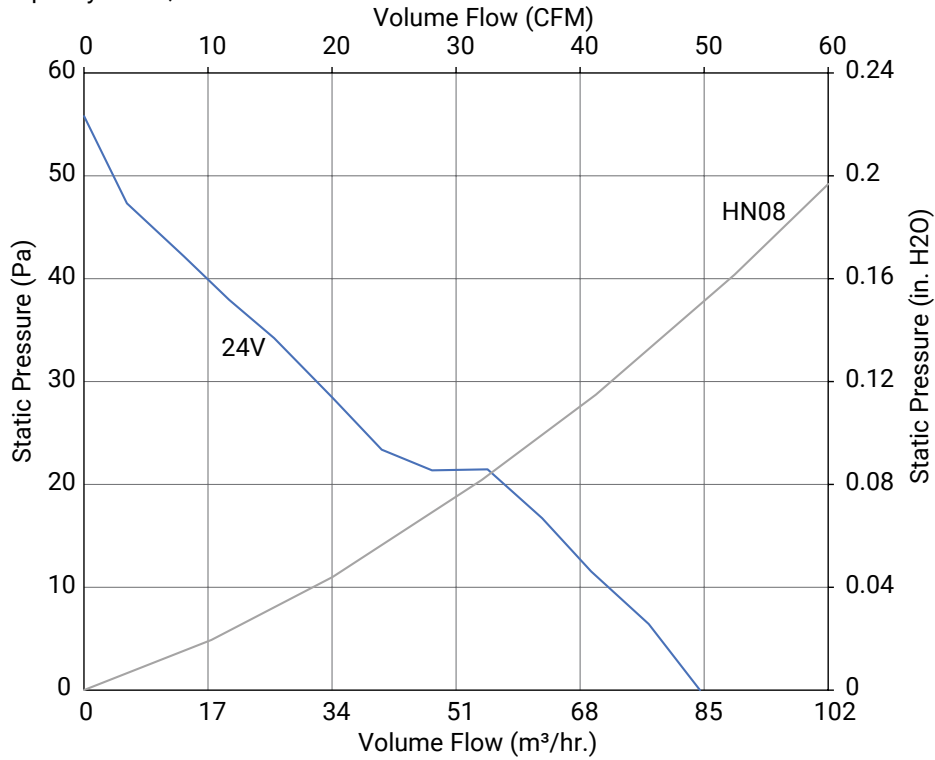
* This indicates a DC Voltage.

** Reverse airflow fan.

 Performance Curves HN08 Models 115/230V 65 CFM (110 m³/hr.) 3R Side-Mount Filter Fans


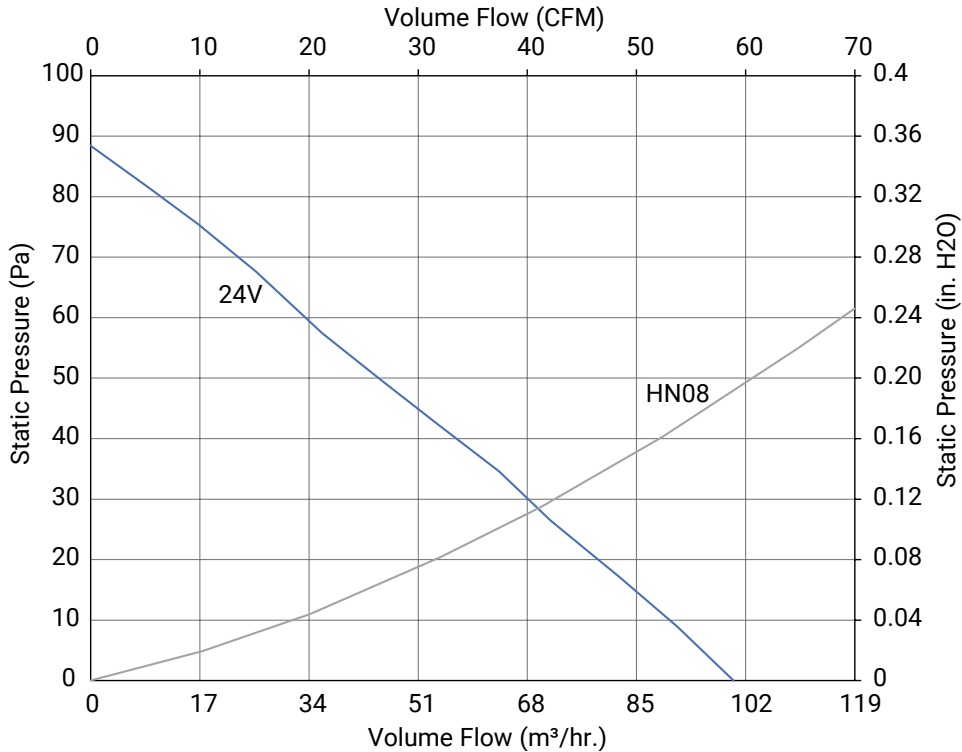
Performance Curves HN08 Models 24VDC 50 CFM (85 m³/hr.) 3R Side-Mount Filter Fans

HN08 Capacity Curve, IP55

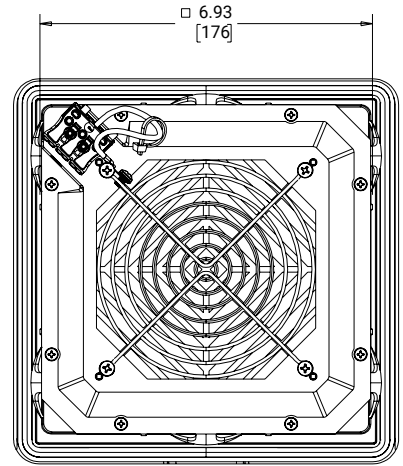
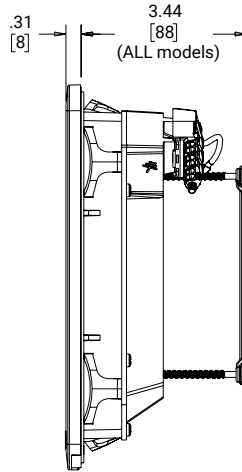
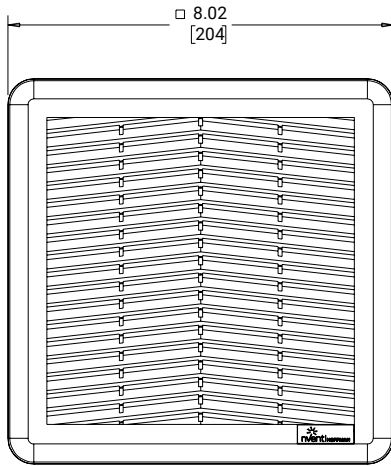


Performance Curves HN08 Reverse Models 24VDC 59 CFM (100 m³/hr.) 3R Side-Mount Filter Fans

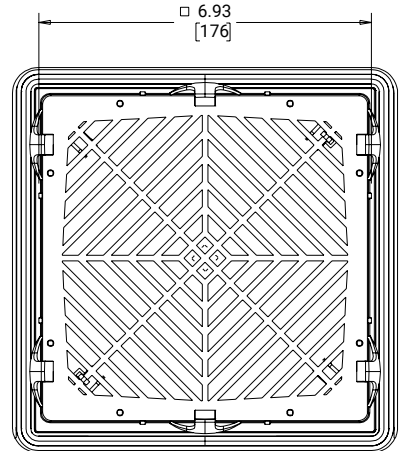
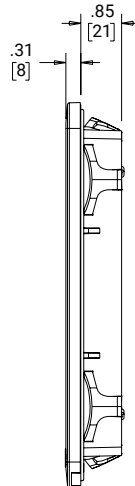
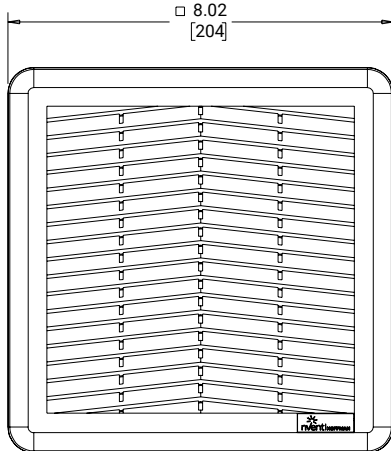
HN08 Capacity Curve, IP55 Reverse



HN08 Standard Airflow Side-Mount Filter Fans

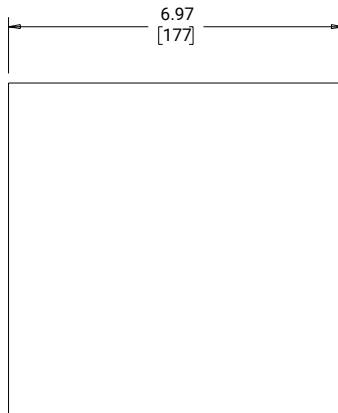


Exhaust Grille



Order exhaust grille kits separately.

89230656



Cutout Dimensions
 Inch Tolerance: +0.06 / -0
 [mm] Tolerance: +1.5 / -0

Performance Data **HN09 3R Filter Fans**

ELECTRICAL DATA					
Rated Voltage	115	115 Reverse**	230	230 Reverse**	24*
Frequency (Hz)	50/60	50/60	50/60	50/60	—
Nominal Current Maximum (Amps)	0.36/0.36	0.36/0.36	0.19/0.19	0.19/0.19	1.3
Power Consumption Maximum (Watts)	39/41	39/41	42/45	42/45	31
Power Connection	Screwless Terminal Block				
TYPE 3R / IP55 FILTER FANS					
RAL 9005 Black:					
Catalog Number	HN0916513	HN0916513R	HN0926513	HN0926513R	HN0924513
Free Airflow (CFM / m ³ /hr.)	135/229	143/242	135/229	143/242	135/230
Airflow with Exhaust Grille (CFM / m ³ /hr.)	91/155	100/170	91/155	100/170	91/154
FILTER FAN UNIT CONSTRUCTION					
Fan RPM	3310	3310	3310	3310	3520
Sound Pressure (dBA at 50/60 Hz)	52/56	52/56	52/56	52/56	59
Operating Temperature Range:					
Maximum (°F / °C)	131/55	131/55	131/55	131/55	131/55
Minimum (°F / °C)	14/-10	14/-10	14/-10	14/-10	14/-10
Service Life (hours) at 40 C	98,000	98,000	98,000	98,000	70,000
Unit Dimensions - H x W x D (in. / mm)	9.84x9.84x4.44 / 250x250x113			9.84x9.84x4.96 / 250x250x126	
Cutout Dimensions - H x W (in. / mm)	8.78x8.78 / 223x223				
Weight (lb. / kg)	4.21/1.91			3.77/1.71	
TYPE 3R / IP55 EXHAUST GRILLES					
RAL 9005 Black:					
Catalog Number	HN0900503	HN0900503	HN0900503	HN0900503	HN0900503
ACCESSORIES					
Replacement Filters:					
Filter Catalog Number	98136409R	98136409R	98136409R	98136409R	98136409R
Thermostat Catalog Number (°F)	THERM16F	THERM16F	THERM26F	THERM26F	—
Thermostat Catalog Number (°C)	THERM16C	THERM16C	THERM26C	THERM26C	—

Above airflow rates at 60 Hz; see performance curves for airflow at 50 Hz and more details.

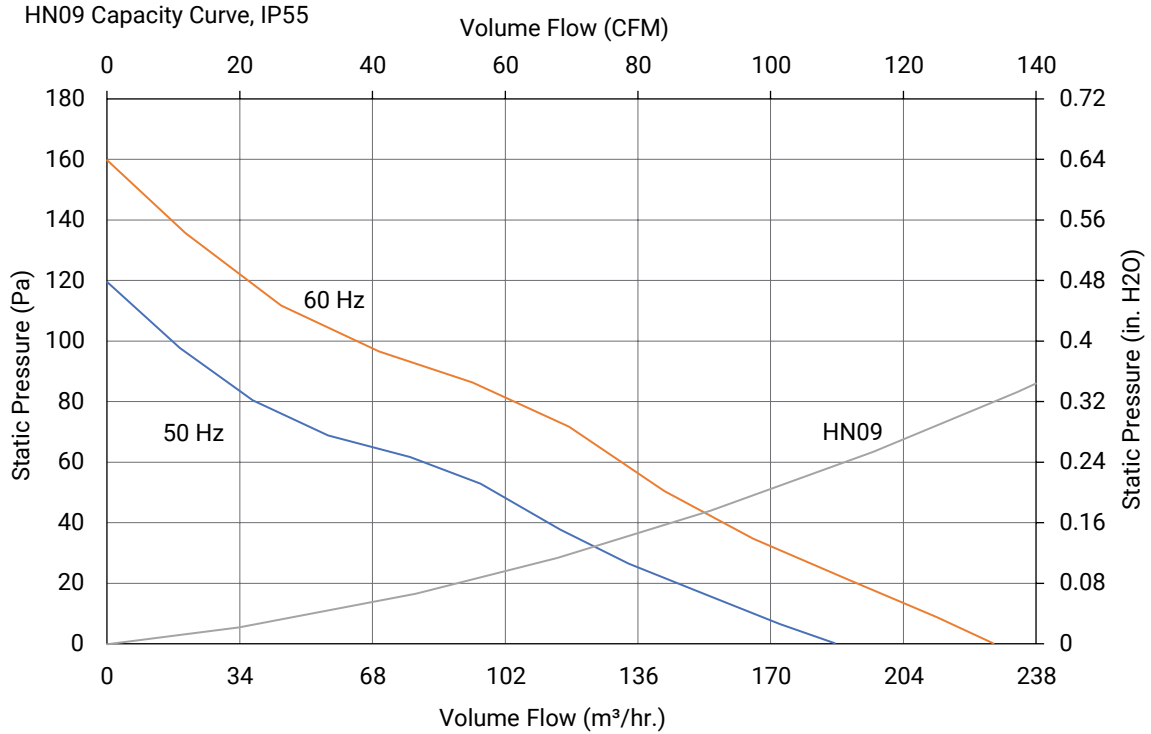
Unit depth is of the entire unit. Further dimensional detail below.

Exhaust Grilles sold separately.

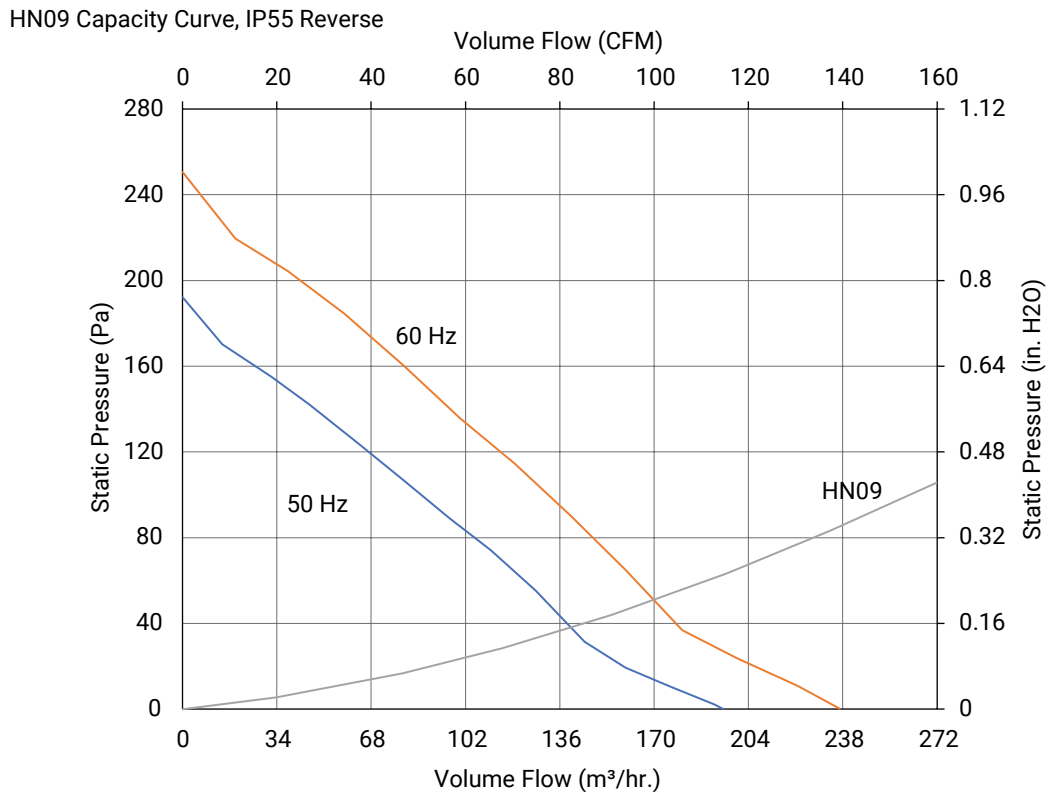
* This indicates a DC Voltage.

** Reverse airflow fan.

Performance Curves HN09 Models 115/230V 135 CFM (229 m³/hr.) 3R Side-Mount Filter Fans

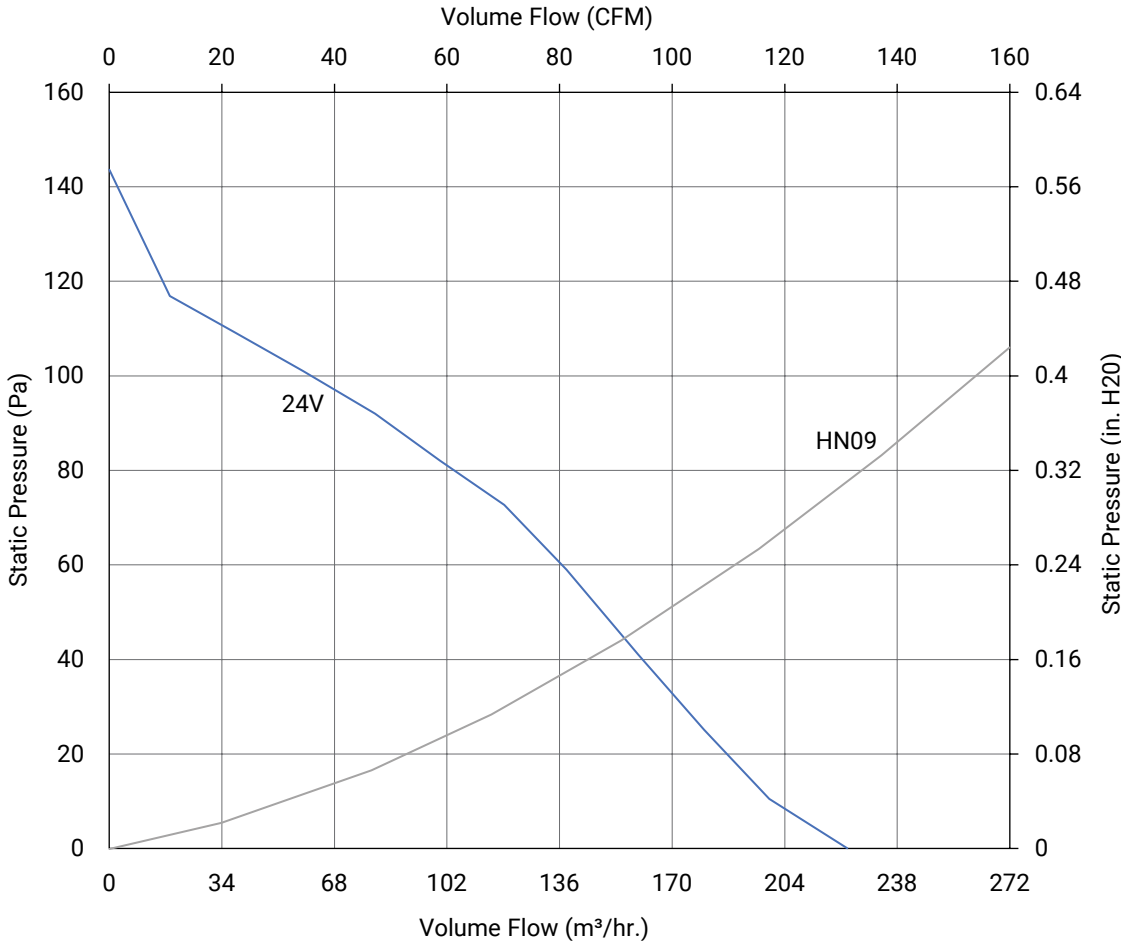


Performance Curves HN09 Reverse Models 115/230V 143 CFM (242 m³/hr.) 3R Side-Mount Filter Fans

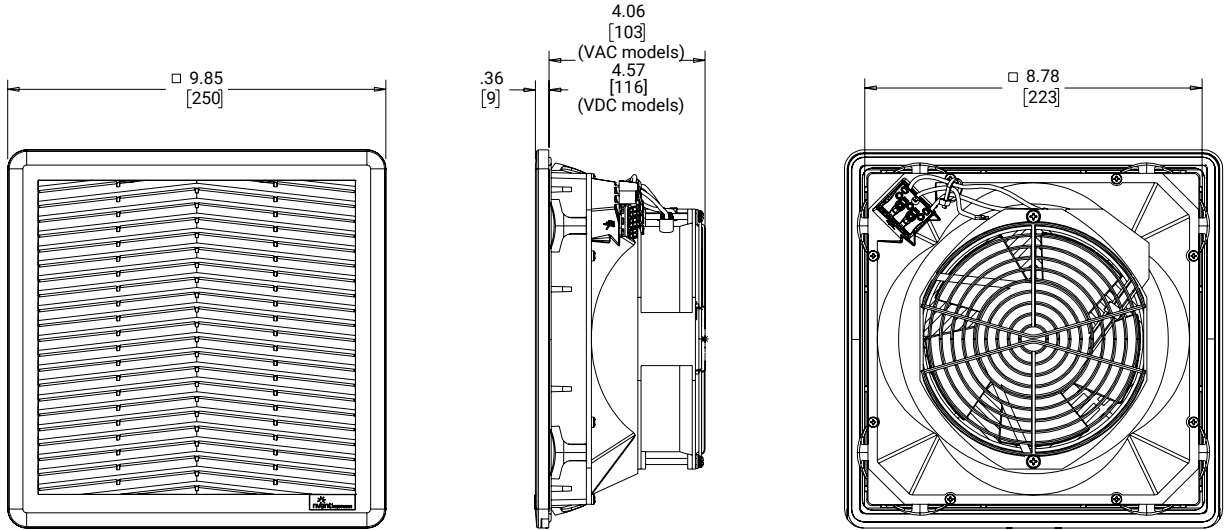


Performance Curves HN09 Models 135 CFM (230 m³/hr.) 3R Side-Mount Filter Fans

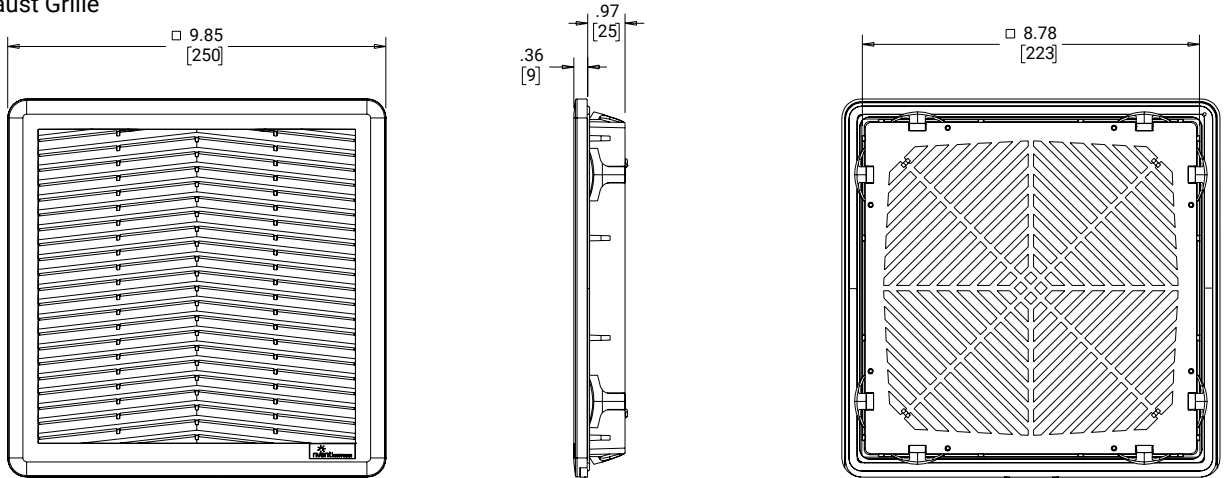
HN09 Capacity Curve, IP55



HN09 Standard Airflow Side-Mount Filter Fans

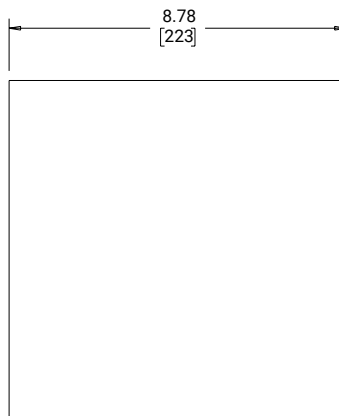


Exhaust Grille



Order exhaust grille kits separately.

89230657



Cutout Dimensions
 Inch Tolerance: +0.06 / -0
 [mm] Tolerance: +1.5 / -0

Performance Data **HN12 3R Filter Fan Standard Airflow**

ELECTRICAL DATA				
Rated Voltage	115	115 Reverse**	230	230 Reverse**
Frequency (Hz)	50/60	50/60	50/60	50/60
Nominal Current Maximum (Amps)	0.68/0.73	0.68/0.73	0.31/0.35	0.31/0.35
Power Consumption Maximum (Watts)	74/83	74/83	70/85	70/85
Power Connection	Screwless Terminal Block			
TYPE 3R / IP55 FILTER FANS				
RAL 9005 Black:				
Catalog Number	HN1216513	HN1216513R	HN1226513	HN1226513R
Free Airflow (CFM / m ³ /hr.)	235/400	292/497	235/400	292/497
Airflow with Exhaust Grille (CFM / m ³ /hr.)	162/275	207/351	162/275	207/351
FILTER FAN UNIT CONSTRUCTION				
Fan RPM	2750	2750	2750	2750
Sound Pressure (dBA at 50/60 Hz)	60/62	60/62	60/62	60/62
Operating Temperature Range:				
Maximum (°F / °C)	131/55	131/55	131/55	131/55
Minimum (°F / °C)	14/-10	14/-10	14/-10	14/-10
Service Life (hours) at 40 C	63,000	63,000	63,000	63,000
Unit Dimensions - H x W x D (in. / mm)	12.8x12.8x6.31 / 325x325x161			
Cutout Dimensions - H x W (in. / mm)	11.46x11.46 / 291x291			
Weight (lb. / kg)	8.11/3.68			
TYPE 3R / IP55 EXHAUST GRILLES				
RAL 9005 Black:				
Catalog Number	HN1200503	HN1200503	HN1200503	HN1200503
ACCESSORIES				
Replacement Filters:				
Filter Catalog Number	98136412R	98136412R	98136412R	98136412R
Thermostat Catalog Number (°F)	THERM16F	THERM16F	THERM26F	THERM26F
Thermostat Catalog Number (°C)	THERM16C	THERM16C	THERM26C	THERM26C

Above airflow rates at 60 Hz; see performance curves for airflow at 50 Hz and more details.

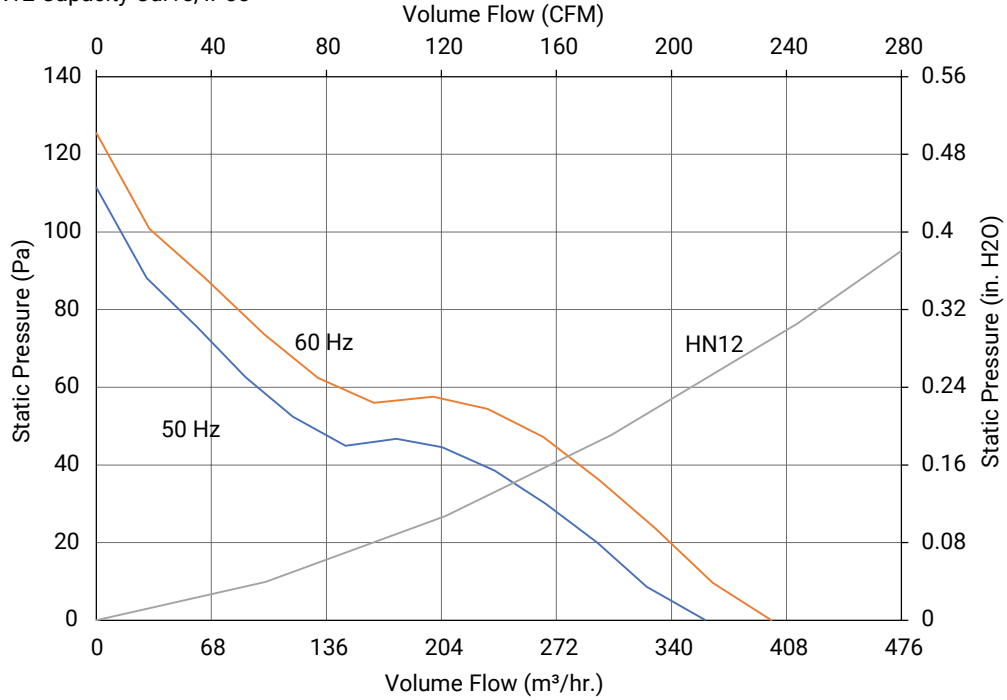
Unit depth is of the entire unit. Further dimensional detail below.

Exhaust Grilles sold separately.

** Reverse airflow fan.

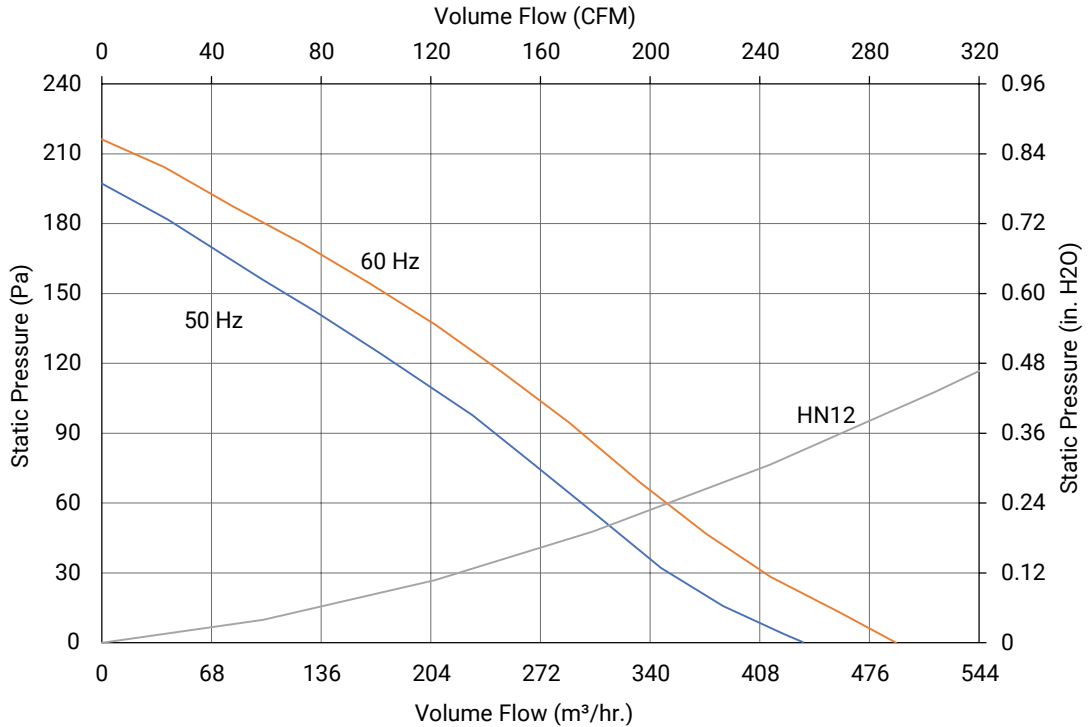
Performance Curves HN12 Standard Airflow Models 115/230V 235 CFM (400 m³/hr.) 3R Filter Fans

HN12 Capacity Curve, IP55

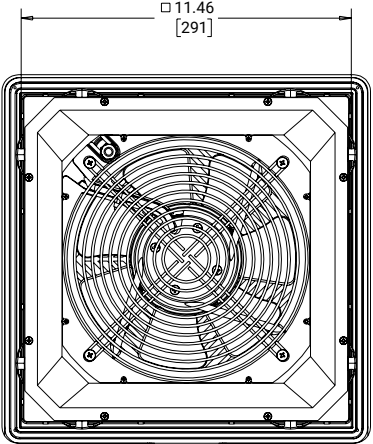
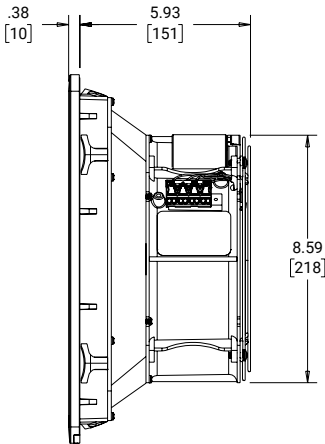
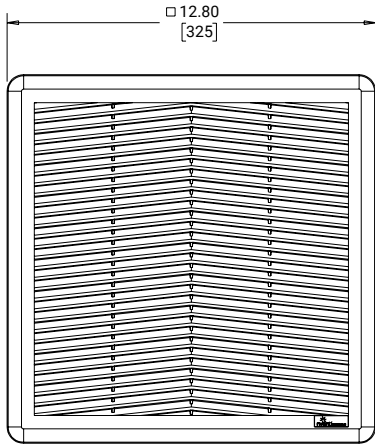


Performance Curves HN12 Standard Airflow Reverse Models 115/230V 292 CFM (497 m³/hr.) 3R Filter Fans

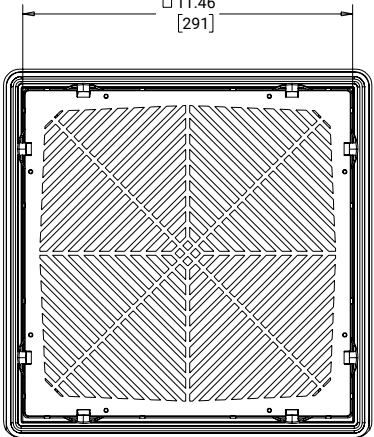
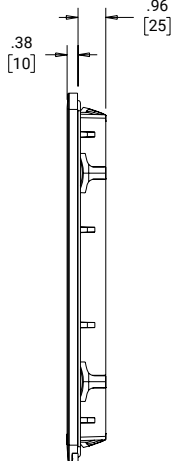
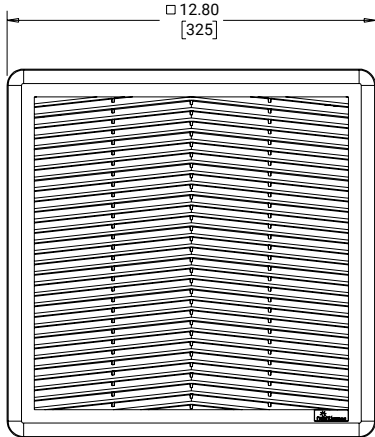
HN12 Capacity Curve, IP55 Reverse



HN12 Standard Airflow Side-Mount Filter Fans

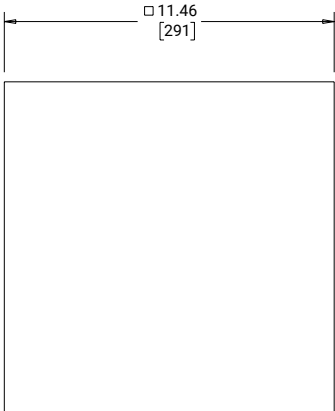


Exhaust Grille



Order exhaust grille kits separately.

89232121



Cutout Dimensions
Inch Tolerance: +0.06 / -0
[mm] Tolerance: +1.5 / -0

Performance Data **HN12 3R Filter Fans High Airflow**

ELECTRICAL DATA				
Rated Voltage	115	115 Reverse**	230	230 Reverse**
Frequency (Hz)	50/60	50/60	50/60	50/60
Nominal Current Maximum (Amps)	1.01/1.37	1.01/1.37	0.53/0.69	0.53/0.69
Power Consumption Maximum (Watts)	110/156	110/156	120/158	120/158
Power Connection	Screwless Terminal Block			
TYPE 3R / IP55 FILTER FANS				
RAL 9005 Black:				
Catalog Number	HN1216523	HN1216523R	HN1226523	HN1226523R
Free Airflow (CFM / m ³ /hr.)	444/755	507/861	444/755	507/861
Airflow with Exhaust Grille (CFM / m ³ /hr.)	268/456	339/576	268/456	339/576
FILTER FAN UNIT CONSTRUCTION				
Fan RPM	2720	2910	2880	2970
Sound Pressure (dBA at 50/60 Hz)	67/71	67/71	72/75	72/75
Operating Temperature Range:				
Maximum (°F / °C)	131/55	131/55	131/55	131/55
Minimum (°F / °C)	14/-10	14/-10	14/-10	14/-10
Service Life (hours) at 40 C	63,000	63,000	63,000	63,000
Unit Dimensions - H x W x D (in. / mm)	12.8x12.8x6.24 / 325x325x159			
Cutout Dimensions - H x W (in. / mm)	11.46x11.46 / 291x291			
Weight (lb. / kg)	10.82/4.91	10.69/4.85	10.19/4.62	10.00/4.54
TYPE 3R / IP55 EXHAUST GRILLES				
RAL 9005 Black:				
Catalog Number	HN1200503	HN1200503	HN1200503	HN1200503
ACCESSORIES				
Replacement Filters:				
Filter Catalog Number	98136412R	98136412R	98136412R	98136412R
Thermostat Catalog Number (°F)	THERM16F	THERM16F	THERM26F	THERM26F
Thermostat Catalog Number (°C)	THERM16C	THERM16C	THERM26C	THERM26C

Above airflow rates at 60 Hz; see performance curves for airflow at 50 Hz and more details.

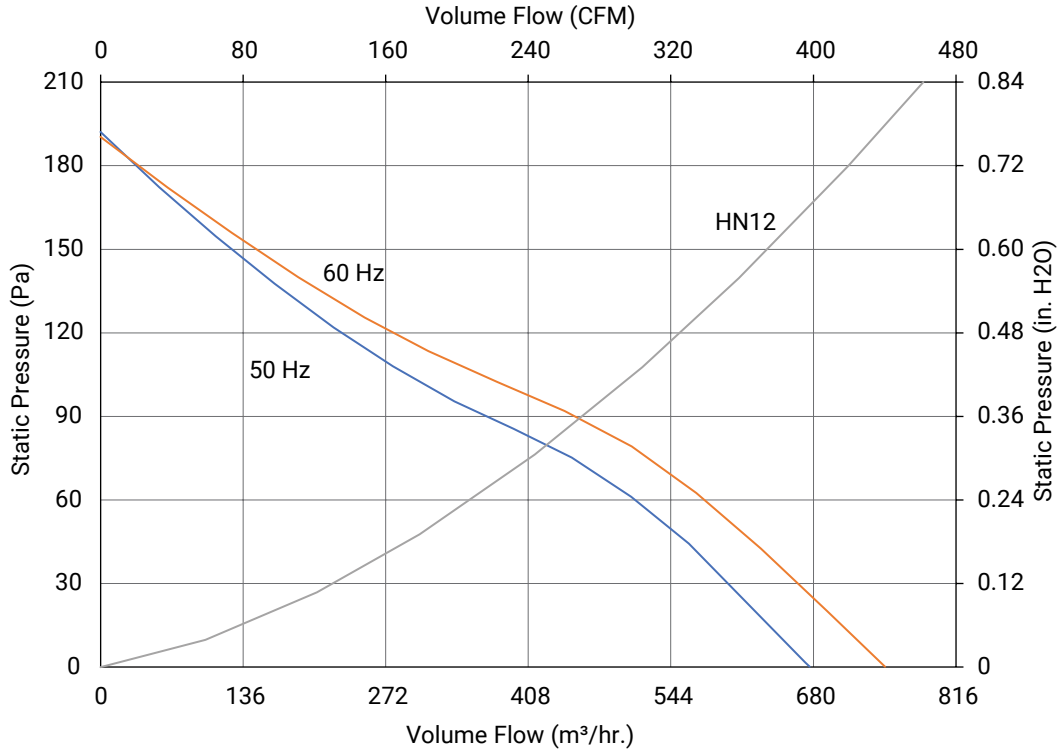
Unit depth is of the entire unit. Further dimensional detail below.

Exhaust Grilles sold separately.

** Reverse airflow fan.

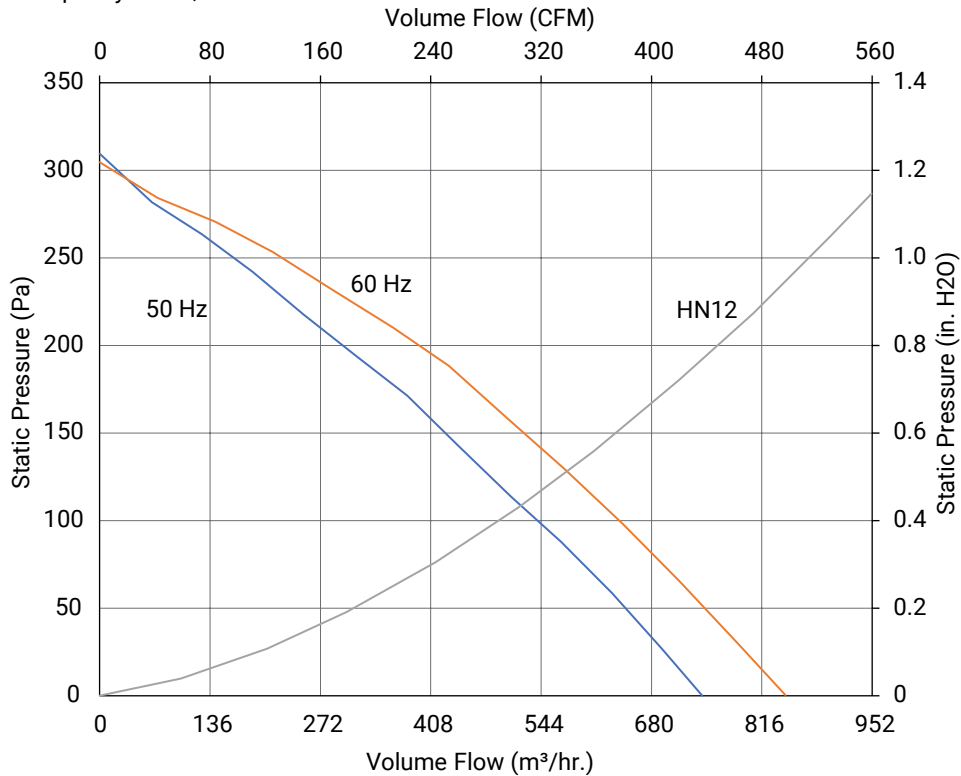
Performance Curves HN12 High Airflow Models 115/230V 444 CFM (755 m³/hr.) 3R Filter Fans

HN12 Capacity Curve, IP55

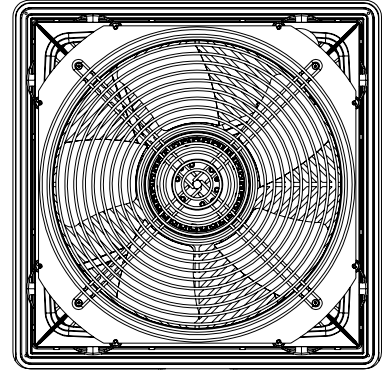
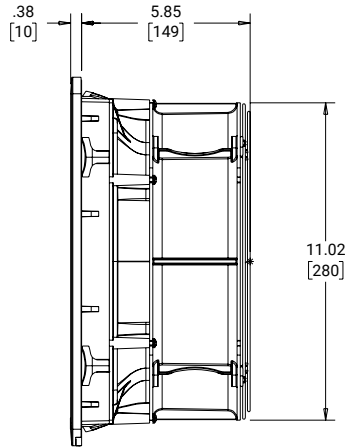
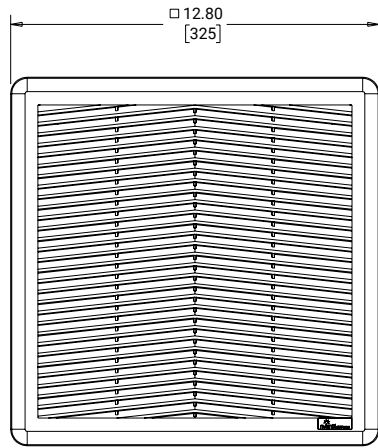


Performance Curves HN12 High Airflow Reverse Models 115/230V 507 CFM (861 m³/hr.) 3R Filter Fans

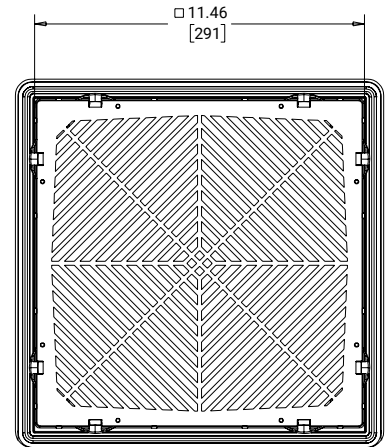
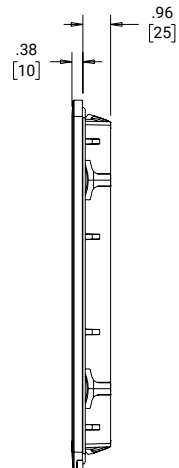
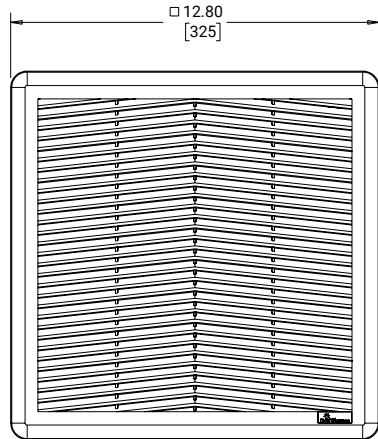
HN12 Capacity Curve, IP55 Reverse



HN12 High Airflow Side-Mount Filter Fans

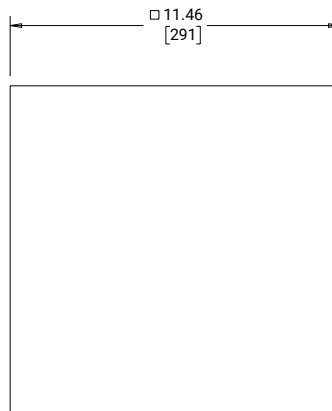


Exhaust Grille



Order exhaust grille kits separately.

89230658



Cutout Dimensions
 Inch Tolerance: +0.06 / -0
 [mm] Tolerance: +1.5 / -0

Notes