

X17 Ultra-Economy Floodlight



3-Way Adjustable:



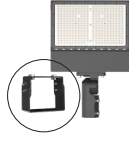
15W/25W/35W



30W/50W/60W &
40W/60W/80W



50W/75W/105W &
70W/100W/140W



100W/150W/205W &
175W/250W/330W

2-Way Adjustable:



15W-35W



60W-80W



105W-140W

Power Adjustable :



250W-350W-450W



100,000
HOURS



3-WAY
ADJUSTABLE
(15W-330W)



2-WAY
ADJUSTABLE
(15W-140W)



POWER
ADJUSTABLE
(250W-450W)



WET
RATED

PROJECT:

DATE:

TYPE:

PREPARED BY:



KEY FEATURES

* X17 Ultra-economy floodlight comes in three different types:

(A) 3-way adjustable:

Selectable CCT: (3000K/4000K/5000K)

Selectable wattages: 15W/25W/35W, 30W/50W/60W, 40W/60W/80W

50W/75W/105W, 70W/100W/140W, 100W/150W/205W, 175W/250W/330W

Selectable photocell that can be turned on and off

(B) 2-way adjustable:

Selectable CCT: (3000K/4000K/5000K)

Available wattages: 15W, 35W, 60W, 80W, 105W & 140W

Selectable photocell that can be turned on and off

(C) Power Adjustable:

Selectable wattages: 250W/350W/450W

Available CCT: 4000K & 5000K

Standard twist-lock photocell

* Voltage ratings: 120-277V. 480V only available from 140W-450W.

* Suitable for wet locations

TECHNICAL SPECIFICATIONS

COMPLIANCE

UL Listed

Suitable for wet locations

DLC Listed

DLC Premium listed

IP Rating

Ingress protection rating of IP65 for dust and water

PERFORMANCE

Lifespan

100,000-hour LED lifespan based on IES LM-80 results and TM-21 calculations

LED CHARACTERISTICS

LEDs

Long-life, high-efficacy, surface-mount LEDs

Color Uniformity

RAB's range of Correlated Color Temperature follows the guidelines of the American National Standards for Specifications for the Chromaticity of Solid State Lighting (SLL) Products, ANSI C78.377-2017.

CONSTRUCTION

Cold Weather Starting

Minimum starting temperature is -40°C (-40°F)

Maximum Ambient Temperature

Suitable for use in up to 40°C (104°F)

Housing

Precision die-cast aluminum

Mounting

Robust knuckle mount with 180° adjustable swivel arm. Tilt angle in 10° increments. (Available only on 15W to 80W models)

Slipfitter with 180° pivot available for mounting on 2 3/8" tenon.

Heavy-duty Trunnion mount with stainless steel hardware.

Lens

Tempered glass

Reflector

Polycarbonate

Green Technology

Mercury and UV free. RoHs-compliant components.

Finish

Formulated for high durability and long-lasting color.

NEMA Beam

NEMA Beam Spread of 7H x 7V

X17 Ultra-Economy Floodlight



TECHNICAL SPECIFICATIONS (CONTINUED)

ELECTRICAL

Drivers (3-way adjustable)

Constant Current, Class 2, 120-277V, 50/60 Hz

35W: 120V: 0.35A, 208V: 0.20A, 240V: 0.16A, 277V: 0.14A
60W: 120V: 0.60A, 208V: 0.35A, 240V: 0.30A, 277V: 0.25A
80W: 120V: 0.80A, 208V: 0.50A, 240V: 0.40A, 277V: 0.35A
105W: 120V: 0.87A, 208V: 0.60A, 240V: 0.50A, 277V: 0.38A
140W: 120V: 1.17A, 208V: 0.75A, 240V: 0.65A, 277V: 0.54A
205W: 120V: 1.77A, 208V: 1.10A, 240V: 0.79A, 277V: 0.85A
330W: 120V: 2.79A, 208V: 1.80A, 240V: 1.60A, 277V: 1.21A

Constant Current, Class 2, 480V, 50/60Hz

140W: 480V: 0.32A
205W: 480V: 0.46A
330W: 480V: 0.73A

Drivers (2-way adjustable)

Constant Current, Class 2, 120-277V, 50/60 Hz

15W: 120V: 0.15A, 208V: 0.08A, 240V: 0.07A, 277V: 0.06A
35W: 120V: 0.35A, 208V: 0.20A, 240V: 0.16A, 277V: 0.14A
60W: 120V: 0.60A, 208V: 0.35A, 240V: 0.28A, 277V: 0.24A
80W: 120V: 0.80A, 208V: 0.45A, 240V: 0.40A, 277V: 0.32A
105W: 120V: 1.00A, 208V: 0.60A, 240V: 0.50A, 277V: 0.42A
140W: 120V: 1.40A, 208V: 0.75A, 240V: 0.65A, 277V: 0.55A

Constant Current, Class 2, 480V, 50/60Hz

140W: 480V: 0.40A

ELECTRICAL

Drivers (Power adjustable)

Constant Current, Class 2, 120-277V, 50/60 Hz

450W: 120V: 3.67A, 208V: 2.40A, 240V: 2.10A, 277V: 1.64A

Constant Current, Class 2, 480V, 50/60Hz

450W: 480V: 0.96A

Driver includes wiring for 0-10V dimming systems. Dim as low as 10%.

OTHER

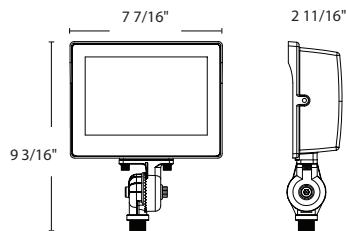
Warranty

The RAB 5-year, limited warranty covers light output, driver performance and paint finish. RAB's warranty is subject to all terms and conditions found at rablighting.com/warranty.

DIMENSIONS : X17 XFU 3-WAY FIELD ADJUSTABLE

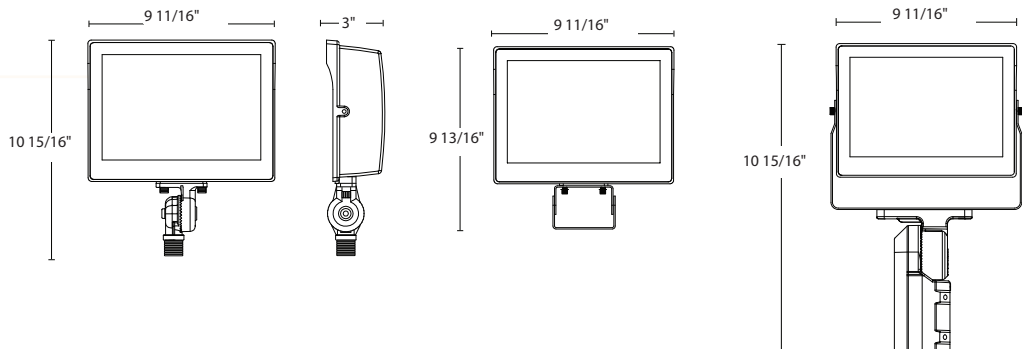
X17 15W-35W

Weight: 2.7 lb



X17 60W-80W

60W-Weight: 4.9 lb
80W-Weight: 5.1 lb



X17 Ultra-Economy Floodlight

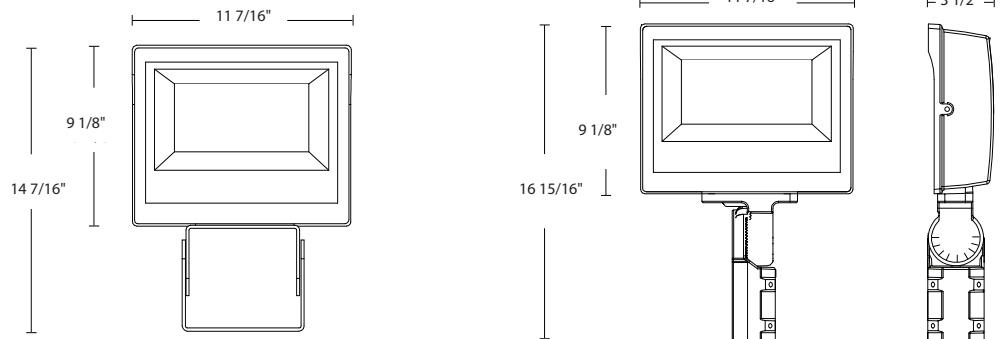


DIMENSIONS : X17 XFU 3-WAY FIELD ADJUSTABLE (CONTINUED)

X17 105W-140W

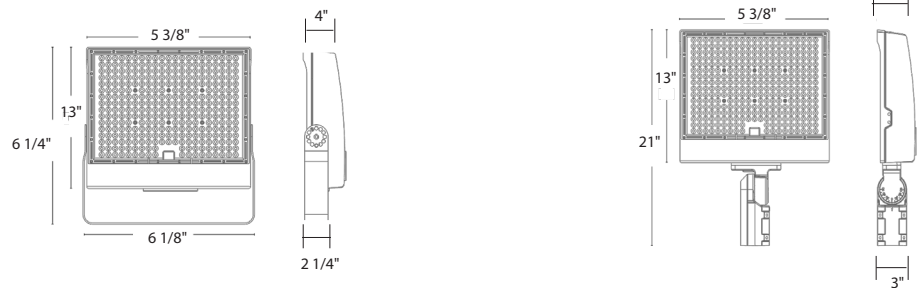
105W- Weight: 9.3 lb

140W-Weight: 10 lb



X17 205W-330W

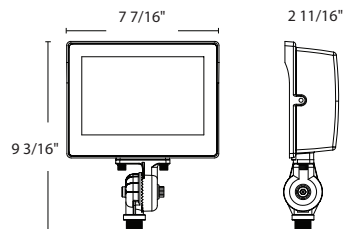
Weight: 18.9 lb



DIMENSIONS : X17 FA 2-WAY ADJUSTABLE

X17 15W-35W

Weight: 2.7 lb



X17 Ultra-Economy Floodlight

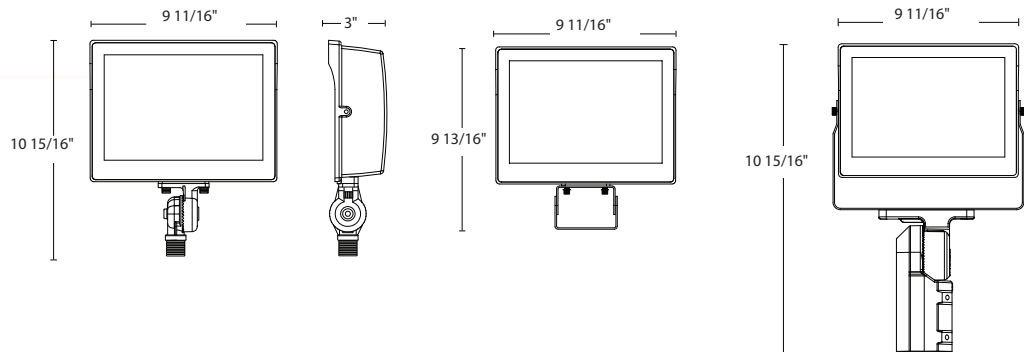


DIMENSIONS : X17 FA 2-WAY ADJUSTABLE (CONTINUED)

X17 60W-80W

60W-Weight: 4.9 lb

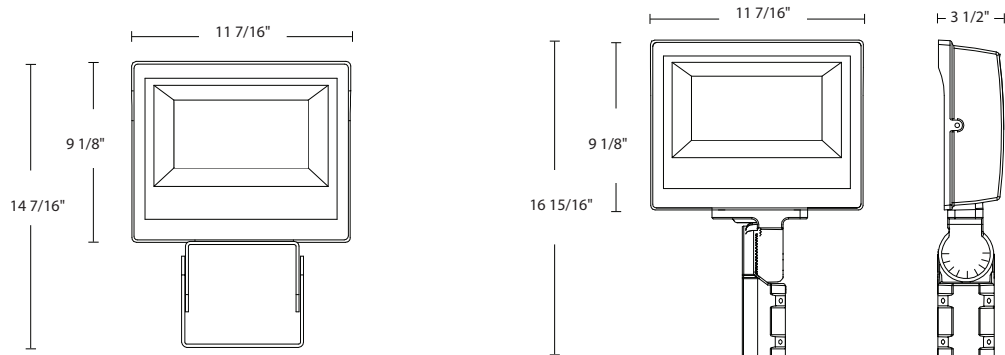
80W-Weight: 5.1 lb



X17 105W-140W

105W-Weight: 9.3 lb

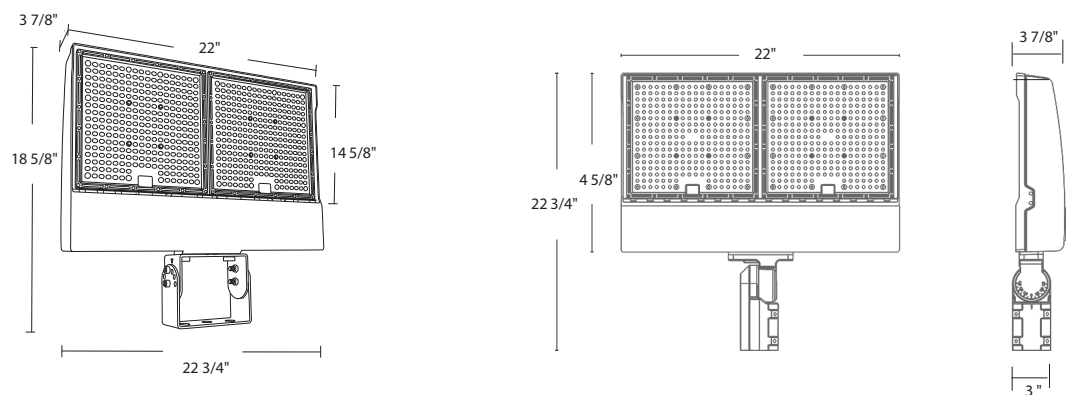
140W-Weight: 10 lb



DIMENSIONS : X17 PA POWER ADJUSTABLE

X17 450W

Weight: 28.1 lb



X17 Ultra-Economy Floodlight



PERFORMANCE: X17 3-WAY FIELD ADJUSTABLE

X17 35W	3000K	4000K	5000K	3000K	4000K	5000K	3000K	4000K	5000K
Wattage	15W	15W	15W	25W	25W	25W	35W	35W	35W
Input Watts	15.4W	14.8W	15.4W	25.6W	24.8W	25.6W	35.9W	34.6W	35.9W
Lumens	1,991	2,160	2,087	3,319	3,599	3,478	4,642	5,034	4,864
Lm/W	129.3	145.9	135.5	129.6	145.1	135.9	129.3	145.5	135.4
CRI	83	85	83	83	85	83	83	85	83
Voltage Ratings	120-277V								

X17 60W	3000K	4000K	5000K	3000K	4000K	5000K	3000K	4000K	5000K
Wattage	30W	30W	30W	50W	50W	50W	60W	60W	60W
Input Watts	30W	30W	30W	50W	50W	50W	59.5W	57.2W	59.4W
Lumens	3,891	4,186	4,089	6,490	6,983	6,821	7,782	8,372	8,178
Lm/W	129.7	139.5	136.3	129.8	139.7	136.4	130.8	146.4	137.7
CRI	83	85	83	83	85	83	83	85	83
Voltage Ratings	120-277V								

X17 80W	3000K	4000K	5000K	3000K	4000K	5000K	3000K	4000K	5000K
Wattage	40W	40W	40W	60W	60W	60W	80W	80W	80W
Input Watts	41W	39.4W	41W	61.5W	59.1W	61.6W	82W	78.8W	82.1W
Lumens	5,356	5,755	5,663	8,034	8,632	8,494	10,712	11,509	11,325
Lm/W	130.7	146.1	138.0	130.7	146.1	137.9	130.7	146.1	138.01
CRI	83	85	84	83	85	84	83	85	84
Voltage Ratings	120-277V								

X17 105W	3000K	4000K	5000K	3000K	4000K	5000K	3000K	4000K	5000K
Wattage	50W	50W	50W	75W	75W	75W	105W	105W	105W
Input Watts	50W	50W	50W	75W	75W	75W	103.9W	100.3W	104.1W
Lumens	6,304	67,26	6,481	9,460	10,093	9,726	13,243	14,129	13,616
Lm/W	126.1	134.5	129.6	126.1	134.6	129.7	127.5	140.9	130.8
CRI	83	86	84	83	86	84	83	86	84
Voltage Ratings	120-277V								

X17 140W	3000K	4000K	5000K	3000K	4000K	5000K	3000K	4000K	5000K
Wattage	70W	70W	70W	100W	100W	100W	140W	140W	140W
Input Watts	70W	70W	70W	100W	100W	100W	139.3W	135.4W	140.3W
Lumens	8,947	9,579	9,336	12,782	13,983	13,337	17,894	19,158	18,672
Lm/W	127.8	136.8	133.4	127.8	139.8	133.4	127.9	141.5	133.1
CRI	83	85	84	83	85	84	83	85	84
Voltage Ratings	120-277V								

X17 Ultra-Economy Floodlight



PERFORMANCE: X17 3-WAY FIELD ADJUSTABLE (CONTINUED)

X17 140W	3000K	4000K	5000K	3000K	4000K	5000K	3000K	4000K	5000K
Wattage	70W	70W	70W	100W	100W	100W	140W	140W	140W
Input Watts	70W	70W	70W	100W	100W	100W	142.6W	136.9W	142.6W
Lumens	8,980	9,982	9,277	12,828	14,260	13,253	18,292	19,532	18,898
Lm/W	128.3	142.6	132.5	128.3	142.6	132.5	128.3	142.6	132.5
CRI	83	85	84	83	85	84	83	85	84
Voltage Ratings	480V								

X17 205W	3000K	4000K	5000K	3000K	4000K	5000K	3000K	4000K	5000K
Wattage	100W	100W	100W	150W	150W	150W	205W	205W	205W
Input Watts	100W	100W	100W	150W	150W	150W	205.6W	198.2W	204.9W
Lumens	13,394	15,056	13,906	20,091	22,584	20,859	28,333	30,618	29,399
Lm/W	133.9	150.6	139.1	133.9	150.6	139.1	133.9	150.6	139.1
CRI	73	75	71	73	75	71	73	75	71
Voltage Ratings	120-277V								

X17 205W	3000K	4000K	5000K	3000K	4000K	5000K	3000K	4000K	5000K
Wattage	100W	100W	100W	150W	150W	150W	205W	205W	205W
Input Watts	100W	100W	100W	150W	150W	150W	205.6W	198.2W	204.9W
Lumens	13,563	15,107	14,076	20,345	22,661	21,114	27,882	29,944	28,838
Lm/W	135.6	151.1	140.8	135.6	151.1	140.8	135.6	151.1	140.8
CRI	73	76	74	73	76	74	73	76	74
Voltage Ratings	480V								

X17 330W	3000K	4000K	5000K	3000K	4000K	5000K	3000K	4000K	5000K
Wattage	175W	175W	175W	250W	250W	250W	330W	330W	330W
Input Watts	175W	175W	175W	250W	250W	250W	334.4W	321.7W	334W
Lumens	23,907	26,777	24,939	34,153	38,253	35,628	45,864	49,228	47,601
Lm/W	136.6	153.0	142.5	136.6	153.0	142.51	136.6	153.0	142.5
CRI	71	74	73	71	74	73	71	74	73
Voltage Ratings	120-277V								

X17 330W	3000K	4000K	5000K	3000K	4000K	5000K	3000K	4000K	5000K
Wattage	175W	175W	175W	250W	250W	250W	330W	330W	330W
Input Watts	175W	175W	175W	250W	250W	250W	328.4W	315.8W	327.7W
Lumens	24,682	27,587	25,540	35,260	39,410	36,485	46,313	49,783	47,817
Lm/W	141.04	157.64	145.94	141.04	157.64	145.94	141.0	157.6	145.9
CRI	71	74	73	71	74	73	71	74	73
Voltage Ratings	480V								

X17 Ultra-Economy Floodlight



PERFORMANCE : X17 FIELD ADJUSTABLE

X17 15W	3000K	4000K	5000K
Wattage	15W	15W	15W
Input Watts	15.5W	14.9W	15.5W
Lumens	2,097	2,259	2,194
Lm/W	135	152	142
CRI	83	85	84
Voltage Ratings	120-277V		

X17 35W	3000K	4000K	5000K
Wattage	35W	35W	35W
Input Watts	35.9W	34.6W	35.9W
Lumens	4,642	5,034	4,864
Lm/W	129	145	135
CRI	83	85	83
Voltage Ratings	120-277V		

X17 60W	3000K	4000K	5000K
Wattage	60W	60W	60W
Input Watts	59.5W	57.2W	59.4W
Lumens	7,782	8,372	8,178
Lm/W	131	146	138
CRI	83	85	83
Voltage Ratings	120-277V		

X17 80W	3000K	4000K	5000K
Wattage	80W	80W	80W
Input Watts	82W	78.8W	82.1W
Lumens	8,632	11,509	11,325
Lm/W	105	145	138
CRI	83	85	84
Voltage Ratings	120-277V		

X17 105W	3000K	4000K	5000K
Wattage	105W	105W	105W
Input Watts	103.8W	100.2W	104.1W
Lumens	13,243	14,129	13,616
Lm/W	128	141	131
CRI	83	86	84
Voltage Ratings	120-277V		

X17 140W	3000K	4000K	5000K
Wattage	140W	140W	140W
Input Watts	139.9W	135.4W	140.2W
Lumens	17,894	19,158	18,672
Lm/W	128	141	133
CRI	83	85	84
Voltage Ratings	120-277V		

X17 140W	3000K	4000K	5000K
Wattage	140W	140W	140W
Input Watts	142.6W	136.9W	142.6W
Lumens	18,292	19,532	18,898
Lm/W	128	143	133
CRI	83	85	84
Voltage Ratings	480V		

X17 Ultra-Economy Floodlight



PERFORMANCE: X17 PA POWER ADJUSTABLE

X17 450W	4000K	5000K	4000K	5000K	4000K	5000K
Wattage	250W	250W	350W	350W	450W	450W
Input Watts	250W	250W	350W	350W	439.2W	439.2W
Lumens	36,975	37,420	51,765	52,388	64,951	65,733
Lm/W	147.9	149.7	147.9	149.7	147.9	149.7
CRI	72	72	72	72	72	72
Voltage Ratings	120-277V					

X17 450W	4000K	5000K	4000K	5000K	4000K	5000K
Wattage	250W	250W	350W	350W	450W	450W
Input Watts	250W	250W	350W	350W	433.8W	433.8W
Lumens	36,305	36,633	50,827	51,286	62,987	63,558
Lm/W	145.2	146.5	145.2	146.5	145.2	146.5
CRI	72	72	72	72	72	72
Voltage Ratings	480V					

ORDERING MATRIX

X17XFU

Family	Wattage	Mounting	Finish	Voltage Rating	Option
X17XFU					
35	35W/25W/15W	BLANK	Knuckle ¹	BLANK	BLANK
60	60W/50W/30W	SF	Slipfitter ²	120-277V	No option
80	80W/60W/40W	T	Trunnion ²	480V ⁴	Twist-lock Photocell ⁵
105	105W/75W/50W				
140	140W/100W/70W				
205	205W/150W/100W				
330	330W/200W/175W				

¹ Knuckle mount only on: XFU35, XFU60 & XFU80 Models
² Slipfitter & Trunnion not available on: XFU35 Models
³ Not available on: XFU205 & XFU330 Models
⁴ 480V only available on: XFU205 & XFU330 Models
⁵ Photocell available only on: XFU205 & XFU330 Models

X17FA

Family	Wattage	Mounting	Finish	Voltage Rating
X17FA				
15	15W	BLANK	Knuckle ¹	BLANK
35	35W	SF	Slipfitter ²	120-277V
60	60W	T	Trunnion ²	480V ³
80	80W			
105	105W			
140	140W			

¹ Knuckle mount only on: 15W-80W
² Slipfitter & Trunnion not available on: 15W-35W
³ 480V only available on 140W

X17PA

Family	Wattage	CCT	Mounting	Finish	Voltage Rating	Option
X17PA	450					/PCT
450	250W/350W/450W	BLANK N	5000K 4000K	SF T	Slipfitter Trunnion	BLANK Bronze
				BLANK /480	120-277V 480V	/PCT Twist-lock Photocell