



Main Features

Reference	: SSW070171T5SZ
Product code	: 10233130
Product family	: SSW07

Basic data

Power	
- Rated current	: 171 A
- Power supply	: 220-575V
- Power supply type	: TT / TN / IT
- Frequency	: 50/60Hz
- Number of controlled phases	: 3 phases
- Integrated bypass	: Yes

Motor power - standard connection (cv/kW)

- 220/230V	: 60 / 45
- 380/400V	: 125 / 90
- 440/460V	: 125 / 90
- 575V	: 175 / 132
- 690V	: No

Motor power - delta inside connection (cv/kW)

- 220/230V	: No
- 380/400V	: No
- 440/460V	: No
- 575V	: No

Electronic and fan

Supply voltage (control)	: 94-264V
Supply voltage (cooler)	: 94-264V

Connection to the motor

- Standard (3 leads)	: Yes
- Inside delta (6 leads)	: No

Duty cycle

- Estándar [1]	: AC-53b 3-30:1170
- With ventilation kit [2]	: AC-53b 3-30:330

Digital inputs

- Quantity (standard)	: 3
- Type	: AC
- Voltage	: 110 up to 240 Vac
- Minimum high level	: 93 Vac
- Maximum low level	: 10 Vac
- Maximum voltage	: 264 Vac
- Input current	: 1.1 mA @ 220 Vac
- Function	: Programmable via optional
- Reading via communication	: No

Input for motor thermistor

- Quantity (standard)	: Available with optional
- Activation	: Available with optional
- Deactivation	: Available with optional
- Minimum resistance	: Available with optional

Analog outputs

- Quantity (standard)	: No
- Level	: No
- Resolution	: No
- Function	: No
- Write via communication	: No

Digital outputs

- Quantity	: 2
- Type	: NO relay
- Maximum voltage	: 250 Vac
- Maximum current	: 1 A
- Function	: Programmable via optional
- Write via communication	: No

Functions and Features

Control type start and stop

- Voltage ramp	: Yes
- Voltage ramp and current limit	: No
- Current limit	: Yes

DATASHEET

Soft-Starter



- Current limitation ramp : Programmable via optional
- Pump control : Programmable via optional
- Torque control : No
- Direct on line start : Programmable via optional

Functions/Features

Specials functions

- Torque pulse at start (kick start) : Yes
- Jog : Programmable via optional
- DC braking (with contactor) : Programmable via optional
- Optimal Braking (without contactor) : No
- Reverse braking : No
- Changing of the rotation direction : Programmable via optional
- Multimotor application : No
- Emergency start (Fire Mode) : Programmable via optional

Diagnosis

- Latest faults : Yes, 4 last
- Starting and cycle diagnosis : No
- Last previous faults : No
- Last previous alarms : No
- Last previous events : No

Others

- Set-up of the programmable fan : Programmable via optional
- Copy of the parameters via keypad : Yes
- User 1 and user 2 : No
- Oriented Start-up : No
- Protections actuation in errors and alarms : No
- Fault auto reset : Yes
- Real time clock (RTC) : No
- SoftPLC (ladder programming) : No

Slots (para accessories options)

- Quantity : 1
- Digital inputs and outputs expansion : No
- PTC inputs : Yes
- Pt-100 inputs : No
- Current sensor (by extern bypass) : No

Communications (see Communication)

Protections

Voltage

- Power supply phase loss : Yes
- Overvoltage and undervoltage : No
- Voltage imbalance : No
- Electronic undervoltage (control) : Yes

Current

- Overcurrent and undercurrent : Programmable via optional
- Current imbalance : Programmable via optional

Torque

- Overtorque e undertorque : No

Potencia

- Overpower and underpower : No

Temperature

- Thyristor overheating : Yes
- PTC thermistor motor overheating : Available with optional
- PT100 thermocouple motor overheating : No

Overload

- Motor overload (thermal class) : Yes
- Thyristor overload : Yes
- Inverted phase sequence : Yes
- External fault : Programmable via optional
- Not connected motor : Yes
- Wrong motor connection : No
- Frequency out of range : Yes

Ground fault

- Ground fault : No

Bypass

- Bypass not opened : Yes
- Bypass not closed : Yes
- Overcurrent before closing the bypass : Yes
- Undercurrent before closing the bypass : Yes

Time

- Time before starting : No
- Time after starting : Programmable via optional
- Time between starting : No
- Locked rotor at start : Yes

Communications

DATASHEET

Soft-Starter



- Programming error	: Yes
- Communication faults	: Yes
Potencia	
- Power short circuit with motor switched off	: Yes
- Thyristor fault	: No
- Hardware self-diagnosis	: No
Parameterization	
- Parameterization via trim pots and dip switches	: Yes
- Parameterization via keypad	: Available with optional
- Parameterization via software	: Superdrive G2
Local HMI	
- Type	: Optional
Remote HMI	
- Type	: Optional
- Frame for HMI	: No
- HMI degree of protection	: IP54
- Maximum cable length	: 10 m / 32.8 ft
Local or remote HMI data	
- Display	: LED numeric
- Keys	: 8 keys
- Password	: Yes
- Language	: No
- Help	: No
- Copy function	: Yes
- Status graphic (read)	: No
- HMI USB	: No
Communication	
- Modbus-RTU RS-232	: Available with optional
- Modbus-RTU RS-485	: Available with optional
- Modbus-RTU USB	: No
- WEG Bus	: No
- Modbus-TCP	: No
- Profibus-DP	: No
- Profibus-DPV1	: No
- Profinet	: No
- DeviceNet	: Available with optional
- EtherNet/IP	: No
- EtherNet/IP 2P	: No
- Profinet IO 2P	: No
- CANopen	: No
Ambient conditions	
- Enclosure	: IP00
- Pollution degree (UL 508)	: 2
Temperature	
- Minimum	: 0 °C / 32 °F
- Rated	: 55 °C / 131 °F
- Current reduction factor above nominal [3]	: 2% for each degree
Relative humidity (non-condensing)	
- Minimum	: 5 %
- Maximum	: 90 %
Altitude	
- Under rated operating conditions	: 1000 m (3281 ft)
- Maximum allowed with reduction factor [4]	: 4000 m (13123 ft)
- Current reduction factor above 1000 m [5]	: 1 % for each 100 m (328 ft)
- Voltage reduction factor above 2000 m [6]	: 1.1 % for each 100 m (328 ft)
Dimensions	
- Frame	: 3
- Height	: 276 mm / 10.9 in
- Width	: 223 mm / 8.8 in
- Depth	: 220 mm / 8.7 in
- Weight	: 7.6 kg / 16.7 lb
Sustainability Directives	
- RoHS	: Yes
- Conformal coating	: 3C2
Standards Compliance	
- Safety	: UL 508
- Low voltage	: EN 60947-4-2
- Overvoltage category	: III (UL508 / EN61010)
- EMC	: Directive 89/336/EEC
Certifications	
- Product certification	: UL, CE, CS, IRAM and C-TICK

Notes

1) Starting duty cycle AC-53b 3-30:1170:

DATASHEET

Soft-Starter



- 3 x Rated current of the SSW07 during 30 s;
 - 3 starts per hour;
 - 100% of the time with rated current;
 - With bypass;
 - from 0 to 55 °C without current derating
- 3) For temperature over the rated value;
 - 4) With reduction factor;
 - 5) For altitude above 1000 m (3281 ft);
 - 6) For altitude above 2000 m (6562 ft);
 - 7) Image merely illustrative;
 - 8) For further information consult the product manuals SSW07.

1

2

3

4

5

6

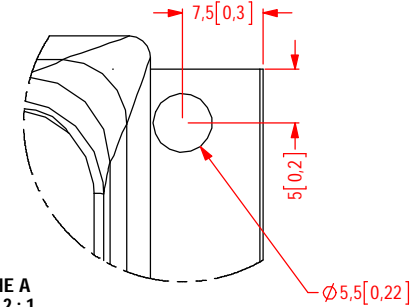
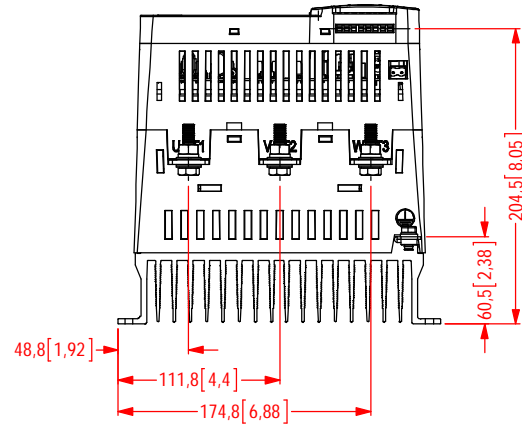
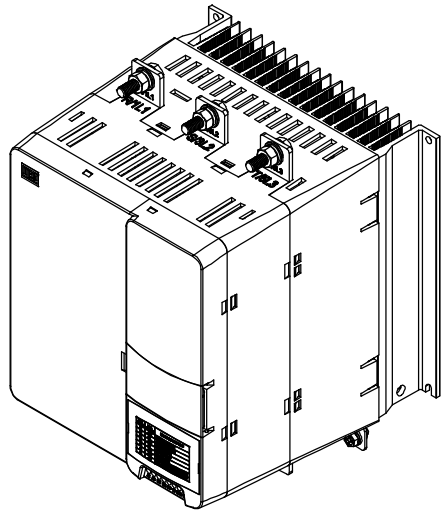
A

B

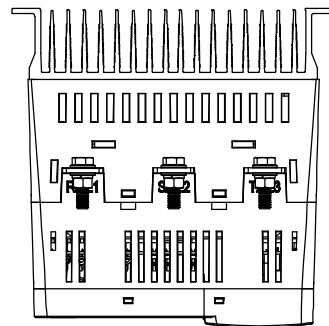
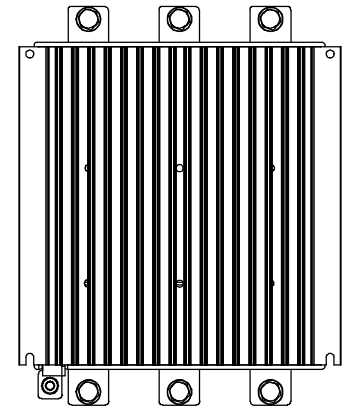
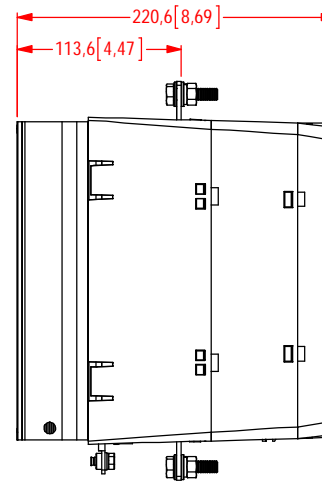
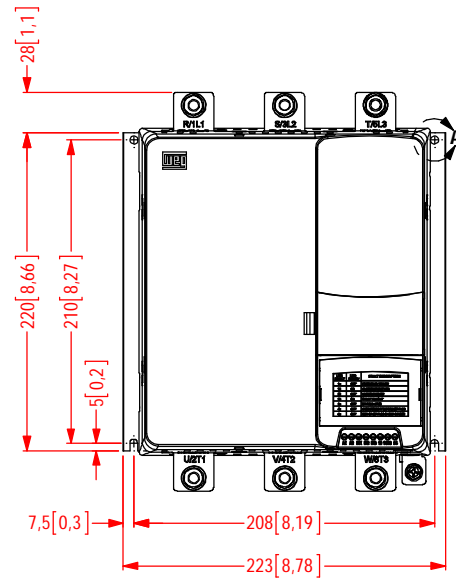
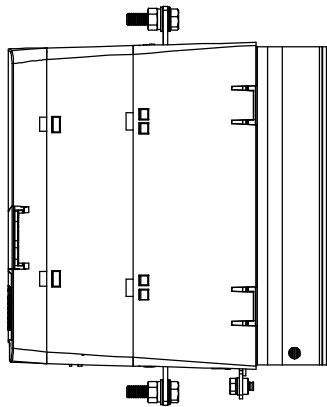
C

D

E



DETALHE A
ESCALA 2 : 1



MASSA BRUTA/GROSS WEIGHT		kg	MASSA LÍQUIDA/NET WEIGHT		kg	ESCALA/SCALE				
ECM	LOC	RESUMO DE MODIFICAÇÕES SUMMARY OF MODIFICATIONS				EXECUTADO EXECUTED	VERIFICADO CHECKED	LIBERADO RELEASED	DATA DATE	VER
EXEC		SSW07				10003574185				
VERIF/CHECKED		MEC03								
LIBER/RELEASED										
DT LIBER/REL DT						FOL/SHEET 1 / 1				