


General Information: Safety Switches

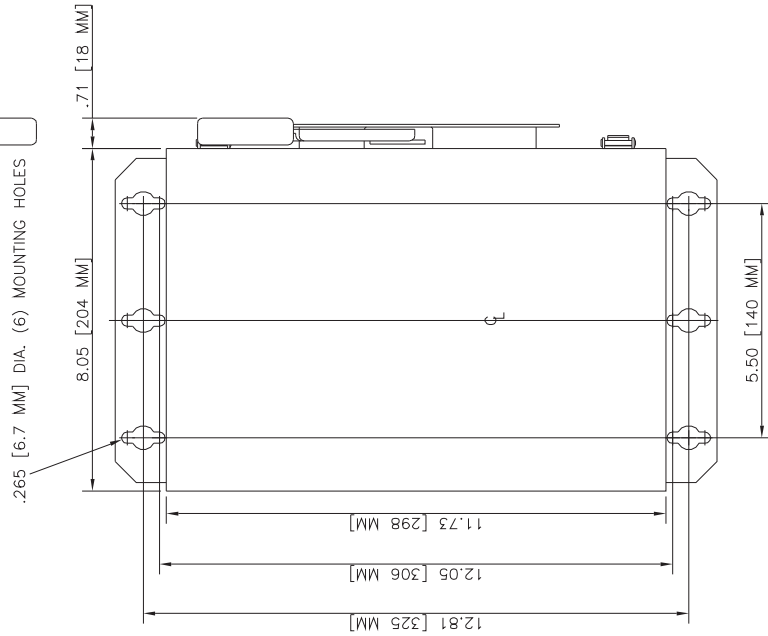
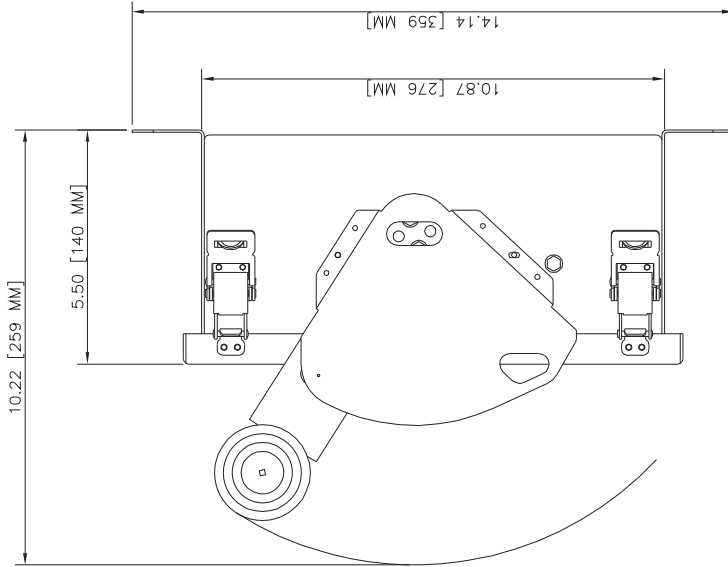
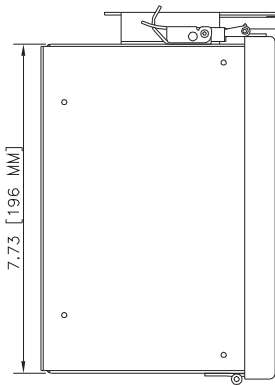
Global Specifications

System Voltage	600 VAC
Switch Type	Single Throw - Heavy Duty
Poles/Blades	3-Pole (use for 2-Pole or 3-Pole)
Amperage	30
Protection	Non-Fusible with No Neutral
Enclosure Type	NEMA 4X (304 Stainless)
Special Paint	No Paint
Fuse Clips	None
Switch Lugs	(1) 14-2
Receptacle Type	None
Fungus Proof Treatment	None
Lock-On Provision	None
Trapped Key Interlock	None
Upper Viewing Window	None
Fuse Pullers	None
Control Pole	None
Ground Lugs	(1) 14-4
Stainless Mechanism	None
Mill Duty	None

Cover Controls

QUANTITY	DESCRIPTION
Nameplate	
Service Entrance Barrier	NEC 230.62 UL98 compliant barrier for additional safety

The information on this document is created by Eaton Corporation. It is disclosed in confidence and it is only to be used for the purpose in which it is supplied.	PREPARED BY Brent Newman DATE 7/23/2024		 <small>Powering Business Worldwide</small>		
	APPROVED BY _____ DATE _____		JOB NAME LYLES SFPUC PHS 2A		
	VERSION 1.0.2.0		TYPE SSW2		DRAWING TYPE Customer Appr.
NEG-ALT Number A4180723X4K1-0000	REVISION 0	DWG SIZE A	G.O.	ITEM	SHEET 1 of 1



TITLE		DIMENSIONS FOR 30 AND 60 AMP 3 POLE NON-FUSIBLE TYPES 4X AND 12	
A	WS	RP	DS9331/1/10/1D
B	MP	F	BUSCHHOE/1/1/1/1
C	CHK	CHK	FIRST ASSY WHERE LISTED

THIRD ANGLE PROJECTION

THE INFORMATION ON THIS DRAWING IS THE PROPERTY OF EATON CORPORATION, IS DISCLOSED IN CONFIDENCE, AND IS NOT TO BE REPRODUCED, USED, OR DISCLOSED EXCEPT FOR THE PURPOSE FOR WHICH IT IS FURNISHED.

Eaton Cutler-Hammer **C 95-1371**

C.2M REV. 10/21/94

FILE AT PTOC

GO/NEG-Alt-Date:
A4180723X4K1-0000-7/23/2024

Job Name:
LYLES SFPUC PHS 2A

Item Number:
DH361UWK

Designation:


General Information: Safety Switches

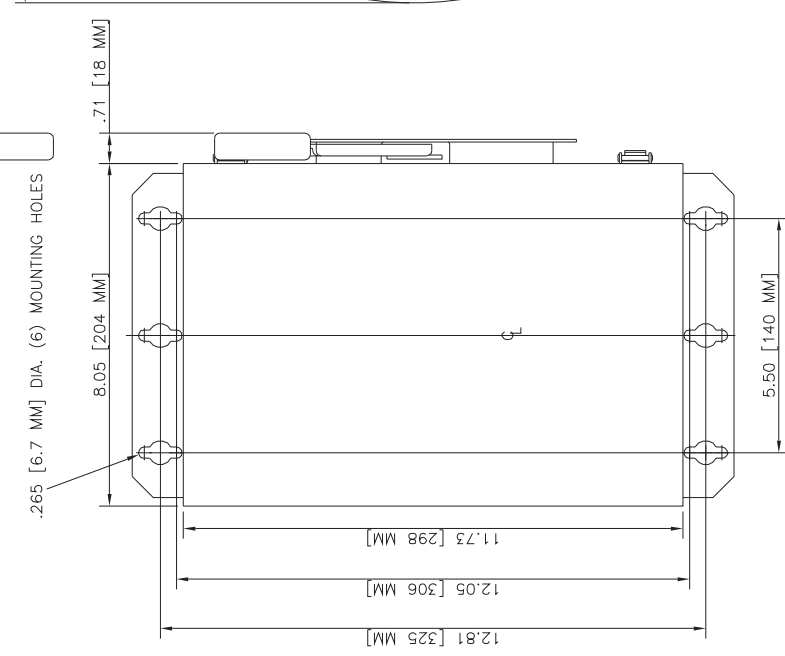
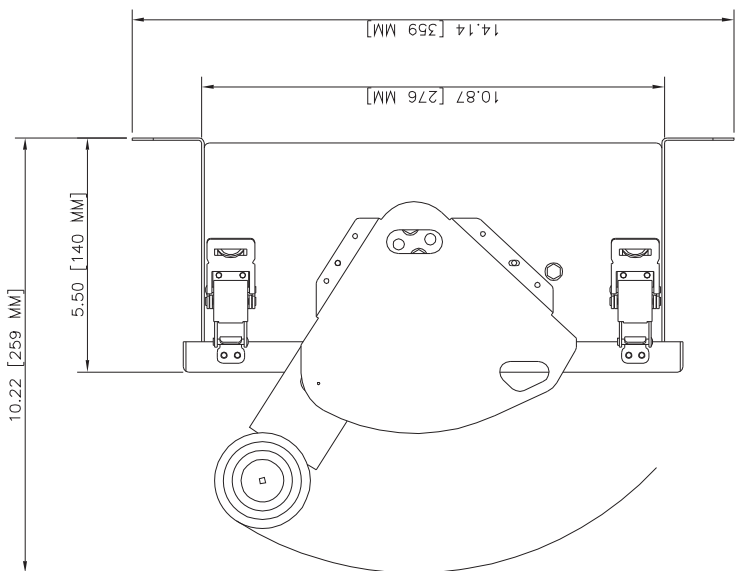
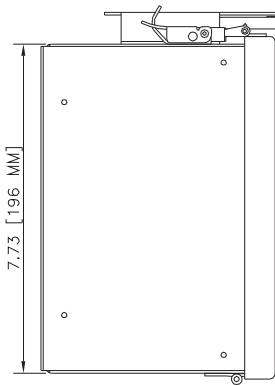
Global Specifications

System Voltage	600 VAC
Switch Type	Single Throw - Heavy Duty
Poles/Blades	3-Pole (use for 2-Pole or 3-Pole)
Amperage	30
Protection	Non-Fusible with No Neutral
Enclosure Type	NEMA 4X (304 Stainless)
Special Paint	No Paint
Fuse Clips	None
Switch Lugs	(1) 14-2
Receptacle Type	None
Fungus Proof Treatment	None
Lock-On Provision	None
Trapped Key Interlock	None
Upper Viewing Window	None
Fuse Pullers	None
Control Pole	None
Ground Lugs	(1) 14-4
Stainless Mechanism	None
Mill Duty	None

Cover Controls

QUANTITY	DESCRIPTION
Nameplate	
Service Entrance Barrier	NEC 230.62 UL98 compliant barrier for additional safety

The information on this document is created by Eaton Corporation. It is disclosed in confidence and it is only to be used for the purpose in which it is supplied.	PREPARED BY Brent Newman	DATE 7/23/2024	 Powering Business Worldwide		
	APPROVED BY	DATE	JOB NAME LYLES SFPUC PHS 2A		
	VERSION 1.0.2.0	TYPE SSW2	DESIGNATION DRAWING TYPE Customer Appr.		
NEG-ALT Number A4180723X4K1-0000	REVISION 0	DWG SIZE A	G.O.	ITEM	SHEET 1 of 1



TITLE DIMENSIONS FOR 30 AND 60 AMP 3 POLE NON-FUSIBLE TYPES 4X AND 12

A	WS	RP	DS9331/1/10/1D	APP. F. BISCHEFF/1/1/1/1	BY	DATE	CHK.
B							
C							

BY APP. F. BISCHEFF/1/1/1/1
DATE
CHK.

THIRD ANGLE PROJECTION

THE INFORMATION ON THIS DRAWING IS THE PROPERTY OF EATON CORPORATION, IS DISCLOSED IN CONFIDENCE, AND IS NOT TO BE REPRODUCED, USED, OR DISCLOSED EXCEPT FOR THE PURPOSE FOR WHICH IT IS FURNISHED.

Eaton Cutler-Hammer **C 95-1371**

C.2M REV. 10/21/94

FILE AT PTOC

GO/NEG-Alt-Date: A4180723X4K1-0000-7/23/2024		Job Name: LYLES SFPUC PHS 2A
Item Number:	Catalog Number: DH361UWK	Designation: