

TRIO-PS-2G/1AC/24DC/5 - Power supply unit



2903148

<https://www.phoenixcontact.com/us/products/2903148>

Please be informed that the data shown in this PDF document is generated from our online catalog. Please find the complete data in the user documentation. Our general terms of use for downloads are valid.



Primary-switched TRIO POWER power supply with push-in connection for DIN rail mounting, input: 1-phase, output: 24 V DC/5 A

Product description

TRIO POWER power supplies with standard functionality

The TRIO POWER power supply range with push-in connection has been perfected for use in machine building. All functions and the space-saving design of the single and three-phase modules are optimally tailored to the stringent requirements. Under challenging ambient conditions, the power supply units, which feature an extremely robust electrical and mechanical design, ensure the reliable supply of all loads.

Your advantages

- Save time and costs, thanks to the Push-in connection and narrow design
- Increase system availability, thanks to dynamic boost with 150% of the nominal current for five seconds
- Maximum flexibility due to the wide temperature range from -25°C to +70°C and device startup at -40°C
- Rugged design

Commercial data

Item number	2903148
Packing unit	1 pc
Minimum order quantity	1 pc
Sales key	CM12
Product key	CMPO13
Catalog page	Page 255 (C-4-2019)
GTIN	4046356960847
Weight per piece (including packing)	441 g
Weight per piece (excluding packing)	440.4 g
Customs tariff number	85044095
Country of origin	CN

TRIO-PS-2G/1AC/24DC/5 - Power supply unit



2903148

<https://www.phoenixcontact.com/us/products/2903148>

Technical data

Input data

AC operation

Network type	Star network
Nominal input voltage range	100 V AC ... 240 V AC
Input voltage range	100 V AC ... 240 V AC -15 % ... +10 %
Input voltage range AC	85 V AC ... 264 V AC
Electric strength, max.	≤ 300 V AC 15 s
Typical national grid voltage	120 V AC 230 V AC
Voltage type of supply voltage	AC/DC
Inrush current	≤ 16 A (typical)
Inrush current integral (I^2t)	< 0.6 A ² s
Inrush current limitation	typ. 16 A (after 1 ms)
AC frequency range	50 Hz ... 60 Hz ±10 %
Mains buffering time	typ. 20 ms (120 V AC) typ. 100 ms (230 V AC)
Current consumption	2.2 A (100 V AC) 1.9 A (120 V AC) 1.1 A (230 V AC) 1.1 A (240 V AC)
Nominal power consumption	272 VA
Protective circuit	Transient surge protection; Varistor
Power factor (cos phi)	0.5
Typical response time	< 1 s
Input fuse	6.3 A (internal (device protection))
Recommended breaker for input protection	6 A ... 16 A (Characteristics B, C, D, K)
Discharge current to PE	< 0.25 mA

DC operation

Nominal input voltage range	110 V DC ... 250 V DC
Input voltage range	99 V DC ... 275 V DC
Switch-on voltage	≥ 88 V DC
Shut-down voltage	< 60 V DC
Voltage type of supply voltage	AC/DC
Mains buffering time	> 100 ms (230 V AC)
Current consumption	1.4 A (110 V DC) 0.6 A (250 V DC)

Output data

Efficiency	> 90 % (for 230 V AC and nominal values)
Output characteristic	U/I with dynamic load reserve

TRIO-PS-2G/1AC/24DC/5 - Power supply unit



2903148

<https://www.phoenixcontact.com/us/products/2903148>

Nominal output voltage	24 V DC $\pm 1\%$
Setting range of the output voltage (U_{Set})	24 V DC ... 28 V DC (> 24 V DC, constant capacity restricted)
Nominal output current (I_N)	5 A
Dynamic Boost ($I_{Dyn.Boost}$)	7.5 A (5 s)
Derating	> 60 °C ... 70 °C (2.5 %/K)
Feedback voltage resistance	≤ 35 V DC
Protection against overvoltage at the output (OVP)	≤ 30 V DC
Control deviation	< 1 % (change in load, static 10 % ... 90 %)
	< 3 % (Dynamic load change 10 % ... 90 %, 10 Hz)
	< 0.1 % (change in input voltage $\pm 10\%$)
Residual ripple	< 50 mV _{PP} (with nominal values)
Output power	120 W
	180 W
Maximum no-load power dissipation	< 1 W
Power loss nominal load max.	< 16 W
Rise time	≤ 12 ms (U_{OUT} (10 % ... 90 %))
Connection in parallel	yes, for redundancy and increased capacity
Connection in series	yes

Signal: DC OK

Maximum switching voltage	30 V AC/DC
Continuous load current	100 mA

Connection data

Input

Connection method	Push-in connection
Conductor cross section, rigid min.	0.2 mm ²
Conductor cross section, rigid max.	4 mm ²
Conductor cross section flexible min.	0.2 mm ²
Conductor cross section flexible max.	2.5 mm ²
Conductor cross section AWG min.	24
Conductor cross section AWG max.	12
Stripping length	10 mm

Output

Connection method	Push-in connection
Conductor cross section, rigid min.	0.2 mm ²
Conductor cross section, rigid max.	4 mm ²
Conductor cross section flexible min.	0.2 mm ²
Conductor cross section flexible max.	2.5 mm ²
Conductor cross section AWG min.	24
Conductor cross section AWG max.	12
Stripping length	8 mm

Signal

TRIO-PS-2G/1AC/24DC/5 - Power supply unit



2903148

<https://www.phoenixcontact.com/us/products/2903148>

Connection method	Push-in connection
Conductor cross section, rigid min.	0.2 mm ²
Conductor cross section, rigid max.	1.5 mm ²
Conductor cross section flexible min.	0.2 mm ²
Conductor cross section flexible max.	1.5 mm ²
Conductor cross section AWG min.	24
Conductor cross section AWG max.	16
Stripping length	8 mm

Signaling

Types of signaling	LED
	Floating signal contact

Signal output: LED status indicator

Signalization designation	DC OK
Status display	"DC OK" LED
Color	green

Electrical properties

Number of phases	1.00
Insulation voltage input/output	3 kV AC (type test)
	1.5 kV AC (routine test)

Product properties

Product type	Power supply
Product family	TRIO POWER
MTBF (IEC 61709, SN 29500)	> 3380000 h (25 °C)
	> 1970000 h (40 °C)
	> 900000 h (60 °C)

Data management status

Article revision	07
------------------	----

Insulation characteristics

Protection class	II (in closed control cabinet)
Degree of pollution	2

Dimensions

Width	35 mm
Height	130 mm
Depth	115 mm

Installation dimensions

Installation distance right/left	0 mm / 0 mm
Installation distance top/bottom	50 mm / 50 mm

TRIO-PS-2G/1AC/24DC/5 - Power supply unit



2903148

<https://www.phoenixcontact.com/us/products/2903148>

Mounting

Mounting type	DIN rail mounting
Assembly note	alignable: horizontally 0 mm ($\leq 40\text{ °C}$) 10 mm ($\leq 70\text{ °C}$), vertically 50 mm
Mounting position	horizontal DIN rail NS 35, EN 60715
With protective coating	No

Material specifications

Flammability rating according to UL 94 (housing / terminal blocks)	V0
Housing material	Plastic
Type of housing	Polycarbonate
Hood version	Polycarbonate

Environmental and real-life conditions

Ambient conditions

Degree of protection	IP20
Ambient temperature (operation)	-25 °C ... 70 °C (> 60 °C Derating: 2,5 %/K)
Ambient temperature (storage/transport)	-40 °C ... 85 °C
Ambient temperature (start-up type tested)	-40 °C
Maximum altitude	$\leq 5000\text{ m}$ (> 2000 m, Derating: 10 %/1000 m)
Climatic class	3K3 (in acc. with EN 60721)
Max. permissible relative humidity (operation)	$\leq 95\%$ (at 25 °C, non-condensing)
Shock	18 ms, 30g, in each space direction (according to IEC 60068-2-27)
Vibration (operation)	< 15 Hz, amplitude $\pm 2.5\text{ mm}$ (according to IEC 60068-2-6) 15 Hz ... 150 Hz, 4g, 90 min.

Standards and regulations

Rail applications	EN 50121-4
Standard – Electronic equipment for use in electrical power installations and their assembly into electrical power installations	EN 50178/VDE 0160 (PELV)
Standard – Limitation of mains harmonic currents	EN 61000-3-2
Standard - Electrical safety	IEC 62368-1 (SELV)
Standard – Safety extra-low voltage	IEC 62368-1 (SELV) und EN 60204-1 (PELV)
Standard - Safe isolation	DIN VDE 0100-410
Standard - Safety of transformers	EN 61558-2-16 (air clearances and creepage distances only)

Approvals

UL approvals	UL Listed UL 508
	UL/C-UL Recognized UL 60950-1
	UL ANSI/ISA-12.12.01 Class I, Division 2, Groups A, B, C, D (Hazardous Location)

Conformity/Approvals

TRIO-PS-2G/1AC/24DC/5 - Power supply unit



2903148

<https://www.phoenixcontact.com/us/products/2903148>

SIL in accordance with IEC 61508	0
----------------------------------	---

EMC data

Low Voltage Directive	Conformance with Low Voltage Directive 2014/35/EC
EMC requirements for noise emission	EN 61000-6-3
	EN 61000-6-4
EMC requirements for noise immunity	EN 61000-6-1
	EN 61000-6-2
Electromagnetic compatibility	Conformance with EMC Directive 2014/30/EU
Noise emission	EN 55011 (EN 55022)

Electrostatic discharge

Standards/regulations	EN 61000-4-2
-----------------------	--------------

Electrostatic discharge

Contact discharge	6 kV (Test Level 4)
Discharge in air	8 kV (Test Level 4)
Comments	Criterion A

Electromagnetic HF field

Standards/regulations	EN 61000-4-3
-----------------------	--------------

Electromagnetic HF field

Frequency range	80 MHz ... 1 GHz
Test field strength	10 V/m (Test Level 3)
Frequency range	1 GHz ... 2 GHz
Test field strength	10 V/m (Test Level 3)
Frequency range	2 GHz ... 3 GHz
Test field strength	10 V/m (Test Level 3)
Comments	Criterion A

Fast transients (burst)

Standards/regulations	EN 61000-4-4
-----------------------	--------------

Fast transients (burst)

Input	4 kV (Test Level 4 - asymmetrical)
Output	2 kV (Test Level 3 - asymmetrical)
Signal	1 kV (Test Level 2 - asymmetrical)
Comments	Criterion A

Surge voltage load (surge)

Standards/regulations	EN 61000-4-5
-----------------------	--------------

Surge voltage load (surge)

Input	1 kV (Test Level 2 - symmetrical)
	2 kV (Test Level 3 - asymmetrical)
Output	0.5 kV (Test Level 1 - symmetrical)
	0.5 kV (Test Level 1 - asymmetrical)

TRIO-PS-2G/1AC/24DC/5 - Power supply unit



2903148

<https://www.phoenixcontact.com/us/products/2903148>

Signal	1 kV (Test Level 2 - asymmetrical)
Comments	Criterion B

Conducted interference

Standards/regulations	EN 61000-4-6
-----------------------	--------------

Conducted interference

Input/Output	asymmetrical
Frequency range	0.15 MHz ... 80 MHz
Comments	Criterion A
Voltage	10 V (Test Level 3)

Emitted interference

Standards/regulations	EN 61000-6-3
Radio interference voltage in acc. with EN 55011	EN 55011 (EN 55022) Class B, area of application: Industry and residential
Emitted radio interference in acc. with EN 55011	EN 55011 (EN 55022) Class B, area of application: Industry and residential

Criteria

Criterion A	Normal operating behavior within the specified limits.
Criterion B	Temporary impairment to operational behavior that is corrected by the device itself.

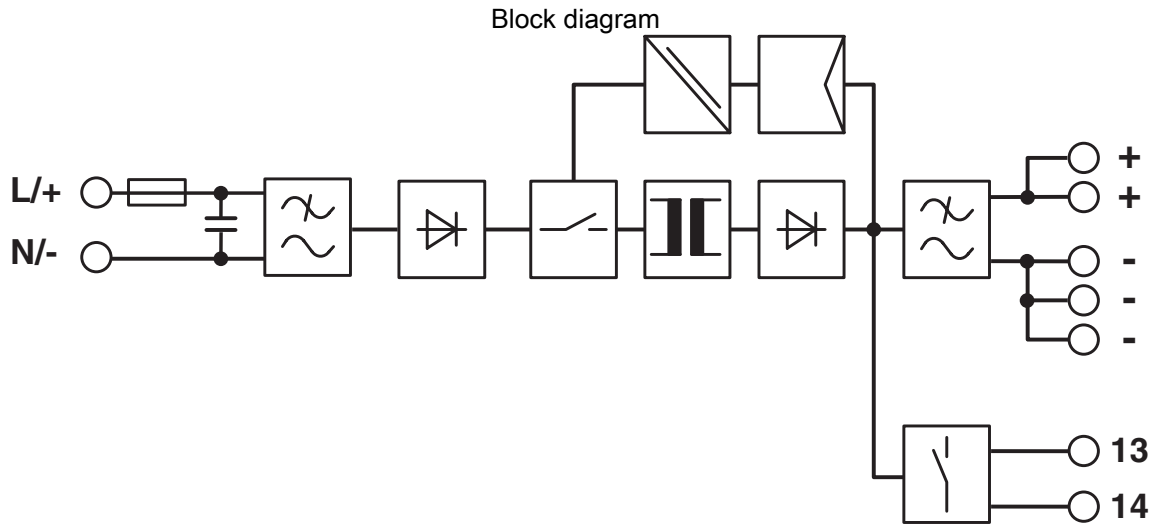
TRIO-PS-2G/1AC/24DC/5 - Power supply unit



2903148

<https://www.phoenixcontact.com/us/products/2903148>

Drawings



TRIO-PS-2G/1AC/24DC/5 - Power supply unit



2903148

<https://www.phoenixcontact.com/us/products/2903148>

Approvals

To download certificates, visit the product detail page: <https://www.phoenixcontact.com/us/products/2903148>



cUL Recognized
Approval ID: E211944



UL Recognized
Approval ID: E211944



IECEE CB Scheme
Approval ID: DK-44782-A1-M1-UL



EAC
Approval ID: RU S-DE.BL08.W.00764



UL Listed
Approval ID: E123528



cUL Listed
Approval ID: FILE E 123528

DNV

Approval ID: TAA00000BM



IECEE CB Scheme
Approval ID: DE/PTZ/0036/A1

BIS Licence Document

Approval ID: R-41214701



cUL Listed
Approval ID: E199827



UL Listed
Approval ID: E199827

TRIO-PS-2G/1AC/24DC/5 - Power supply unit



2903148

<https://www.phoenixcontact.com/us/products/2903148>

cULus Recognized

cULus Listed

cULus Listed

TRIO-PS-2G/1AC/24DC/5 - Power supply unit



2903148

<https://www.phoenixcontact.com/us/products/2903148>

Classifications

ECLASS

ECLASS-11.0	27040701
ECLASS-13.0	27040701
ECLASS-12.0	27040701

ETIM

ETIM 9.0	EC002540
----------	----------

UNSPSC

UNSPSC 21.0	39121000
-------------	----------

TRIO-PS-2G/1AC/24DC/5 - Power supply unit



2903148

<https://www.phoenixcontact.com/us/products/2903148>

Environmental product compliance

EU RoHS

Fulfills EU RoHS substance requirements	Yes
Exemption	7(a), 7(c)-I

China RoHS

Environment friendly use period (EFUP)	EFUP-25
	An article-related China RoHS declaration table can be found in the download area for the respective article under "Manufacturer declaration". For all articles with EFUP-E, no China RoHS declaration table issued and required.

EU REACH SVHC

REACH candidate substance (CAS No.)	Lead(CAS: 7439-92-1)
SCIP	918d0fde-c148-443b-af24-7f00b6feb9d

EF3.0 Climate Change

CO2e kg	6.441 kg CO2e
---------	---------------

TRIO-PS-2G/1AC/24DC/5 - Power supply unit



2903148

<https://www.phoenixcontact.com/us/products/2903148>

Accessories

CBM E4 24DC/0.5-10A NO-R - Electronic circuit breaker

2905743

<https://www.phoenixcontact.com/us/products/2905743>



Multi-channel, electronic circuit breaker with active current limitation for protecting four loads at 24 V DC in the event of overload and short circuit. With nominal current assistant and electronic locking of the set nominal currents. For installation on DIN rails.

CBM E8 24DC/0.5-10A NO-R - Electronic circuit breaker

2905744

<https://www.phoenixcontact.com/us/products/2905744>



Multi-channel, electronic circuit breaker with active current limitation for protecting eight loads at 24 V DC in the event of overload and short circuit. With nominal current assistant and electronic locking of the set nominal currents. For installation on DIN rails.

TRIO-PS-2G/1AC/24DC/5 - Power supply unit



2903148

<https://www.phoenixcontact.com/us/products/2903148>

VIP-2/SC/PDM-2/24 - Potential distributors

2315269

<https://www.phoenixcontact.com/us/products/2315269>



VARIOFACE module, with two equipotential busbars (P1, P2) for potential distribution, for mounting on NS 35 rails. Module width: 70.4 mm

VIP-3/PT/PDM-2/24 - Potential distributors

2903798

<https://www.phoenixcontact.com/us/products/2903798>



VARIOFACE module with push-in connection and two equipotential busbars (P1, P2) for potential distribution, for mounting on NS 35 rails. Module width: 57.1 mm

Phoenix Contact 2024 © - all rights reserved
<https://www.phoenixcontact.com>

Phoenix Contact USA
586 Fulling Mill Road
Middletown, PA 17057, United States
(+717) 944-1300
info@phoenixcon.com