

# EO-AB/UT/LED/DUO/V/GFI/20 - Double socket



1263627

<https://www.phoenixcontact.com/us/products/1263627>

Please be informed that the data shown in this PDF document is generated from our online catalog. Please find the complete data in the user documentation. Our general terms of use for downloads are valid.



Double socket in vertical arrangement, pin connector pattern type AB, Push-in spring connection, LED display, integrated residual current device (GFCI), gray, for mounting on a DIN rail or direct mounting, 125 V AC, 60 Hz, 15 A, -20°C, 60°C, UL 508 A

## Commercial data

Item number	1263627
Packing unit	1 pc
Minimum order quantity	1 pc
Sales key	BE76
Product key	BE7623
GTIN	4063151375379
Weight per piece (including packing)	286.3 g
Weight per piece (excluding packing)	286.3 g
Customs tariff number	85366990
Country of origin	PL

1263627

<https://www.phoenixcontact.com/us/products/1263627>

## Technical data

### Product properties

Product type	Socket
Country ID	USA
Response time	25 ms (6 mA)

### Data management status

Article revision	03
------------------	----

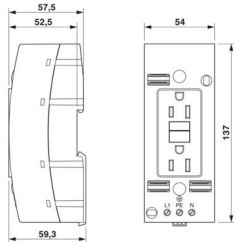
### Connection data

Stripping length	8 mm
Conductor cross section rigid	0.2 mm <sup>2</sup> ... 4 mm <sup>2</sup>
Cross section AWG	24 ... 12 (converted acc. to IEC)
Conductor cross section flexible	0.2 mm <sup>2</sup> ... 2.5 mm <sup>2</sup>
Nominal current	20 A
Nominal voltage	125 V AC (60 Hz)

### Signaling

Status display	yes
----------------	-----

### Dimensions

Dimensional drawing	
Width	54 mm
Height	137 mm
Depth	137 mm

### Material specifications

Color	gray (RAL 7042)
Flammability rating according to UL 94	V2
Insulating material	PA
Contact material	CuZn37
Static insulating material application in cold	-60 °C
Temperature index of insulation material (DIN EN 60216-1 (VDE 0304-21))	130 °C
Relative insulation material temperature index (Elec., UL 746 B)	130 °C
Fire protection for rail vehicles (DIN EN 45545-2) R22	HL 1 - HL 3
Fire protection for rail vehicles (DIN EN 45545-2) R23	HL 1 - HL 3

# EO-AB/UT/LED/DUO/V/GFI/20 - Double socket



1263627

<https://www.phoenixcontact.com/us/products/1263627>

Fire protection for rail vehicles (DIN EN 45545-2) R24	HL 1 - HL 3
Fire protection for rail vehicles (DIN EN 45545-2) R26	HL 1 - HL 3
Surface flammability NFPA 130 (ASTM E 162)	passed
Specific optical density of smoke NFPA 130 (ASTM E 662)	passed
Smoke gas toxicity NFPA 130 (SMP 800C)	passed

## Connector

Type of plug	Pin connector pattern type AB 20A
--------------	-----------------------------------

## Environmental and real-life conditions

### Ambient conditions

Degree of protection	IP20
Ambient temperature (operation)	-20 °C ... 60 °C (max. short-term operating temperature RTI Elec. )

## Standards and regulations

### Standards

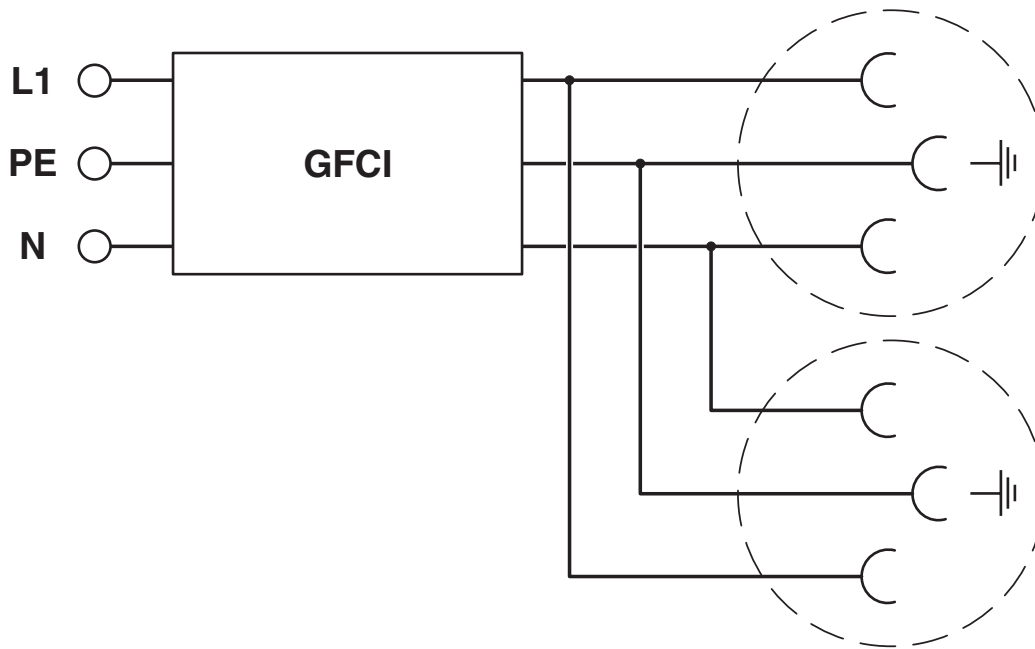
Standards/regulations	UL 508A
-----------------------	---------

## Mounting

Mounting type	DIN rail or direct mounting
---------------	-----------------------------

Drawings

Circuit diagram



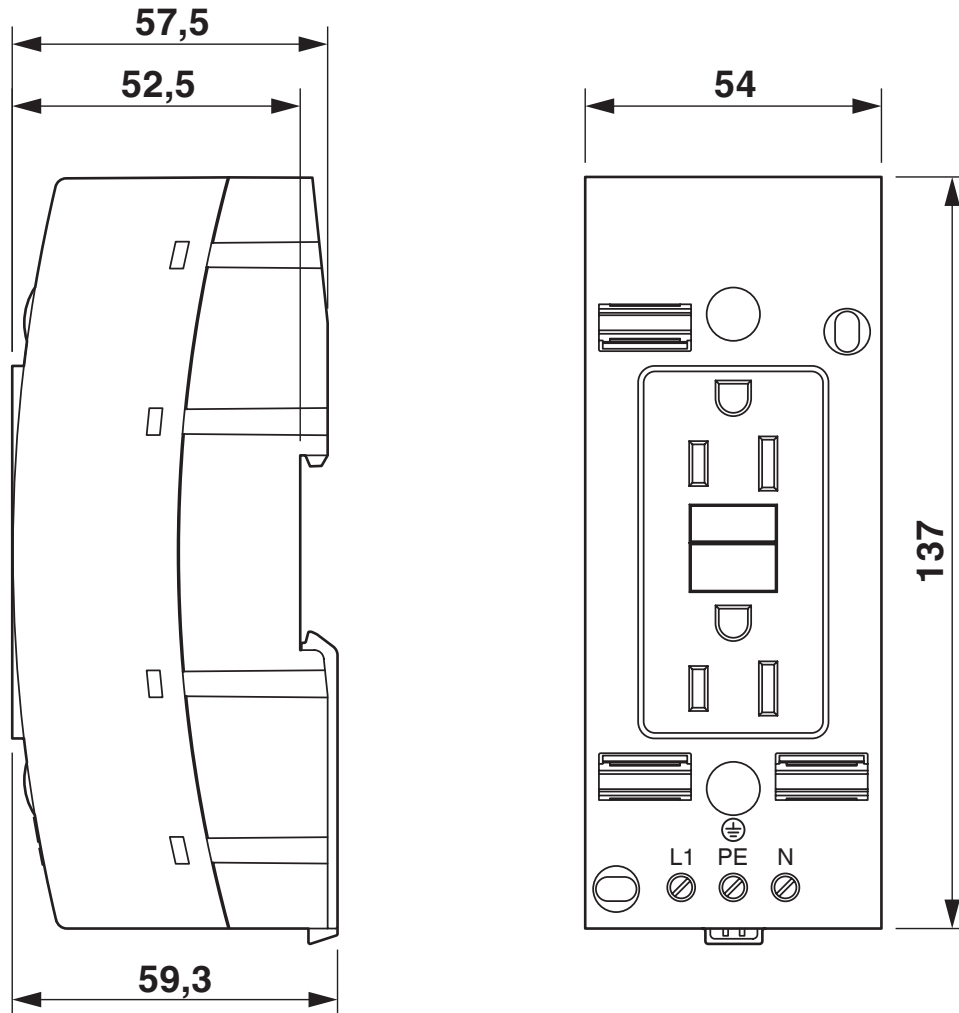
# EO-AB/UT/LED/DUO/V/GFI/20 - Double socket



1263627

<https://www.phoenixcontact.com/us/products/1263627>

Dimensional drawing



# EO-AB/UT/LED/DUO/V/GFI/20 - Double socket





1263627

<https://www.phoenixcontact.com/us/products/1263627>

## Approvals

To download certificates, visit the product detail page: <https://www.phoenixcontact.com/us/products/1263627>

 <b>cULus Recognized</b> Approval ID: E255026				
	Nominal voltage $U_N$	Nominal current $I_N$	Cross section AWG	Cross section $\text{mm}^2$
	120 V	20 A	24 - 12	-

 <b>CSA</b> Approval ID: 13631				
	Nominal voltage $U_N$	Nominal current $I_N$	Cross section AWG	Cross section $\text{mm}^2$
	120 V	20 A	24 - 12	-

# EO-AB/UT/LED/DUO/V/GFI/20 - Double socket



1263627

<https://www.phoenixcontact.com/us/products/1263627>

## Classifications

### ECLASS

ECLASS-11.0	27142305
ECLASS-12.0	27142305
ECLASS-13.0	27142305

### ETIM

ETIM 9.0	EC001663
----------	----------

### UNSPSC

UNSPSC 21.0	39121406
-------------	----------

1263627

<https://www.phoenixcontact.com/us/products/1263627>

## Environmental product compliance

### EU RoHS

Fulfills EU RoHS substance requirements	Yes
Exemption	6(a), 7(a), 7(c)-I

### China RoHS

Environment friendly use period (EFUP)	EFUP-25
	An article-related China RoHS declaration table can be found in the download area for the respective article under "Manufacturer declaration". For all articles with EFUP-E, no China RoHS declaration table issued and required.

### EU REACH SVHC

REACH candidate substance (CAS No.)	Lead(CAS: 7439-92-1)
SCIP	85d373d5-cced-4a5f-9a51-dfcce449d4e0



# EO-AB/UT/LED/DUO/V/GFI/20 - Double socket



1263627

<https://www.phoenixcontact.com/us/products/1263627>

## Accessories

### UC-TMF 16 - Marker for terminal blocks

0819262

<https://www.phoenixcontact.com/us/products/0819262>



Marker for terminal blocks, Sheet, white, unlabeled, can be labeled with: BLUEMARK ID COLOR, BLUEMARK ID, BLUEMARK CLED, PLOTMARK, CMS-P1-PLOTTER, mounting type: latching, for terminal block width: 16 mm, lettering field size: 15.45 x 5.1 mm, Number of individual labels: 32

---

### ZBF 16:UNPRINTED - Zack Marker strip, flat

0827464

<https://www.phoenixcontact.com/us/products/0827464>



Zack Marker strip, flat, Strip, white, unlabeled, can be labeled with: PLOTMARK, CMS-P1-PLOTTER, mounting type: latching, for terminal block width: 16 mm, lettering field size: 16.25 x 10.5 mm, Number of individual labels: 50

---

Phoenix Contact 2024 © - all rights reserved

<https://www.phoenixcontact.com>

Phoenix Contact USA

586 Fulling Mill Road

Middletown, PA 17057, United States

(+717) 944-1300

[info@phoenixcon.com](mailto:info@phoenixcon.com)