

EO-AB/UT/LED/DUO/V/GFI/15 - Double socket



1263628

<https://www.phoenixcontact.com/us/products/1263628>

Please be informed that the data shown in this PDF document is generated from our online catalog. Please find the complete data in the user documentation. Our general terms of use for downloads are valid.



Double socket in vertical arrangement, pin connector pattern type AB, screw connection, LED display, integrated residual current device (GFCI), gray, for mounting on a DIN rail or direct mounting, 125 V AC, 60 Hz, 20 A, -20°C, 60°C, UL 508 A

Commercial data

| | |
|--------------------------------------|---------------|
| Item number | 1263628 |
| Packing unit | 1 pc |
| Minimum order quantity | 1 pc |
| Sales key | BE76 |
| Product key | BE7613 |
| GTIN | 4063151375386 |
| Weight per piece (including packing) | 286.6 g |
| Weight per piece (excluding packing) | 286 g |
| Customs tariff number | 85366990 |
| Country of origin | PL |

1263628

<https://www.phoenixcontact.com/us/products/1263628>

Technical data

Product properties

| | |
|---------------|--------------|
| Product type | Socket |
| Country ID | USA |
| Response time | 25 ms (6 mA) |

Data management status

| | |
|------------------|----|
| Article revision | 02 |
|------------------|----|

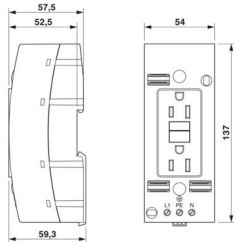
Connection data

| | |
|----------------------------------|---|
| Stripping length | 8 mm |
| Conductor cross section rigid | 0.2 mm ² ... 4 mm ² |
| Cross section AWG | 24 ... 12 (converted acc. to IEC) |
| Conductor cross section flexible | 0.2 mm ² ... 2.5 mm ² |
| Nominal current | 15 A |
| Nominal voltage | 125 V AC (60 Hz) |

Signaling

| | |
|----------------|-----|
| Status display | yes |
|----------------|-----|

Dimensions

| | |
|---------------------|--|
| Dimensional drawing |  |
| Width | 54 mm |
| Height | 137 mm |
| Depth | 137 mm |

Material specifications

| | |
|---|-----------------|
| Color | gray (RAL 7042) |
| Flammability rating according to UL 94 | V2 |
| Insulating material | PA |
| Contact material | CuZn37 |
| Static insulating material application in cold | -60 °C |
| Temperature index of insulation material (DIN EN 60216-1 (VDE 0304-21)) | 130 °C |
| Relative insulation material temperature index (Elec., UL 746 B) | 130 °C |
| Fire protection for rail vehicles (DIN EN 45545-2) R22 | HL 1 - HL 3 |
| Fire protection for rail vehicles (DIN EN 45545-2) R23 | HL 1 - HL 3 |

EO-AB/UT/LED/DUO/V/GFI/15 - Double socket



1263628

<https://www.phoenixcontact.com/us/products/1263628>

| | |
|---|-------------|
| Fire protection for rail vehicles (DIN EN 45545-2) R24 | HL 1 - HL 3 |
| Fire protection for rail vehicles (DIN EN 45545-2) R26 | HL 1 - HL 3 |
| Surface flammability NFPA 130 (ASTM E 162) | passed |
| Specific optical density of smoke NFPA 130 (ASTM E 662) | passed |
| Smoke gas toxicity NFPA 130 (SMP 800C) | passed |

Connector

| | |
|--------------|-----------------------------------|
| Type of plug | Pin connector pattern type AB 15A |
|--------------|-----------------------------------|

Environmental and real-life conditions

Ambient conditions

| | |
|---------------------------------|---|
| Degree of protection | IP20 |
| Ambient temperature (operation) | -20 °C ... 60 °C (max. short-term operating temperature RTI Elec.) |

Standards and regulations

Standards

| | |
|-----------------------|---------|
| Standards/regulations | UL 508A |
|-----------------------|---------|

Mounting

| | |
|---------------|-----------------------------|
| Mounting type | DIN rail or direct mounting |
|---------------|-----------------------------|

EO-AB/UT/LED/DUO/V/GFI/15 - Double socket

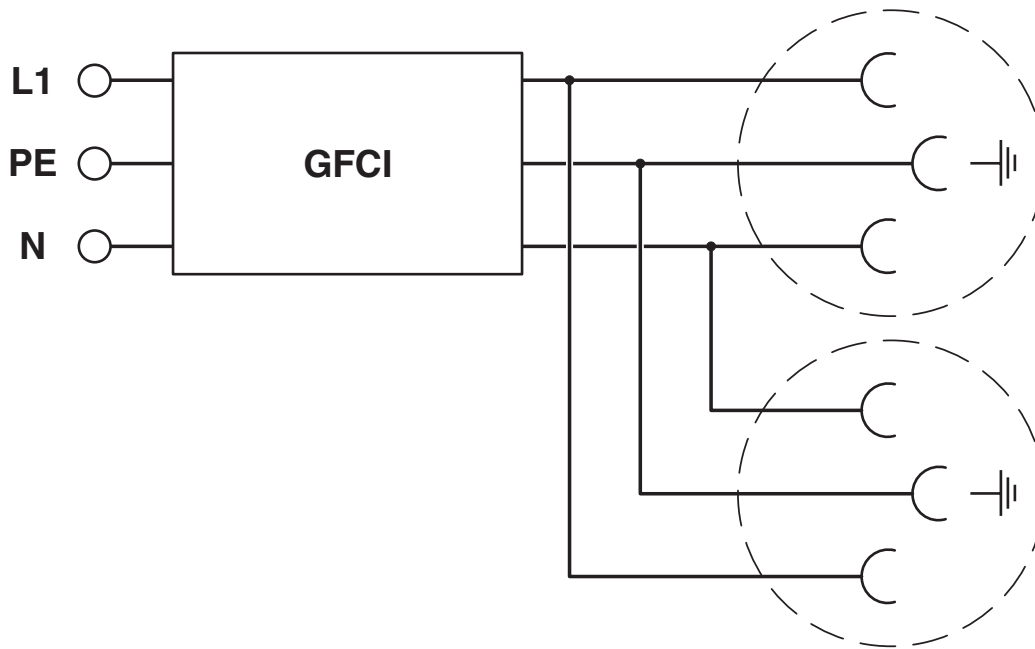


1263628

<https://www.phoenixcontact.com/us/products/1263628>

Drawings

Circuit diagram



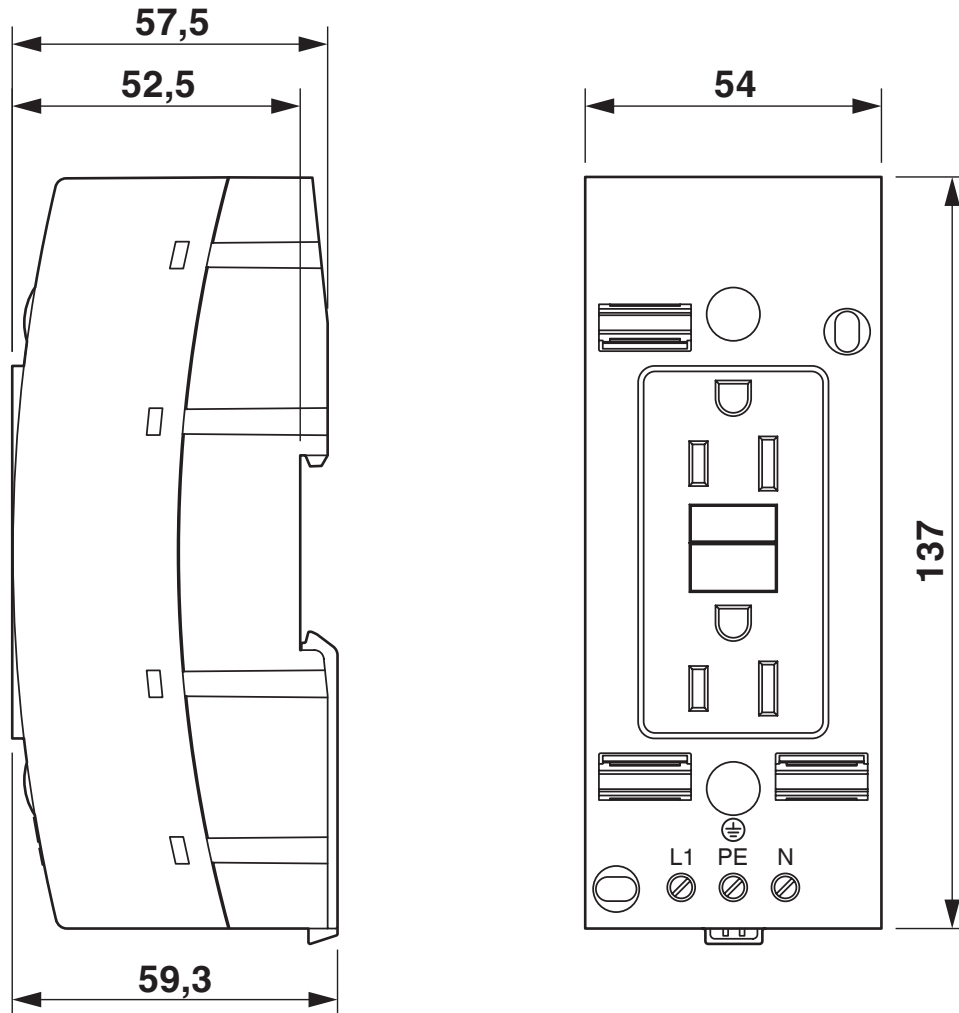
EO-AB/UT/LED/DUO/V/GFI/15 - Double socket



1263628

<https://www.phoenixcontact.com/us/products/1263628>

Dimensional drawing



EO-AB/UT/LED/DUO/V/GFI/15 - Double socket





1263628

<https://www.phoenixcontact.com/us/products/1263628>

Approvals

To download certificates, visit the product detail page: <https://www.phoenixcontact.com/us/products/1263628>

|  cULus Recognized Approval ID: E255026 | | | | |
|---|-----------------------|-----------------------|-------------------|-----------------------------|
| | Nominal voltage U_N | Nominal current I_N | Cross section AWG | Cross section mm^2 |
| | 120 V | 15 A | 24 - 12 | - |

|  CSA Approval ID: 13631 | | | | |
|--|-----------------------|-----------------------|-------------------|-----------------------------|
| | Nominal voltage U_N | Nominal current I_N | Cross section AWG | Cross section mm^2 |
| | 120 V | 15 A | 24 - 12 | - |

EO-AB/UT/LED/DUO/V/GFI/15 - Double socket



1263628

<https://www.phoenixcontact.com/us/products/1263628>

Classifications

ECLASS

| | |
|-------------|----------|
| ECLASS-11.0 | 27142305 |
| ECLASS-12.0 | 27142305 |
| ECLASS-13.0 | 27142305 |

ETIM

| | |
|----------|----------|
| ETIM 9.0 | EC001663 |
|----------|----------|

UNSPSC

| | |
|-------------|----------|
| UNSPSC 21.0 | 39121406 |
|-------------|----------|

1263628

<https://www.phoenixcontact.com/us/products/1263628>

Environmental product compliance

EU RoHS

| | |
|---|--------------------|
| Fulfills EU RoHS substance requirements | Yes |
| Exemption | 6(a), 7(a), 7(c)-I |

China RoHS

| | |
|--|---|
| Environment friendly use period (EFUP) | EFUP-25 |
| | An article-related China RoHS declaration table can be found in the download area for the respective article under "Manufacturer declaration". For all articles with EFUP-E, no China RoHS declaration table issued and required. |

EU REACH SVHC

| | |
|-------------------------------------|--------------------------------------|
| REACH candidate substance (CAS No.) | Lead(CAS: 7439-92-1) |
| SCIP | edbe38d9-89c8-46dc-9510-21a957451da5 |

EO-AB/UT/LED/DUO/V/GFI/15 - Double socket



1263628

<https://www.phoenixcontact.com/us/products/1263628>

Accessories

UC-TMF 16 - Marker for terminal blocks

0819262

<https://www.phoenixcontact.com/us/products/0819262>



Marker for terminal blocks, Sheet, white, unlabeled, can be labeled with: BLUEMARK ID COLOR, BLUEMARK ID, BLUEMARK CLED, PLOTMARK, CMS-P1-PLOTTER, mounting type: latching, for terminal block width: 16 mm, lettering field size: 15.45 x 5.1 mm, Number of individual labels: 32

ZBF 16:UNPRINTED - Zack Marker strip, flat

0827464

<https://www.phoenixcontact.com/us/products/0827464>



Zack Marker strip, flat, Strip, white, unlabeled, can be labeled with: PLOTMARK, CMS-P1-PLOTTER, mounting type: latching, for terminal block width: 16 mm, lettering field size: 16.25 x 10.5 mm, Number of individual labels: 50

Phoenix Contact 2024 © - all rights reserved

<https://www.phoenixcontact.com>

Phoenix Contact USA

586 Fulling Mill Road

Middletown, PA 17057, United States

(+717) 944-1300

info@phoenixcon.com