

SAC-4P-MINMS/10,0-U20 - Power cable



1416812

<https://www.phoenixcontact.com/ca/products/1416812>

Please be informed that the data shown in this PDF document is generated from our online catalog. Please find the complete data in the user documentation. Our general terms of use for downloads are valid.



Power cable, 4-position, PVC, yellow, Plug straight 7/8"-16UNF, coding: A, on free cable end, cable length: 10 m

Your advantages

- Easy and safe: 100 % electrically tested plug-in components

Commercial data

Item number	1416812
Packing unit	1 pc
Minimum order quantity	1 pc
Note	Made to order (non-returnable)
Sales key	BF21
Product key	BF1IMB
GTIN	4055626223803
Weight per piece (including packing)	22.22 g
Weight per piece (excluding packing)	22.22 g
Customs tariff number	85444290
Country of origin	MX

SAC-4P-MINMS/10,0-U20 - Power cable



1416812

<https://www.phoenixcontact.com/ca/products/1416812>

Technical data

Notes

Trade restriction

CE note	The products are offered exclusively for export outside the EU and the European Economic Area.
---------	------------------------------------------------------------------------------------------------

Product properties

Product type	Sensor/actuator cable
Application	Standard
Number of positions	4
No. of cable outlets	1
Shielded	no
Coding	A

Material specifications

Flammability rating according to UL 94	V0
Material of grip body	PVC
Contact material	CuZn
Contact surface material	Au
Contact carrier material	PVC
Material for screw connection	Anodized aluminum

Electrical properties

Insulation resistance	$\geq 100 \text{ M}\Omega$
Nominal voltage U_N	600 V AC
	600 V DC
Nominal current I_N	10 A

Mechanical properties

Mechanical data

Insertion/withdrawal cycles	100
-----------------------------	-----

Signaling

Status display	no
Status display present	No

Connection data

Conductor connection

Tightening torque	10 lb _f -in.
	1.12 Nm

Connector

SAC-4P-MINMS/10,0-U20 - Power cable



1416812

<https://www.phoenixcontact.com/ca/products/1416812>

Connection 1

Type	Plug straight 7/8"-16UNF
Coding type	A

Connection 2

Type	free cable end
------	----------------

Cable/line

Cable length	10 m
--------------	------

Yellow, STOOW [U20]

Number of positions	4
Shielded	no
Cable type	Yellow, STOOW [U20]
Conductor cross section	4 x AWG 16
External cable diameter	10.70 mm
Outer sheath, material	PVC
External sheath, color	yellow
Conductor material	Bare Cu litz wires
Single wire, color	black 1, white 2, red 3, green 4
Nominal voltage, cable	600 V
Minimum bending radius, fixed installation	4 x D
Minimum bending radius, flexible installation	12.5 x D
Smallest bending radius, fixed installation	43 mm
Smallest bending radius, movable installation	134 mm
Flame resistance	UL 1581, FT2
Resistance to oil	Premium oil resistance (jacket and conductor)
Other resistance	UV resistant (720 h) (UL 2556)
Ambient temperature (operation)	-40 °C ... 105 °C (cable, fixed installation) -30 °C ... 105 °C (Cable, flexible installation)

Environmental and real-life conditions

Ambient conditions

Degree of protection	IP68
Ambient temperature (operation)	-20 °C ... 105 °C (Plug / socket) -40 °C ... 105 °C (cable, fixed installation) -30 °C ... 105 °C (Cable, flexible installation)

SAC-4P-MINMS/10,0-U20 - Power cable

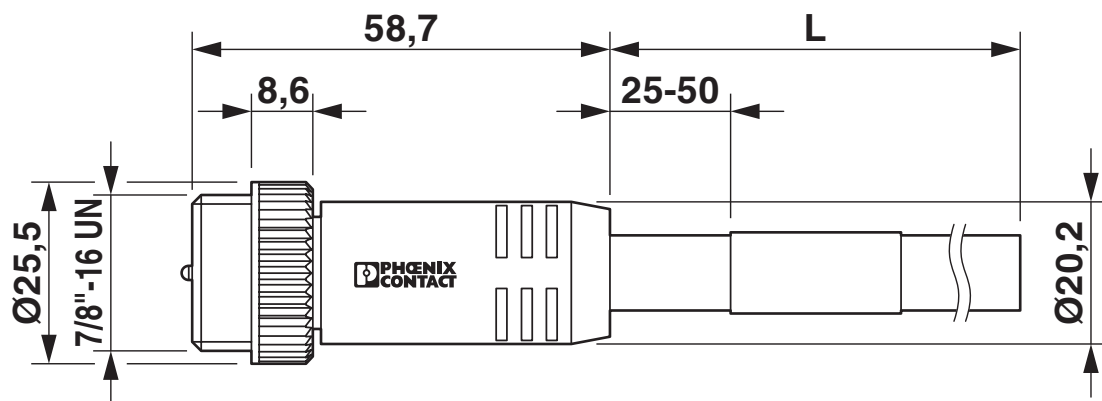


1416812

<https://www.phoenixcontact.com/ca/products/1416812>

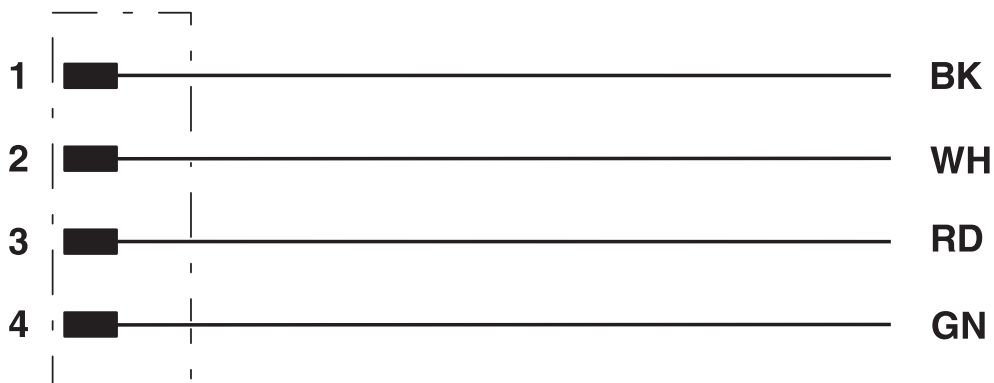
Drawings

Dimensional drawing



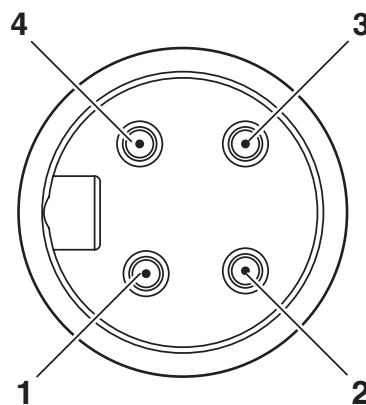
7/8"-16UNF plug, straight

Circuit diagram



Contact assignment of 7/8" plug

Schematic diagram



Pin assignment, plug, 7/8"-16UNF, 4-pos., view of male side

SAC-4P-MINMS/10,0-U20 - Power cable



1416812

<https://www.phoenixcontact.com/ca/products/1416812>

Approvals

To download certificates, visit the product detail page: <https://www.phoenixcontact.com/ca/products/1416812>



UL Listed

Approval ID: FILE E 221474



cUL Listed

Approval ID: FILE E 221474

cULus Listed

SAC-4P-MINMS/10,0-U20 - Power cable



1416812

<https://www.phoenixcontact.com/ca/products/1416812>

Classifications

ECLASS

ECLASS-11.0	27060311
ECLASS-12.0	27060311
ECLASS-13.0	27060311

ETIM

ETIM 9.0	EC001855
----------	----------

UNSPSC

UNSPSC 21.0	31251501
-------------	----------

SAC-4P-MINMS/10,0-U20 - Power cable



1416812

<https://www.phoenixcontact.com/ca/products/1416812>

Environmental product compliance

EU RoHS

Fulfills EU RoHS substance requirements	Yes, No exemptions
-----------------------------------------	--------------------

China RoHS

Environment friendly use period (EFUP)	EFUP-E
	No hazardous substances above the limits

EU REACH SVHC

REACH candidate substance (CAS No.)	No substance above 0.1 wt%
-------------------------------------	----------------------------

SAC-4P-MINMS/10,0-U20 - Power cable



1416812

<https://www.phoenixcontact.com/ca/products/1416812>

Accessories

PROT-MINFS-PA-CHAIN - Sealing cap

1430912

<https://www.phoenixcontact.com/ca/products/1430912>

7/8" sealing cap made of plastic with fixing band, for sensor cables, for 7/8" connectors



UCT-WMT (23X4) - Conductor marker

0801453

<https://www.phoenixcontact.com/ca/products/0801453>

Conductor marker, Sheet, white, unlabeled, can be labeled with: TOPMARK NEO, TOPMARK LASER, BLUEMARK ID COLOR, BLUEMARK ID, BLUEMARK CLED, THERMOMARK PRIME, THERMOMARK CARD 2.0, THERMOMARK CARD, mounting type: insert, cable diameter range: 1.5 ... 35 mm, Number of individual labels: 30, text field height: 4 mm, text field width: 23 mm



SAC-4P-MINMS/10,0-U20 - Power cable



1416812

<https://www.phoenixcontact.com/ca/products/1416812>

UC-WMT (23X4) - Conductor marker

0819411

<https://www.phoenixcontact.com/ca/products/0819411>



Conductor marker, Sheet, white, unlabeled, can be labeled with: BLUEMARK ID COLOR, BLUEMARK ID, BLUEMARK CLED, PLOTMARK, CMS-P1-PLOTTER, mounting type: insert, cable diameter range: 1.5 ... 35 mm, Number of individual labels: 24, text field height: 4 mm, text field width: 23 mm

US-WMT (23X4) - Cable marker

0828769

<https://www.phoenixcontact.com/ca/products/0828769>



Cable marker, Card, white, unlabeled, can be labeled with: BLUEMARK ID COLOR, BLUEMARK ID, THERMOMARK PRIME, THERMOMARK CARD 2.0, THERMOMARK CARD, mounting type: slide-on, cable diameter range: 1.5 ... 35 mm, Number of individual labels: 56, text field height: 4 mm, text field width: 23 mm

SAC-4P-MINMS/10,0-U20 - Power cable



1416812

<https://www.phoenixcontact.com/ca/products/1416812>

WMTW (23X4)R - Cable marker

0831004

<https://www.phoenixcontact.com/ca/products/0831004>



Cable marker, Roll, white, unlabeled, can be labeled with: THERMOMARK E.300 (D)/600 (D), THERMOMARK ROLL 2.0, THERMOMARK ROLL, THERMOMARK ROLL X1, THERMOMARK ROLLMASTER 300/600, THERMOMARK X1.2, mounting type: insert, cable diameter range: 1.5 ... 35 mm, Number of individual labels: 3000, text field height: 4 mm, text field width: 23 mm

PROT-MINMS-PA-CHAIN - Screw plug

1430925

<https://www.phoenixcontact.com/ca/products/1430925>



7/8" sealing cap made of plastic with fixing band, for sensor cables, for 7/8" sockets

SAC-4P-MINMS/10,0-U20 - Power cable

1416812

<https://www.phoenixcontact.com/ca/products/1416812>



B-STIFT - Marker pen

1051993

<https://www.phoenixcontact.com/ca/products/1051993>



Marker pen, for manual labeling of unprinted Zack strips, smear-proof and waterproof, line thickness 0.5 mm

TSD 08 SAC - Torque screwdriver

1212597

<https://www.phoenixcontact.com/ca/products/1212597>



Torque screw driver with preset torque of 0.8 Nm, with 4 mm hexagon for accommodating SAC bits, two-component handle with non-slip grip

SAC-4P-MINMS/10,0-U20 - Power cable

1416812

<https://www.phoenixcontact.com/ca/products/1416812>



TSD-M 1,2NM - Torque screwdriver

1212224

<https://www.phoenixcontact.com/ca/products/1212224>



Torque screw driver, accuracy as per EN ISO 6789 standard, adjustable from 0.3 - 1.2 Nm

TSD-M SAC-BIT ADAPTER - Adapter insert

1212600

<https://www.phoenixcontact.com/ca/products/1212600>



Adapter bit for TSD-M...torque tools, E6.3-1/4" drive with 4 mm hexagon to accommodate SAC bits

SAC-4P-MINMS/10,0-U20 - Power cable

1416812

<https://www.phoenixcontact.com/ca/products/1416812>



SAC BIT MIN-D25 - Tool

1212512

<https://www.phoenixcontact.com/ca/products/1212512>

Nut for assembling 7/8" connectors with a knurl diameter of 25 mm, with 4 mm hexagonal drive



Phoenix Contact 2024 © - all rights reserved

<https://www.phoenixcontact.com>

PHOENIX CONTACT Ltd
8240 Parkhill Drive
Milton, Ontario L9T 5V7
1-800-890-2820
cdinfo@phoenixcontact.ca