

DEK-REL- 24/I/1 - Relay module



2940171

<https://www.phoenixcontact.com/us/products/2940171>

Please be informed that the data shown in this PDF document is generated from our online catalog. Please find the complete data in the user documentation. Our general terms of use for downloads are valid.



Relay terminal block, with soldered-in miniature relays, contact (AgNi+Au): small to medium loads, 1 N/O contact, input voltage 24 V AC/DC, for assembly on NS 35/7.5, terminal width 6.2 mm

Your advantages

- Reduced costs as N terminal block is no longer required
- Up to 73 % more space
- Wiring reduced to a minimum
- 2-layer contact with hard gold plating for universal applications from 1 mA to 5 A continuous current
- 2 kV_{rms} electrical isolation between input and output
- Integrated input circuit

Commercial data

| | |
|--------------------------------------|---------------------|
| Item number | 2940171 |
| Packing unit | 10 pc |
| Minimum order quantity | 1 pc |
| Sales key | C460 |
| Product key | CK61A2 |
| Catalog page | Page 440 (C-5-2019) |
| GTIN | 4017918079895 |
| Weight per piece (including packing) | 23.31 g |
| Weight per piece (excluding packing) | 19 g |
| Customs tariff number | 85364190 |
| Country of origin | CN |

DEK-REL- 24/I/1 - Relay module



2940171

<https://www.phoenixcontact.com/us/products/2940171>

Technical data

Notes

| | |
|---------------------|---|
| Note on application | Use of EB 80-DIK... bridges in the DEK terminal blocks: Absorption of humidity from the ambient air as well as an unfavorable tolerance between a larger number of DEK terminal blocks and the EB 80-DIK... bridge may cause (minor) expansion of the DEK housing. When the EB 80-DIK... bridges are used, therefore, it is recommended that these be disconnected after about 10 to 12 DEK terminal blocks and a wire bridge to the next DEK terminal block be inserted in their place. |
|---------------------|---|

Product properties

| | |
|-------------------------|--------------------------------|
| Product type | Relay Module |
| Product family | DEK |
| Application | Output function |
| Operating mode | 100% operating factor |
| Mechanical service life | approx. 2×10^7 cycles |

Insulation characteristics

| | |
|----------------------|------------------|
| Insulation | Basic insulation |
| Overvoltage category | III |
| Pollution degree | 2 |

Data management status

| | |
|------------------------------|------------|
| Date of last data management | 22.05.2024 |
|------------------------------|------------|

Electrical properties

| | |
|---|--|
| Maximum power dissipation for nominal condition | 0.16 W |
| Test voltage (Winding/contact) | 2 kV AC (50 Hz, 1 min., winding/contact) |

Input data

Coil side

| | |
|--------------------------------|---------------------------------------|
| Nominal input voltage U_N | 24 V AC/DC |
| Input voltage range | 19.2 V AC/DC ... 26.4 V AC/DC (20 °C) |
| Drive and function | monostable |
| Drive (polarity) | polarized |
| Typical input current at U_N | 6.5 mA |
| Typical response time | 5 ms |
| Typical release time | 15 ms |
| Protective circuit | Bridge rectifier; Bridge rectifier |
| Operating voltage display | Yellow LED |

Output data

Switching

| | |
|------------------------|---------------|
| Contact switching type | 1 N/O contact |
|------------------------|---------------|

DEK-REL- 24/I/1 - Relay module



2940171

<https://www.phoenixcontact.com/us/products/2940171>

| | |
|---------------------------------------|---------------------------------|
| Type of switch contact | Double contact |
| Contact material | AgNi, hard gold-plated |
| Maximum switching voltage | 250 V AC |
| | 125 V DC |
| Minimum switching voltage | 0.1 V |
| Limiting continuous current | 3 A (5 A up to 35°C at 24 V DC) |
| Maximum inrush current | 5 A |
| Min. switching current | 1 mA |
| Interrupting rating (ohmic load) max. | 72 W (at 24 V DC) |
| | 60 W (at 48 V DC) |
| | 50 W (at 60 V DC) |
| | 50 W (at 110 V DC) |
| | 750 VA (for 250 V AC) |
| | 120 W (at 24 V DC - up to 35°) |

Connection data

| | |
|----------------------------------|---|
| Connection method | Screw connection |
| Stripping length | 8 mm |
| Screw thread | M3 |
| Conductor cross section rigid | 0.2 mm ² ... 2.5 mm ² |
| Conductor cross section flexible | 0.2 mm ² ... 2.5 mm ² |
| Conductor cross section AWG | 24 ... 14 |
| Tightening torque | 0.5 Nm |

Dimensions

| | |
|--------|--------|
| Width | 6.2 mm |
| Height | 80 mm |
| Depth | 56 mm |

Material specifications

| | |
|-------|------------------|
| Color | green (RAL 6021) |
|-------|------------------|

Environmental and real-life conditions

Ambient conditions

| | |
|---|------------------|
| Ambient temperature (operation) | -20 °C ... 50 °C |
| Ambient temperature (storage/transport) | -20 °C ... 70 °C |

Standards and regulations

| | |
|-----------------------|---------------|
| Standards/regulations | IEC 60947-5-1 |
|-----------------------|---------------|

Mounting

| | |
|-------------------|---------------------------|
| Mounting type | DIN rail mounting |
| Assembly note | in rows with zero spacing |
| Mounting position | any |

DEK-REL- 24/I/1 - Relay module

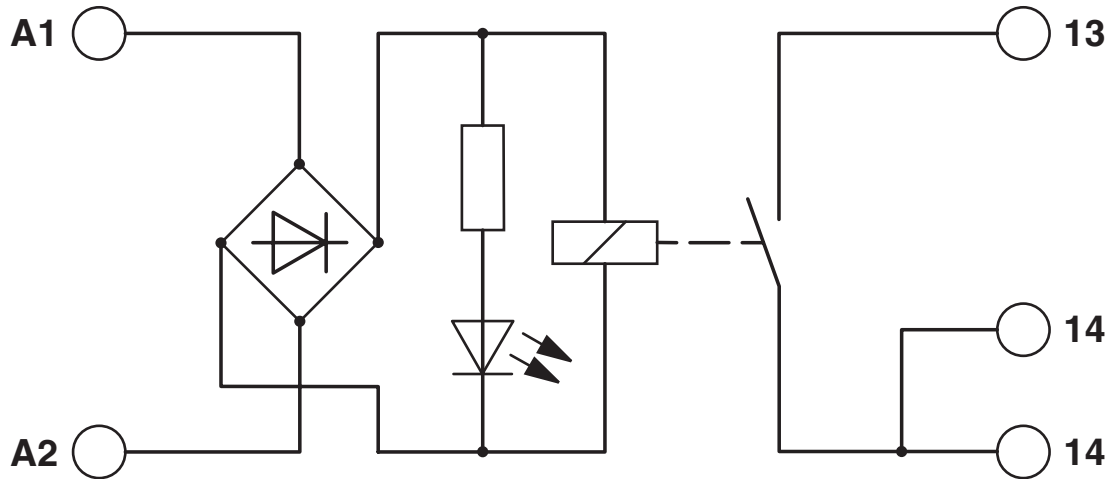


2940171

<https://www.phoenixcontact.com/us/products/2940171>

Drawings

Circuit diagram



DEK-REL- 24/I/1 - Relay module



2940171

<https://www.phoenixcontact.com/us/products/2940171>

Approvals

To download certificates, visit the product detail page: <https://www.phoenixcontact.com/us/products/2940171>



cUL Recognized
Approval ID: E238705



UL Recognized
Approval ID: E238705



EAC
Approval ID: RU*C-DE.*08.B.00010

cULus Recognized

DEK-REL- 24/I/1 - Relay module



2940171

<https://www.phoenixcontact.com/us/products/2940171>

Classifications

ECLASS

| | |
|-------------|----------|
| ECLASS-11.0 | 27371601 |
| ECLASS-12.0 | 27371601 |
| ECLASS-13.0 | 27371601 |

ETIM

| | |
|----------|----------|
| ETIM 9.0 | EC001437 |
|----------|----------|

UNSPSC

| | |
|-------------|----------|
| UNSPSC 21.0 | 39122300 |
|-------------|----------|

DEK-REL- 24/I/1 - Relay module



2940171

<https://www.phoenixcontact.com/us/products/2940171>

Environmental product compliance

EU RoHS

| | |
|---|--------------|
| Fulfills EU RoHS substance requirements | Yes |
| Exemption | 7(a), 7(c)-I |

China RoHS

| | |
|--|---|
| Environment friendly use period (EFUP) | EFUP-50 |
| | An article-related China RoHS declaration table can be found in the download area for the respective article under "Manufacturer declaration". For all articles with EFUP-E, no China RoHS declaration table issued and required. |

EU REACH SVHC


| | |
|-------------------------------------|--------------------------------------|
| REACH candidate substance (CAS No.) | Lead(CAS: 7439-92-1) |
| SCIP | 9b235608-6f54-4508-85fb-8f2708416cbb |

DEK-REL- 24/I/1 - Relay module

2940171

<https://www.phoenixcontact.com/us/products/2940171>

Accessories

 Note: Applying some accessories below might limit this product.


EB 80- DIK RD - Insertion bridge

2715953

<https://www.phoenixcontact.com/us/products/2715953>



Insertion bridge, pitch: 6.2 mm, number of positions: 80, color: red

 Max. current carrying capacity: 26 A

EB 80- DIK BU - Insertion bridge

2715940

<https://www.phoenixcontact.com/us/products/2715940>



Insertion bridge, pitch: 6.2 mm, number of positions: 80, color: blue

 Max. current carrying capacity: 26 A

DEK-REL- 24/I/1 - Relay module

2940171

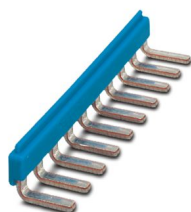
<https://www.phoenixcontact.com/us/products/2940171>



EB 10- DIK BU - Insertion bridge

2716680

<https://www.phoenixcontact.com/us/products/2716680>



Insertion bridge, pitch: 6.15 mm, number of positions: 10, color: blue

 Max. current carrying capacity: 26 A

EB 5- DIK BU - Insertion bridge

2716677

<https://www.phoenixcontact.com/us/products/2716677>



Insertion bridge, pitch: 6.15 mm, number of positions: 5, color: blue

 Max. current carrying capacity: 26 A

DEK-REL- 24/I/1 - Relay module

2940171

<https://www.phoenixcontact.com/us/products/2940171>




EB 10- DIK RD - Insertion bridge

2716774

<https://www.phoenixcontact.com/us/products/2716774>



Insertion bridge, pitch: 6.15 mm, number of positions: 10, color: red

 Max. current carrying capacity: 26 A

EB 5- DIK RD - Insertion bridge

2716761

<https://www.phoenixcontact.com/us/products/2716761>



Insertion bridge, pitch: 6.15 mm, number of positions: 5, color: red

 Max. current carrying capacity: 26 A

DEK-REL- 24/I/1 - Relay module

2940171

<https://www.phoenixcontact.com/us/products/2940171>


EB 4- DIK RD - Insertion bridge

2716758

<https://www.phoenixcontact.com/us/products/2716758>



Insertion bridge, pitch: 6.15 mm, number of positions: 4, color: red

 Max. current carrying capacity: 26 A

EB 3- DIK RD - Insertion bridge

2716745

<https://www.phoenixcontact.com/us/products/2716745>



Insertion bridge, pitch: 6.15 mm, number of positions: 3, color: red

 Max. current carrying capacity: 26 A

DEK-REL- 24/I/1 - Relay module

2940171

<https://www.phoenixcontact.com/us/products/2940171>



D-DEK 1,5 GN - Separating plate

2716949

<https://www.phoenixcontact.com/us/products/2716949>

Cover for setting the end of a terminal row, color: green



ZB 6:UNBEDRUCKT - Zack marker strip

1051003

<https://www.phoenixcontact.com/us/products/1051003>



Zack marker strip, Strip, white, unlabeled, can be labeled with: PLOTMARK, CMS-P1-PLOTTER, mounting type: latching, for terminal block width: 6.2 mm, Number of individual labels: 10, text field height: 10.5 mm, text field width: 6.15 mm

DEK-REL- 24/I/1 - Relay module

2940171

<https://www.phoenixcontact.com/us/products/2940171>

ZB 6,LGS:FORTL.ZAHLEN - Zack marker strip

1051016

<https://www.phoenixcontact.com/us/products/1051016>



Zack marker strip, Strip, white, labeled, can be labeled with: CMS-P1-PLOTTER, printed horizontally: consecutive numbers 1 ... 10, 11 ... 20, etc. up to 491 ... 500, mounting type: latching, for terminal block width: 6.2 mm, Number of individual labels: 10, text field height: 10.5 mm, text field width: 6.15 mm

ZB 6/WH-100:UNBEDRUCKT - Zack marker strip

5060935

<https://www.phoenixcontact.com/us/products/5060935>



Zack marker strip, Strip, white, unlabeled, can be labeled with: PLOTMARK, CMS-P1-PLOTTER, mounting type: latching, for terminal block width: 6.2 mm, Number of individual labels: 1000, text field height: 10.5 mm, text field width: 6.15 mm

DEK-REL- 24/I/1 - Relay module

2940171

<https://www.phoenixcontact.com/us/products/2940171>



DIKD 1,5 - Initiator/actuator terminal block

2715979

<https://www.phoenixcontact.com/us/products/2715979>



Initiator/actuator terminal block, nom. voltage: 250 V, nominal current: 24 A, connection method: Screw connection, 1st, 2nd and 3rd level, Rated cross section: 2.5 mm², cross section: 0.2 mm² - 4 mm², mounting type: NS 35/7,5, NS 35/15, color: gray

Phoenix Contact 2024 © - all rights reserved

<https://www.phoenixcontact.com>

Phoenix Contact USA
586 Fulling Mill Road
Middletown, PA 17057, United States
(+717) 944-1300
info@phoenixcon.com