

Think Automation and beyond...



LW Silhouette Series

Illuminated Key Selector Switches
Pushbuttons and Illuminated Pushbuttons with
Round Guard



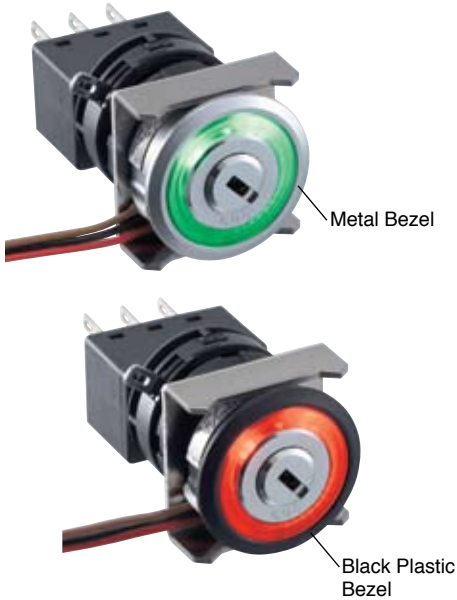
LW Silhouette Switches



LW Silhouette Series Illuminated Key Selector Switches

The two-way split illumination on the ring shows the key position or equipment status, making it possible to reduce the number of control units required.

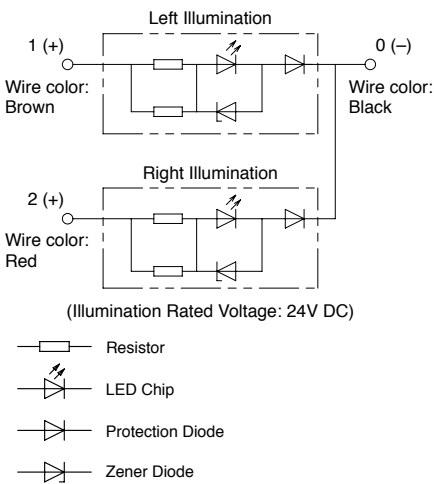
Metal or black plastic bezel available.



Illumination Color & Combination

Color		Left Illuminated	Right and Left Illuminated	Right Illuminated
Left	Right			
Red (R)	Red (R)			
Green (G)	Green (G)			
White (W)	White (W)			
Red (R)	Green (G)			
Green (G)	Red (R)			
Blue (S)	Blue (S)			

Internal Circuit



Note: RG and GR combinations are available in 3-position models only.




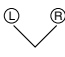
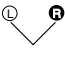

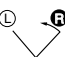
New guard for round pushbuttons and illuminated pushbuttons



Flush Silhouette is an IDEC trademark for control units with flush bezels.

LW Silhouette Illuminated Key Selector Switches

Ring-illuminated Key Selector Switches with Round Metal Bezel (2- and 3-position)


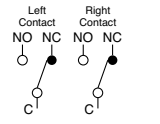
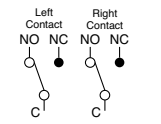
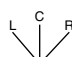
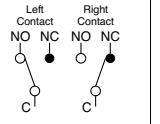
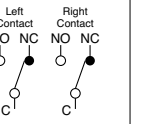
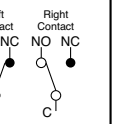
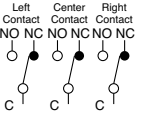
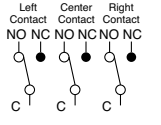
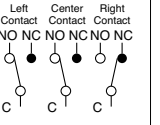
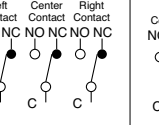
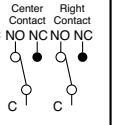
Shape	Operation Type	Key Retained at ●	Contact Material	Contact	Ordering Part No.			② Ring Illumination Color Code
					Solder/Tab Terminal	PC Board Terminal	Screw Terminal	
  	90° 2-position Maintained	A 	Gold	SPDT	LW6MJ-2C14②A	LW6MJ-2C14V②A	—	GG: green/green WW: white/white RR: red/red SS: blue/blue
				DPDT	LW6MJ-2C24②A	LW6MJ-2C24V②A	LW6MJ-2C24M②A	
				3PDT	LW6MJ-2C34②A	LW6MJ-2C34V②A	—	
			Silver	SPDT	LW6MJ-2C54②A	—	—	
				DPDT	LW6MJ-2C64②A	—	LW6MJ-2C64M②A	
				3PDT	LW6MJ-2C74②A	—	—	
		B 	Gold	SPDT	LW6MJ-2C14②B	LW6MJ-2C14V②B	—	
				DPDT	LW6MJ-2C24②B	LW6MJ-2C24V②B	LW6MJ-2C24M②B	
				3PDT	LW6MJ-2C34②B	LW6MJ-2C34V②B	—	
			Silver	SPDT	LW6MJ-2C54②B	—	—	
				DPDT	LW6MJ-2C64②B	—	LW6MJ-2C64M②B	
				3PDT	LW6MJ-2C74②B	—	—	
	C 	Gold	SPDT	LW6MJ-2C14②C	LW6MJ-2C14V②C	—		
			DPDT	LW6MJ-2C24②C	LW6MJ-2C24V②C	LW6MJ-2C24M②C		
			3PDT	LW6MJ-2C34②C	LW6MJ-2C34V②C	—		
		Silver	SPDT	LW6MJ-2C54②C	—	—		
			DPDT	LW6MJ-2C64②C	—	LW6MJ-2C64M②C		
			3PDT	LW6MJ-2C74②C	—	—		
	90° 2-position Spring Return from Right	B 	Gold	SPDT	LW6MJ-21C14②B	LW6MJ-21C14V②B	—	
				DPDT	LW6MJ-21C24②B	LW6MJ-21C24V②B	LW6MJ-21C24M②B	
				3PDT	LW6MJ-21C34②B	LW6MJ-21C34V②B	—	
			Silver	SPDT	LW6MJ-21C54②B	—	—	
				DPDT	LW6MJ-21C64②B	—	LW6MJ-21C64M②B	
				3PDT	LW6MJ-21C74②B	—	—	

- Specify a color code in place of ② in the Part No. SS (blue/blue) is also available.
- For the illumination specifications, see page 9.
- Two keys are supplied.
- Key cylinder face material: Metal
- To select key numbers, specify numbers 501 to 515 after the Part No. When a key number is not specified, key number 500 is supplied as standard.
Example: LW6MJ-2C14RRA-501



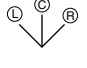
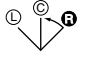
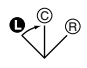
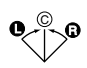
501 to 515

Other than the above 16 keys, 44 additional keys are also available.

Contact Operation

Operation Type	Contact	Operator Position and Contact Position		Operation Type	Contact	Operator Position and Contact Position		
		↙ Left	↘ Right			↙ Left	↑ Center	↘ Right
 90° 2-position	SPDT DPDT			 45° 3-position	DPDT			
	3PDT				3PDT			

LW Silhouette Illuminated Key Selector Switches

Shape	Operation Type	Key Retained at ●	Contact Material	Contact	Ordering Part No.			② Ring Illumination Color Code
					Solder/Tab Terminal	PC Board Terminal	Screw Terminal	
 	45° 3-position Maintained	 A	Gold	DPDT	LW6MJ-3C24②A	LW6MJ-3C24V②A	LW6MJ-3C24M②A	
				3PDT	LW6MJ-3C34②A	LW6MJ-3C34V②A	—	
			Silver	DPDT	LW6MJ-3C64②A	—	LW6MJ-3C64M②A	
				3PDT	LW6MJ-3C74②A	—	—	
			Gold	DPDT	LW6MJ-3C24②B	LW6MJ-3C24V②B	LW6MJ-3C24M②B	
				3PDT	LW6MJ-3C34②B	LW6MJ-3C34V②B	—	
		Silver	DPDT	LW6MJ-3C64②B	—	LW6MJ-3C64M②B		
			3PDT	LW6MJ-3C74②B	—	—		
		Gold	DPDT	LW6MJ-3C24②C	LW6MJ-3C24V②C	LW6MJ-3C24M②C		
			3PDT	LW6MJ-3C34②C	LW6MJ-3C34V②C	—		
		Silver	DPDT	LW6MJ-3C64②C	—	LW6MJ-3C64M②C		
			3PDT	LW6MJ-3C74②C	—	—		
		Gold	DPDT	LW6MJ-3C24②D	LW6MJ-3C24V②D	LW6MJ-3C24M②D		
			3PDT	LW6MJ-3C34②D	LW6MJ-3C34V②D	—		
		Silver	DPDT	LW6MJ-3C64②D	—	LW6MJ-3C64M②D		
			3PDT	LW6MJ-3C74②D	—	—		
		Gold	DPDT	LW6MJ-3C24②E	LW6MJ-3C24V②E	LW6MJ-3C24M②E		
			3PDT	LW6MJ-3C34②E	LW6MJ-3C34V②E	—		
		Silver	DPDT	LW6MJ-3C64②E	—	LW6MJ-3C64M②E		
			3PDT	LW6MJ-3C74②E	—	—		
		Gold	DPDT	LW6MJ-3C24②G	LW6MJ-3C24V②G	LW6MJ-3C24M②G		
			3PDT	LW6MJ-3C34②G	LW6MJ-3C34V②G	—		
		Silver	DPDT	LW6MJ-3C64②G	—	LW6MJ-3C64M②G		
			3PDT	LW6MJ-3C74②G	—	—		
	Gold	DPDT	LW6MJ-3C24②H	LW6MJ-3C24V②H	LW6MJ-3C24M②H			
		3PDT	LW6MJ-3C34②H	LW6MJ-3C34V②H	—			
	Silver	DPDT	LW6MJ-3C64②H	—	LW6MJ-3C64M②H			
		3PDT	LW6MJ-3C74②H	—	—			
	45° 3-position Spring Return from Right	 B	Gold	DPDT	LW6MJ-31C24②B	LW6MJ-31C24V②B	LW6MJ-31C24M②B	
				3PDT	LW6MJ-31C34②B	LW6MJ-31C34V②B	—	
			Silver	DPDT	LW6MJ-31C64②B	—	LW6MJ-31C64M②B	
				3PDT	LW6MJ-31C74②B	—	—	
			Gold	DPDT	LW6MJ-31C24②D	LW6MJ-31C24V②D	LW6MJ-31C24M②D	
				3PDT	LW6MJ-31C34②D	LW6MJ-31C34V②D	—	
		Silver	DPDT	LW6MJ-31C64②D	—	LW6MJ-31C64M②D		
			3PDT	LW6MJ-31C74②D	—	—		
		Gold	DPDT	LW6MJ-31C24②G	LW6MJ-31C24V②G	LW6MJ-31C24M②G		
			3PDT	LW6MJ-31C34②G	LW6MJ-31C34V②G	—		
		Silver	DPDT	LW6MJ-31C64②G	—	LW6MJ-31C64M②G		
			3PDT	LW6MJ-31C74②G	—	—		
	45° 3-position Spring Return from Left	 C	Gold	DPDT	LW6MJ-32C24②C	LW6MJ-32C24V②C	LW6MJ-32C24M②C	
				3PDT	LW6MJ-32C34②C	LW6MJ-32C34V②C	—	
			Silver	DPDT	LW6MJ-32C64②C	—	LW6MJ-32C64M②C	
				3PDT	LW6MJ-32C74②C	—	—	
			Gold	DPDT	LW6MJ-32C24*D	LW6MJ-32C24V②D	LW6MJ-32C24M②D	
				3PDT	LW6MJ-32C34*D	LW6MJ-32C34V②D	—	
		Silver	DPDT	LW6MJ-32C64*D	—	LW6MJ-32C64M②D		
			3PDT	LW6MJ-32C74*D	—	—		
Gold		DPDT	LW6MJ-32C24②H	LW6MJ-32C24V*H	LW6MJ-32C24M②H			
		3PDT	LW6MJ-32C34②H	LW6MJ-32C34V*H	—			
Silver		DPDT	LW6MJ-32C64②H	—	LW6MJ-32C64M②H			
		3PDT	LW6MJ-32C74②H	—	—			
45° 3-position Spring Return Two-way	 D	Gold	DPDT	LW6MJ-33C24②D	LW6MJ-33C24V②D	LW6MJ-33C24M②D		
			3PDT	LW6MJ-33C34②D	LW6MJ-33C34V②D	—		
		Silver	DPDT	LW6MJ-33C64②D	—	LW6MJ-33C64M②D		
			3PDT	LW6MJ-33C74②D	—	—		

GG: green/green
GR: green/red
WW: white/white
RG: red/green
RR: red/red
SS: blue/blue

- Specify a color code in place of ② in the Part No. SS (blue/blue) is also available.
- For the illumination specifications, see page 9.
- Two keys are supplied.
- Key cylinder face material: Metal
- To select key numbers, specify numbers 501 to 515 after the Part No. When a key number is not specified, key number 500 is supplied as standard.
Example: LW6MJ-3C24RRA-501



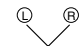


501 to 515

Other than the above 16 keys, 44 additional keys are also available.

- See page 3 for contact operation.

LW Silhouette Illuminated Key Selector Switches

Ring-illuminated Key Selector Switches with Round Plastic Bezel (2- and 3-position)

Shape	Operation Type	Key Retained at ●	Contact Material	Contact	Ordering Part No.			② Ring Illumination Color Code
					Solder/Tab Terminal	PC Board Terminal	Screw Terminal	
 Round Black Plastic Bezel LW6J 	90° 2-position Maintained	A 	Gold	SPDT	LW6J-2C14②A	LW6J-2C14V②A	—	GG: green/green WW: white/white RR: red/red SS: blue/blue
				DPDT	LW6J-2C24②A	LW6J-2C24V②A	LW6J-2C24M②A	
				3PDT	LW6J-2C34②A	LW6J-2C34V②A	—	
			Silver	SPDT	LW6J-2C54②A	—	—	
				DPDT	LW6J-2C64②A	—	LW6J-2C64M②A	
				3PDT	LW6J-2C74②A	—	—	
		B 	Gold	SPDT	LW6J-2C14②B	LW6J-2C14V②B	—	
				DPDT	LW6J-2C24②B	LW6J-2C24V②B	LW6J-2C24M②B	
				3PDT	LW6J-2C34②B	LW6J-2C34V②B	—	
			Silver	SPDT	LW6J-2C54②B	—	—	
				DPDT	LW6J-2C64②B	—	LW6J-2C64M②B	
				3PDT	LW6J-2C74②B	—	—	
	90° 2-position Spring Return from Right	B 	Gold	SPDT	LW6J-21C14②B	LW6J-21C14V②B	—	
				DPDT	LW6J-21C24②B	LW6J-21C24V②B	LW6J-21C24M②B	
				3PDT	LW6J-21C34②B	LW6J-21C34V②B	—	
			Silver	SPDT	LW6J-21C54②B	—	—	
				DPDT	LW6J-21C64②B	—	LW6J-21C64M②B	
				3PDT	LW6J-21C74②B	—	—	


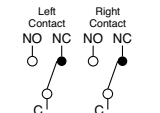
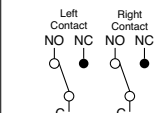
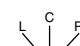
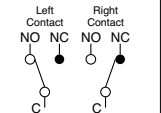
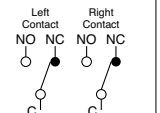
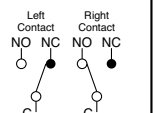
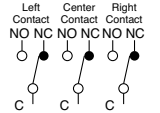
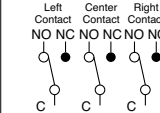
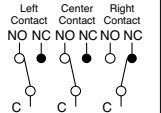
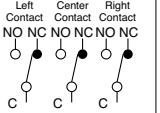
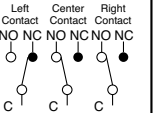
- Specify a color code in place of ② in the Part No. SS (blue/blue) is also available.
- For the illumination specifications, see page 9.
- Two keys are supplied.
- Key cylinder face material: Metal
- To select key numbers, specify numbers 501 to 515 after the Part No. When a key number is not specified, key number 500 is supplied as standard.

Example: LW6J-2C14RRA-501



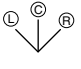
501 to 515

Other than the above 16 keys, 44 additional keys are also available.

Contact Operation

Operation Type	Contact	Operator Position and Contact Position		Operation Type	Contact	Operator Position and Contact Position		
		↙ Left	↘ Right			↙ Left	↑ Center	↘ Right
 90° 2-position	SPDT DPDT			 45° 3-position	DPDT			
	3PDT				3PDT			

LW Silhouette Illuminated Key Selector Switches

Shape	Operation Type	Key Retained at ●	Contact Material	Contact	Ordering Part No.			② Ring Illumination Color Code	
					Solder/Tab Terminal	PC Board Terminal	Screw Terminal		
Round Black Plastic Bezel LW6J  	45° 3-position Maintained	A 	Gold	DPDT	LW6J-3C24②A	LW6J-3C24V②A	LW6J-3C24M②A	GG: green/green GR: green/red WW: white/white RG: red/green RR: red/red SS: blue/blue	
				3PDT	LW6J-3C34②A	LW6J-3C34V②A	—		
			Silver	DPDT	LW6J-3C64②A	—	LW6J-3C64M②A		
				3PDT	LW6J-3C74②A	—	—		
			B	Gold	DPDT	LW6J-3C24②B	LW6J-3C24V②B		LW6J-3C24M②B
					3PDT	LW6J-3C34②B	LW6J-3C34V②B		—
		Silver	DPDT	LW6J-3C64②B	—	LW6J-3C64M②B			
			3PDT	LW6J-3C74②B	—	—			
		C	Gold	DPDT	LW6J-3C24②C	LW6J-3C24V②C	LW6J-3C24M②C		
				3PDT	LW6J-3C34②C	LW6J-3C34V②C	—		
		Silver	DPDT	LW6J-3C64②C	—	LW6J-3C64M②C			
			3PDT	LW6J-3C74②C	—	—			
		D	Gold	DPDT	LW6J-3C24②D	LW6J-3C24V②D	LW6J-3C24M②D		
				3PDT	LW6J-3C34②D	LW6J-3C34V②D	—		
		Silver	DPDT	LW6J-3C64②D	—	LW6J-3C64M②D			
			3PDT	LW6J-3C74②D	—	—			
		E	Gold	DPDT	LW6J-3C24②E	LW6J-3C24V②E	LW6J-3C24M②E		
				3PDT	LW6J-3C34②E	LW6J-3C34V②E	—		
		Silver	DPDT	LW6J-3C64②E	—	LW6J-3C64M②E			
			3PDT	LW6J-3C74②E	—	—			
		G	Gold	DPDT	LW6J-3C24②G	LW6J-3C24V②G	LW6J-3C24M②G		
				3PDT	LW6J-3C34②G	LW6J-3C34V②G	—		
		Silver	DPDT	LW6J-3C64②G	—	LW6J-3C64M②G			
			3PDT	LW6J-3C74②G	—	—			
	H	Gold	DPDT	LW6J-3C24②H	LW6J-3C24V②H	LW6J-3C24M②H			
			3PDT	LW6J-3C34②H	LW6J-3C34V②H	—			
	Silver	DPDT	LW6J-3C64②H	—	LW6J-3C64M②H				
		3PDT	LW6J-3C74②H	—	—				
	45° 3-position Spring Return from Right	B	Gold	DPDT	LW6J-31C24②B	LW6J-31C24V②B	LW6J-31C24M②B		
				3PDT	LW6J-31C34②B	LW6J-31C34V②B	—		
			Silver	DPDT	LW6J-31C64②B	—	LW6J-31C64M②B		
				3PDT	LW6J-31C74②B	—	—		
D			Gold	DPDT	LW6J-31C24②D	LW6J-31C24V②D	LW6J-31C24M②D		
				3PDT	LW6J-31C34②D	LW6J-31C34V②D	—		
Silver		DPDT	LW6J-31C64②D	—	LW6J-31C64M②D				
		3PDT	LW6J-31C74②D	—	—				
G		Gold	DPDT	LW6J-31C24②G	LW6J-31C24V②G	LW6J-31C24M②G			
			3PDT	LW6J-31C34②G	LW6J-31C34V②G	—			
Silver		DPDT	LW6J-31C64②G	—	LW6J-31C64M②G				
		3PDT	LW6J-31C74②G	—	—				
45° 3-position Spring Return from Left	C	Gold	DPDT	LW6J-32C24②C	LW6J-32C24V②C	LW6J-32C24M②C			
			3PDT	LW6J-32C34②C	LW6J-32C34V②C	—			
		Silver	DPDT	LW6J-32C64②C	—	LW6J-32C64M②C			
			3PDT	LW6J-32C74②C	—	—			
		D	Gold	DPDT	LW6J-32C24②D	LW6J-32C24V②D	LW6J-32C24M②D		
				3PDT	LW6J-32C34②D	LW6J-32C34V②D	—		
	Silver	DPDT	LW6J-32C64②D	—	LW6J-32C64M②D				
		3PDT	LW6J-32C74②D	—	—				
	H	Gold	DPDT	LW6J-32C24②H	LW6J-32C24V②H	LW6J-32C24M②H			
			3PDT	LW6J-32C34②H	LW6J-32C34V②H	—			
	Silver	DPDT	LW6J-32C64②H	—	LW6J-32C64M②H				
		3PDT	LW6J-32C74②H	—	—				
45° 3-position Spring Return Two-way	D	Gold	DPDT	LW6J-33C24②D	LW6J-33C24V②D	LW6J-33C24M②D			
			3PDT	LW6J-33C34②D	LW6J-33C34V②D	—			
		Silver	DPDT	LW6J-33C64②D	—	LW6J-33C64M②D			
			3PDT	LW6J-33C74②D	—	—			

- Specify a color code in place of ② in the Part No. SS (blue/blue) is also available.
- For the illumination specifications, see page 9.
- Two keys are supplied.
- Key cylinder face material: Metal
- To select key numbers, specify numbers 501 to 515 after the Part No. When a key number is not specified, key number 500 is supplied as standard.
Example: LW6J-3C24RRA-501

501 to 515

Other than the above 16 keys, 44 additional keys are also available.

- See page 5 for contact operation.

LW Silhouette Illuminated Key Selector Switches

Contact Ratings

• Gold Contacts (switch base: blue)

Maximum Voltage	250V	
Thermal Current	3A	
Operating Voltage	30V DC	125V AC
Operating Current (resistive load)	0.1A	0.1A
Contact Material	Gold-clad silver	

Minimum applicable load (reference value) = 5V AC/DC, 1 mA
(Applicable range is subject to the operating condition and load.)

• Silver Contacts (switch base: gray)

Operating Voltage		30V	125V	250V	
Operating Current	AC 50/60Hz	Resistive Load	—	3A	2A
		Inductive Load	—	2A	1.5A
	DC	Resistive Load	2A	0.4A	—
		Inductive Load	1A	0.2A	—
Thermal Current		5A			
Contact Material		Silver			

AC inductive load: PF = 0.6 to 0.7
DC inductive load: L/R = 7 ms max.

Illumination Ratings

Rated Voltage	Operating Voltage	Current	
		Full Illumination	Two-way Split Illumination
24V DC	24V DC $\pm 10\%$	18 mA	9 mA

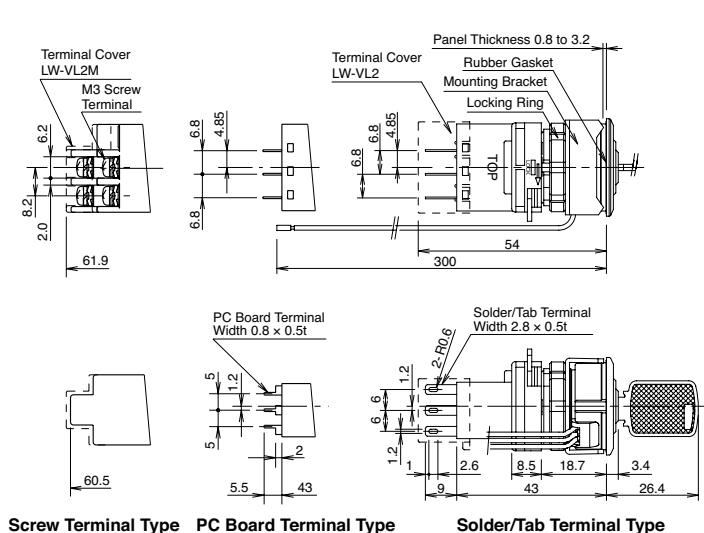
The illumination part is UL-recognized and CSA-certified subject to use within in Class 2 circuit.

Specifications

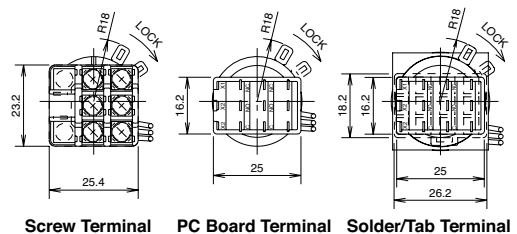
Operating Temperature	-25 to +50°C (no freezing)
Storage Temperature	-40 to +80°C
Operating Humidity	45 to 85% RH (no condensation)
Contact Resistance	50 mΩ maximum (initial value)
Insulation Resistance	100 MΩ minimum (500V DC megger)
Dielectric Strength (switch)	Between live part and ground: 2500V AC, 1 minute Between terminals of different poles: 2500VAC, 1 minute Between terminals of the same pole: AC1000V, 1 minute
Overvoltage Category	II
Impulse Withstand Voltage	0.5kV
Pollution Degree	2
Shock Resistance	Operating extremes: 100 m/s ² Damage limits: 1000 m/s ²
Vibration Resistance	Operating extremes: 5 to 55 Hz, amplitude 0.5 mm
Mechanical Life	100,000 operations
Electrical Life	100,000 operations (switching frequency 900 operations/h)
Degree of Protection	IP65 (IEC 60529)
Terminal Style	Solder/tab terminal #110 PC board terminal Screw terminal
Weight (approx.)	60g (LW6MJ-2C34@A) 58g (LW6J-2C34@A)

For other specifications, see Cat. No. EP1144-0.

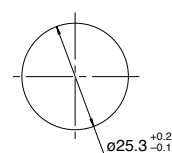
Dimensions



Bottom View



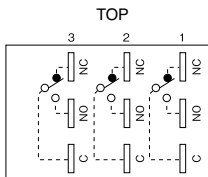
• Mounting Hole Layout



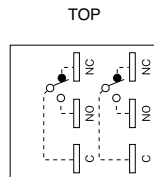
- Mounting centers
 - Vertical: 28 mm minimum
 - Horizontal: 33 mm minimum
- Note: Determine the mounting centers to ensure ease of operation.

Terminal Arrangement (Bottom View)

- Solder/Tab Terminal
- PC Board Terminal



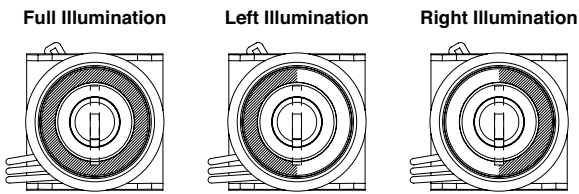
- Screw Terminal



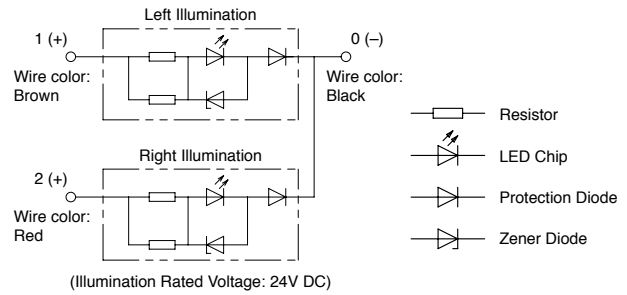
Note: SPDT has C, NO, and NC only in the center. DPDT has C, NO, and NC only on the right and left. Screw terminal type is only available in DPDT configuration.

LW Silhouette Illuminated Key Selector Switches

Illumination

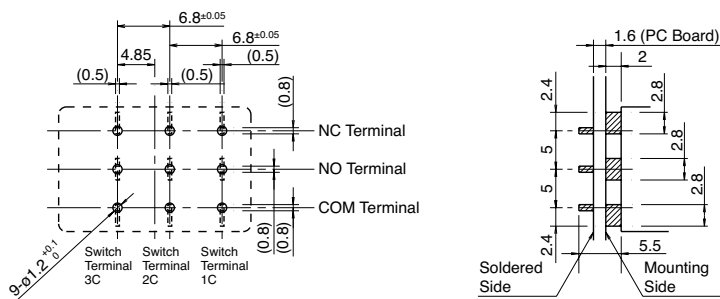


• Internal Circuit




PC Board Drilling Layout (Bottom View)

Note the pattern of the PC board as the terminals on the mounting surface are 2.8 mm wide.





All dimensions in mm.

Replacement Parts



Shape	Material	Part No.	Ordering Part No.	Package Quantity	Remarks
	Metal (nickel-plated brass)	LW9Z-SK-500	LW9Z-SK-500PN2	2	Standard key
		LW9Z-SK-□	LW9Z-SK-□PN02		Specify a key number 501 to 515 in place of □ in the Part No.

Round Pushbuttons with Round Bezel Guard

Shape	Operation Type	Contact Material	Contact	Ordering Part No.			② Button Color Code
				Solder/Tab Terminal	PC Board Terminal	Screw Terminal	
Round Flush With Round Guard Black Plastic Bezel LW6GB-M1 LW6GB-A1  	Momentary	Gold	SPDT	LW6GB-M1C1②	LW6GB-M1C1V②	—	LA: amber LB: black LG: green LR: red LS: blue LW: white LY: yellow
			DPDT	LW6GB-M1C2②	LW6GB-M1C2V②	LW6GB-M1C2M②	
			3PDT	LW6GB-M1C3②	LW6GB-M1C3V②	—	
		Silver	SPDT	LW6GB-M1C5②	—	—	
			DPDT	LW6GB-M1C6②	—	LW6GB-M1C6M②	
			3PDT	LW6GB-M1C7②	—	—	
	Maintained	Gold	SPDT	LW6GB-A1C1②	LW6GB-A1C1V②	—	
			DPDT	LW6GB-A1C2②	LW6GB-A1C2V②	LW6GB-A1C2M②	
			3PDT	LW6GB-A1C3②	LW6GB-A1C3V②	—	
		Silver	SPDT	LW6GB-A1C5②	—	—	
			DPDT	LW6GB-A1C6②	—	LW6GB-A1C6M②	
			3PDT	LW6GB-A1C7②	—	—	

• Lenses for illuminated pushbuttons are used for Flush Silhouette pushbuttons.

Round Illuminated Pushbuttons with Round Bezel Guard

Shape	Lamp	Operation	Contact Material	Contact	Ordering Part No.			② Color Code	③ Operating Voltage Code
					Solder Terminal	PC Board Terminal	Screw Terminal		
Round Flush With Round Guard Black Plastic Bezel LW6GL-M1 LW6GL-A1  	LED	Momentary	Gold	SPDT	LW6GL-M1C1③②	LW6GL-M1C1③V②	—	A: amber G: green R: red S: blue W: white Y: yellow	2: 6V AC/DC 3: 12V AC/DC 4: 24V AC/DC 5: 120V AC 6: 240V AC
				DPDT	LW6GL-M1C2③②	LW6GL-M1C2③V②	LW6GL-M1C2③M②		
				3PDT	LW6GL-M1C3③②	LW6GL-M1C3③V②	—		
			Silver	SPDT	LW6GL-M1C5③②	—	—		
				DPDT	LW6GL-M1C6③②	—	LW6GL-M1C6③M②		
				3PDT	LW6GL-M1C7③②	—	—		
		Maintained	Gold	SPDT	LW6GL-A1C1③②	LW6GL-A1C1③V②	—		
				DPDT	LW6GL-A1C2③②	LW6GL-A1C2③V②	LW6GL-A1C2③M②		
				3PDT	LW6GL-A1C3③②	LW6GL-A1C3③V②	—		
			Silver	SPDT	LW6GL-A1C5③②	—	—		
				DPDT	LW6GL-A1C6③②	—	LW6GL-A1C6③M②		
				3PDT	LW6GL-A1C7③②	—	—		

Contact Ratings

• Gold Contacts (switch base: blue)

Maximum Voltage	250V	
Thermal Current	3A	
Operating Voltage	30V DC	125V AC
Operating Current (resistive load)	0.1A	0.1A
Contact Material	Gold-clad silver	

Minimum applicable load (reference value) = 5V AC/DC, 1 mA
 (Applicable range is subject to the operating condition and load.)

• Silver Contacts (switch base: gray)

Operating Voltage		30V	125V	250V	
Operating Current	AC 50/60Hz	Resistive Load	—	3A	2A
		Inductive Load	—	2A	1.5A
	DC	Resistive Load	2A	0.4A	—
		Inductive Load	1A	0.2A	—
Thermal Current		5A			
Contact Material		Silver			

AC inductive load: PF = 0.6 to 0.7
 DC inductive load: L/R = 7 ms max.

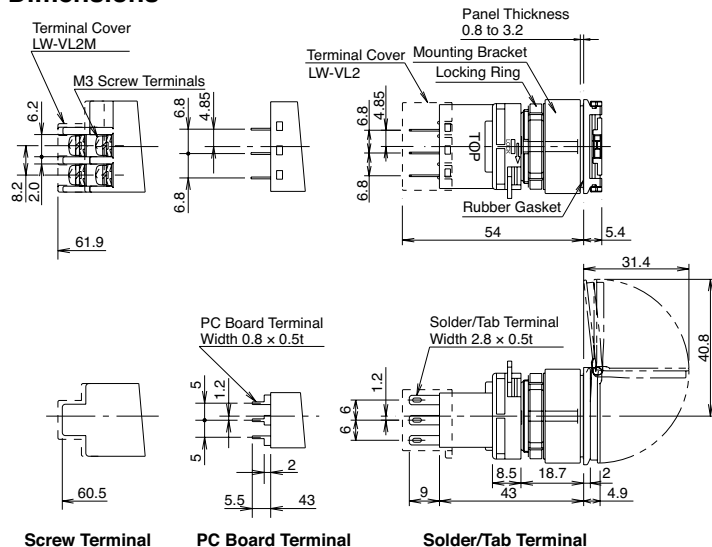
Specifications

Operating Temperature	-25 to +60°C (no freezing) Illuminated units: -25 to +50°C	
Storage Temperature	-40 to +80°C	
Operating Humidity	45 to 85% RH (no condensation)	
Contact Resistance	50 mΩ maximum (initial value)	
Insulation Resistance	100 MΩ minimum (500V DC megger)	
Dielectric Strength	Switch Unit	Between live part and ground: 2,500V AC, 1 minute Between terminals of different poles: 2,500V AC, 1 minute Between terminals of the same poles: 1,000V AC, 1 minute
	Illumination Unit	Between live part and ground: 2500V AC, 1 minute
Vibration Resistance	Operating extremes: 5 to 55 Hz, amplitude 0.5 mm	
Shock Resistance	Damage limits: 1,000 m/s ² (100G) Operating extremes: 100 m/s ² (10G)	
Mechanical Life (minimum operations)	Momentary: 1,000,000 Maintained: 500,000	
Electrical Life (minimum operations)	Momentary: 100,000 (Switching frequency 1,800 operations/h) Maintained: 100,000 (Switching frequency 900 operations/h)	
Degree of Protection	IP65 (IEC 60529)	
Terminal Style	Solder/tab terminal #110 PC board terminal Screw terminal	

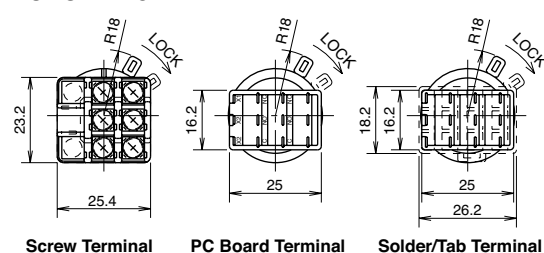
LW Silhouette Pushbuttons

Round Pushbuttons with Round Bezel Guard

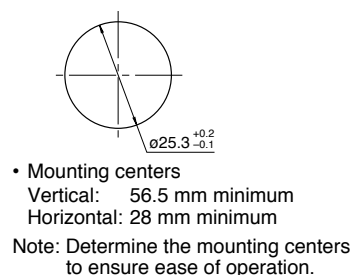
Dimensions



Bottom View

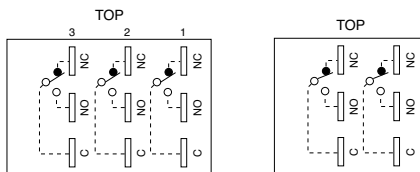


Mounting Hole Layout



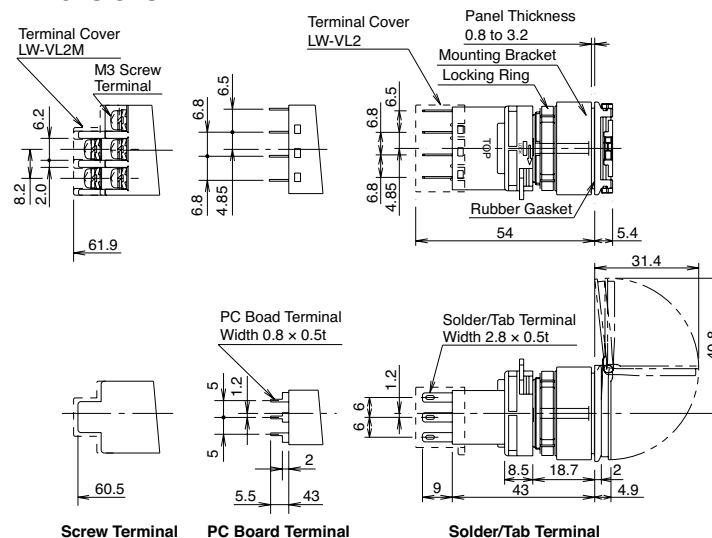
Terminal Arrangement (Bottom View)

- Solder/Tab Terminal
- PC Board Terminal
- Screw Terminal

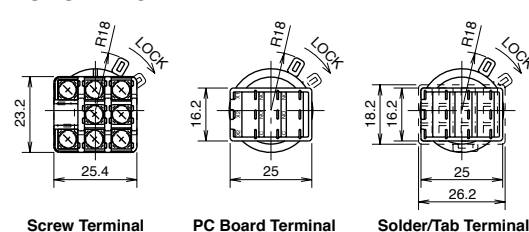


Round Illuminated Pushbuttons with Round Bezel Guard

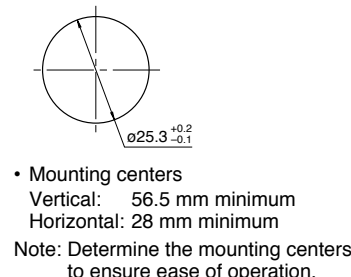
Dimensions



Bottom View

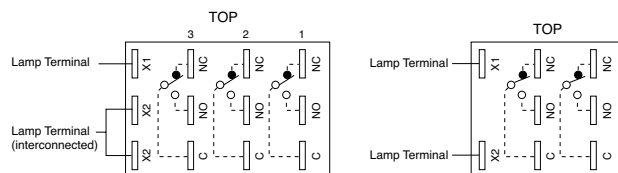


Mounting Hole Layout



Terminal Arrangement (Bottom View)

- Solder/Tab Terminal
- PC Board Terminal
- Screw Terminal



LW Silhouette Switches



**Flush bezel projects only 2 mm from front of panel
 ø28 round and 28-mm square black plastic bezels. Round metallic bezels are also available.**

- ø25.3-mm round panel cut-out, 24.5-mm square panel cut-out.
- Collective mounting is possible.
- Pushbuttons, pilot lights, illuminated pushbuttons, selector switches, key selector switches, and illuminated selector switches are available. Square pushbuttons also available with switchguards.
- Key selector switches with high-security lock mechanism.
- Over 60 different key variations available to choose from.
- Separate type control units with a locking lever enable easy installation even when mounted collectively.
- Gold (gold-clad silver) or silver contacts.
- Degree of protection: IP65 (IEC 60529)
- UL recognized and CSA certified. EN compliant.

Contact Ratings

• Gold Contacts (switch base: blue)

Maximum Voltage	250V	
Thermal Current	3A	
Operating Voltage	30V DC	125V AC
Operating Current (resistive load)	0.1A	0.1A
Contact Material	Gold-clad silver	

Minimum applicable load (reference value) = 5V AC/DC, 1 mA
 (Applicable range is subject to the operating condition and load.)

• Silver Contacts (switch base: gray)

Operating Voltage		30V	125V	250V	
Operating Current	AC 50/60Hz	Resistive Load	—	3A	2A
		Inductive Load	—	2A	1.5A
	DC	Resistive Load	2A	0.4A	—
Inductive Load		1A	0.2A	—	
Thermal Current			5A		
Contact Material			Silver		

AC inductive load: PF = 0.6 to 0.7
 DC inductive load: L/R = 7 ms max.

Specifications and other descriptions in this catalog are subject to change without notice.



IDEC CORPORATION

7-31, Nishi-Miyahara 1-Chome, Yodogawa-ku, Osaka 532-8550, Japan
 Tel: +81-6-6398-2571, Fax: +81-6-6392-9731
 E-mail: products@idec.co.jp

IDEC CORPORATION (USA)
 1175 Elko Drive, Sunnyvale, CA 94089-2209, USA
 Tel: +1-408-747-0550 / (800) 262-IDEC (4332)
 Fax: +1-408-744-9055 / (800) 635-6246
 E-mail: opencontact@idec.com

IDEC CANADA LIMITED
 3155 Pepper Mill Court, Unit 4, Mississauga, Ontario, L5L 4X7, Canada
 Tel: +1-905-890-8561, Toll Free: (888) 317-4332
 Fax: +1-905-890-8562
 E-mail: sales@ca.idec.com

IDEC AUSTRALIA PTY. LTD.
 2/3 Macro Court, Rowville, Victoria 3178, Australia
 Tel: +61-3-9763-3244, Toll Free: 1800-68-4332
 Fax: +61-3-9763-3255
 E-mail: sales@au.idec.com

IDEC ELECTRONICS LIMITED
 Unit 2, Beechwood, Chineham Business Park, Basingstoke, Hampshire RG24 8WA, UK
 Tel: +44-1256-321000, Fax: +44-1256-327755
 E-mail: sales@uk.idec.com

IDEC ELEKTROTECHNIK GmbH
 Wendenstrasse 331, 20537 Hamburg, Germany
 Tel: +49-40-25 30 54 - 0, Fax: +49-40-25 30 54 - 24
 E-mail: service@idec.de

IDEC (SHANGHAI) CORPORATION
 Room 608-609, 6F, Gangtai Plaza, No. 700, Yan'an East Road, Shanghai 200001, PRC
 Tel: +86-21-5353-1000, Fax: +86-21-5353-1263
 E-mail: idec@cn.idec.com

IDEC (BEIJING) CORPORATION
 Room 211B, Tower B, The Grand Pacific Building, 8A Guanghua Road, Chaoyang District, Beijing 100026, PRC
 Tel: +86-10-6581-6131, Fax: +86-10-6581-5119

IDEC (SHENZHEN) CORPORATION
 Unit AB-3B2, Tian Xiang Building, Tian'an Cyber Park, Fu Tian District, Shenzhen, Guang Dong 518040, PRC
 Tel: +86-755-8356-2977, Fax: +86-755-8356-2944

IDEC IZUMI (H.K.) CO., LTD.
 Units 11-15, Level 27, Tower 1, Millennium City 1, 388 Kwun Tong Road, Kwun Tong, Kowloon, Hong Kong
 Tel: +852-2803-8989, Fax: +852-2565-0171
 E-mail: info@hk.idec.com

IDEC TAIWAN CORPORATION
 8F-1, No. 79, Hsin Tai Wu Road, Sec. 1, Hsi-Chih, Taipei County, Taiwan
 Tel: +886-2-2698-3929, Fax: +886-2-2698-3931
 E-mail: service@tw.idec.com

IDEC IZUMI ASIA PTE. LTD.
 No. 31, Tannery Lane #05-01, HB Centre 2, Singapore 347788
 Tel: +65-6746-1155, Fax: +65-6844-5995
 E-mail: info@sg.idec.com