

LUMIFA LF1F

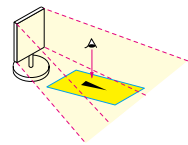
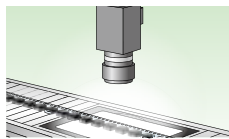
Low Profile LED Illumination

Unlike fluorescent lights, LED lights do not flicker and therefore illuminate objects evenly. Uneven surfaces, such as scratches and flaws, are more visible providing more accurate inspections. The LF1F provides steady light regardless of ambient temperature and the narrow profile saves space allowing mounting flexibility.

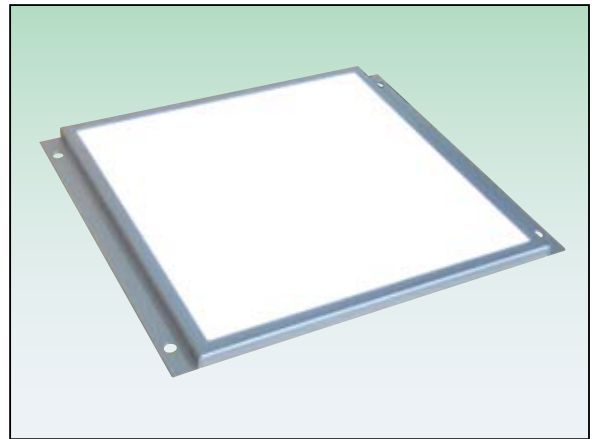
- Energy savings
- Long life
- Maintenance free
- 12mm-thin bezel
- 300mm square illuminated surface
- Wider operating temperature range compared to fluorescent lighting

Visual Inspections

Ideal for visual inspections, as it is easy to see even the slightest surface flaws.



Optical Technique
Surface flaws become visible by projecting light along the planes of the scratches, dust and flaws.



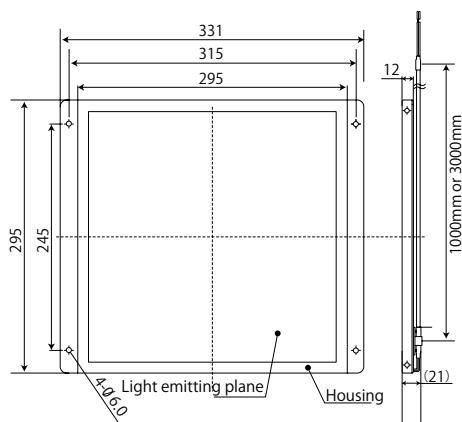
Application Examples

- Detect uneven plastic and rubber part surfaces
- Detect dust on glass or plastic plates
- Illuminate marks on metal surfaces during cutting and marking
- Detect flaws on painted or plated surfaces
- Detect scratches and unevenness on embossed materials
- Detect scratches and foreign materials on silicon wafers
- Elevator illumination

Maintenance-free for Long Term Cost Savings

- **LF1F: approx. 40,000 hours**
- Fluorescent lamps: approx. 12,000 hours

Dimensions



Part Numbers

Model	Cable Length	Size	Color Temp
LF1F-B4-2D1	1 m	□ 300mm	8,500K
LF1F-B4-2D3	3 m	□ 300mm	8,500K

General Specifications

Model	
Operating Voltage Range	21.6 ~ 26.4VDC
Wattage (typ.)	11W
Insulation Resistance	100MΩ minimum
Dielectric Strength	1,000V 50/60Hz 1 minute
Vibration Resistance	5~55Hz, amplitude 0.5mm, 60m/s ² (3 directions, 2 hours each)
Shock Resistance	1,000m/s ²
Operating Temperature	-10° ~ 60°C (no freezing)
Storage Temperature	-20° ~ 70°C (no freezing)
Operating Humidity	45~85% RH (no condensation)
Operating Environment	No corrosive gases, no harmful dust
Operating Life	40,000 hours
Degree of Protection	IP20 (IEC60529)
Main Materials	Housing : Aluminum Cover : acrylic
Approximate Weight	1.1kg

LED Optical Specifications

Color	Daylight Color
Color Temperature (typ.)	8,500K
Luminance for reference (typ.)	5800 lx minimum (panel center)

LUMIFA Low Profile LED Illumination

□ Circuit

