

## Operating instructions

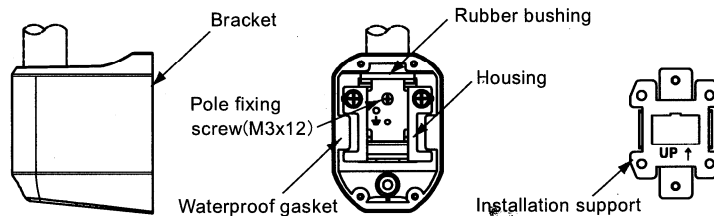
[Model : LT9Z-SZ020]

for  $\phi 21.7$  pole

Thank you for specifying the IDEC Signal Tower for your application. Please read these instructions carefully before you perform installation, maintenance and repair. Store this manual carefully for easy reference. If you have any questions about this product, please contact IDEC Corporation.

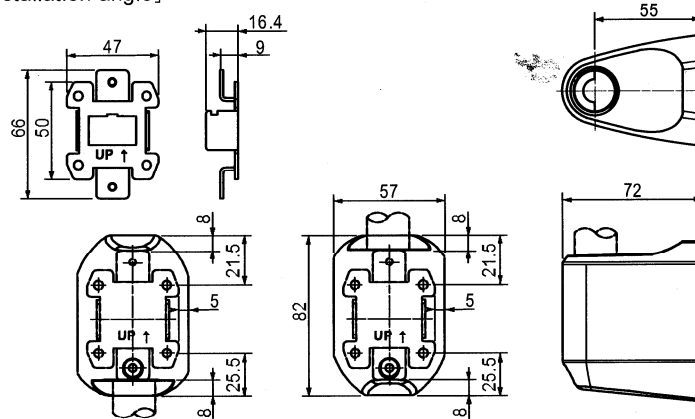
### 1. Parts name and Dimensions(mm)

#### ●Parts name



#### ●Dimensions

[Dimensions of Installation angle]



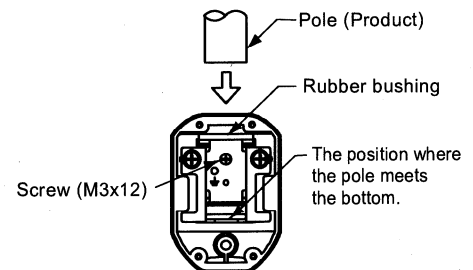
### 2. How to assemble

#### Caution

- When you insert the pole, make sure that the rubber bushing is not deformed. It may cause a malfunction of the waterproof structure.
- When you insert the pole, make sure that lead wires are located between the bracket and the pole.
- Before you touch the conductive part of the lead wires, make sure to discharge any static electricity.

#### ●How to assemble

- ① Loosen the screw for fixing the pole.(See 1.Parts name and Dimensions.)
- ② Insert the pole into the bracket.
- ③ Tighten the screw secure fix the pole.



### 3. Installation

#### Caution

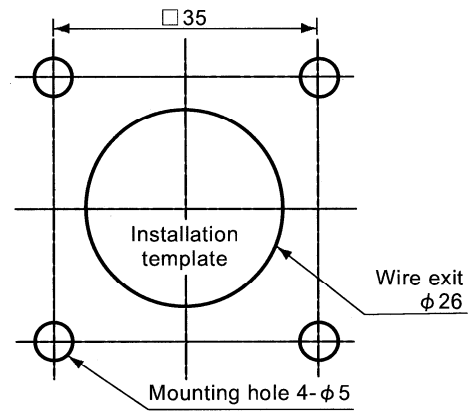
- Install the Signal Tower vertically at a location that has sufficient strength and minimal vibration.
- Use a soft cloth with moisture when the LED unit or bodies must be cleaned.  
(Do not use thinner, benzene, gasoline or oil or any other solvents.)
- When you install this product, do not remove waterproof gasket. It may cause a problem.
- The waterproof capabilities do not apply if the Signal Tower is mounted 180° upside-down.

● Mounting

- Make mounting holes in wall.(See the following installation diagram.)
- Tighten with nuts and bolts.

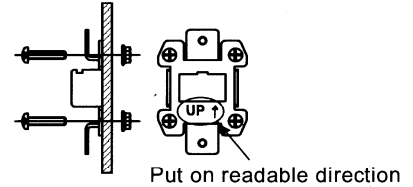
Instruction for this template

1. Check the position of the unit to be mounted.
  2. Secure template with tape.
  3. Make hole positions in the paper with a hole puncher.
  4. Drill holes at the marked Positions.
- ※ Drill holes at the mounting surface after determining the direction of nameplate and wire exit.



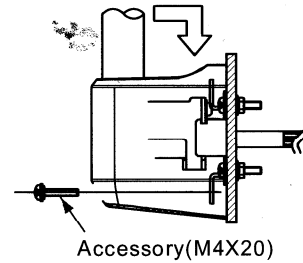
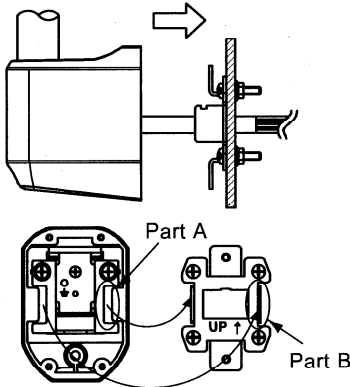
● Mounting(LT9Z-SZ020)

- ① Drill mounting holes in the wall.(Refer to Mounting hole template.)
- ② Install the installation support on the wall with the screws and the nuts attached. Make sure of the direction of UP ↑ mark stamped with the installation support. Install this product at a location that has sufficient strength and minimal vibration.

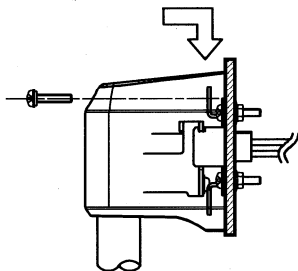


- ③ Protect wires from being cut, by attaching vinyl tube. Install the support perpendicular to the wall. Insert A part of the installation support into B part of the bracket. Let the bracket adhere to the wall. Then, make sure not to catch the lead wires.

- ④ Lower the bracket downwards, pressing the bracket toward the wall.(The installation support is caught on the chassis of the bracket.) Fix firmly by the screw with an o-ring and flat washer supplied.



○The product can be fixed temporarily by rotating it downwards at an angle of 180°.



- Let the Signal tower revolve downwards at angle of 180°.
- This installation is the same as a vertical position with the screw attached.

**Caution**

- IDEC Corporation disclaims all liability for any malfunction or damage occurring as a result of handling contrary to the instructions, cautions and warnings mentioned in this manual.
- Specifications may change without notice due to continual product improvement.

Specifications and other descriptions in this catalog are subject to change without notice.



**IDEC CORPORATION**

**IDEC CORPORATION (USA)**  
1175 Elko Drive, Sunnyvale, CA 94089-2203, USA  
Tel: +1-408-747-0550, Toll Free (800) 262-1DEC, Fax: +1-408-744-9055  
E-mail: opencontact@idec.com

**IDEC CANADA LIMITED**  
Unit 22-151, Brunel Road Mississauga, Ontario, L4Z 1X3, Canada  
Tel: +1-905-890-8561, Toll Free (888) 317-4332, Fax: +1-905-890-8562  
E-mail: sales@cca.idec.com

**IDEC ELECTRONICS LIMITED**  
Unit 2, Beechwood, Chineham Business Park, Basingstoke, Hampshire RG24 8WA, UK  
Tel: +44-1256-321000, Fax: +44-1256-327755  
E-mail: idec@uk.idec.com

**IDEC ELEKTROTECHNIK GmbH**  
Wendenstrasse 331, D-20537 Hamburg, Germany  
Tel: +49-40-25 30 54 10, Fax: +49-40-25 30 54 24  
E-mail: service@idec.de

**IDEC AUSTRALIA PTY. LTD.**  
2/3 Macro Court, Rowville, Victoria 3176, Australia  
Tel: +61-3-9763-3244, Toll Free: 1800-66-4332, Fax: +61-3-9763-3255  
E-mail: sales@au.idec.com

7-31, Nishi-Miyahara 1-Chome, Yodogawa-ku, Osaka 532-8550, Japan  
Tel: +81-6-6398-2571, Fax: +81-6-6392-9731  
E-mail: products@idec.co.jp

**IDEC IZUMI ASIA PTE. LTD.**  
No. 31, Tannery Lane #03-01, Dragon Land Building, Singapore 347788  
Tel: +65-6746-1155, Fax: +65-6844-5995  
E-mail: generalinfo@idecasia.com.sg

**IDEC IZUMI (H.K.) CO., LTD.**  
Unit 1505-07, DCH Commercial Centre No. 25, Westlands Road, Quarry Bay, Hong Kong  
Tel: +852-2905-8988, Fax: +852-2565-0171  
E-mail: idec@idechk.com

**IDEC IZUMI (Shanghai) Co., Ltd.**  
Room E, 15F, Majesty Building, No. 138 Pudong Avenue, Shanghai 200120, P.R.C.  
Tel: +86-21-5887-9191, Fax: +86-21-5887-8930  
E-mail: idec@cn.idec.com

**IDEC TAIWAN CORPORATION**  
8F, No. 79, Hsin Tai Wu Road, Sec. 1, Hsi-Chih, Taipei County, Taiwan  
Tel: +886-2-2698-3929, Fax: +886-2-2698-3931  
E-mail: service@idectwn.com.tw