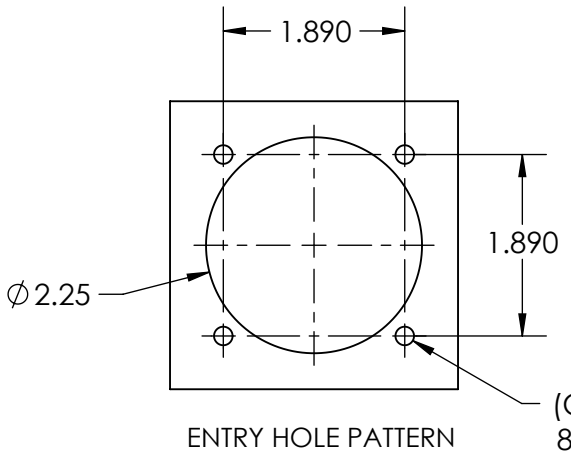
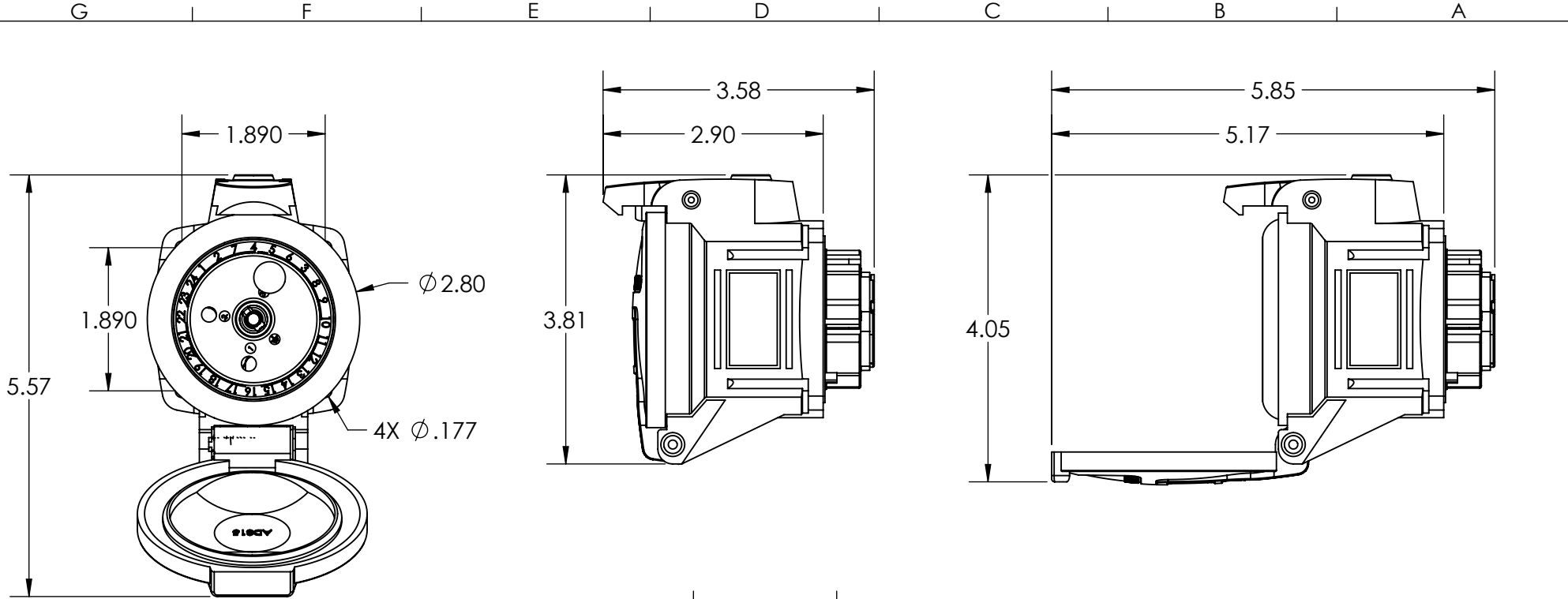
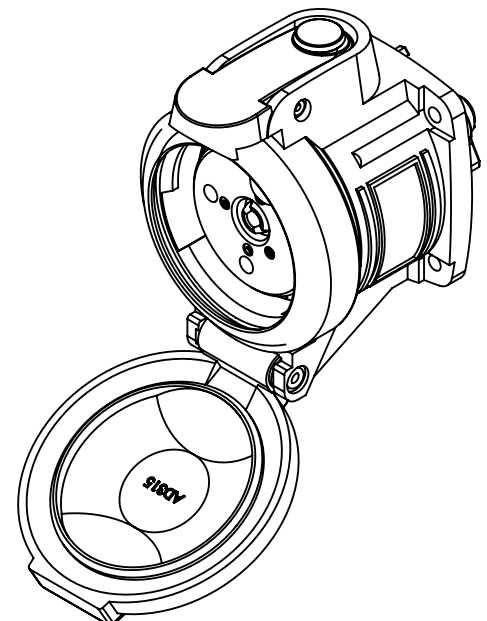
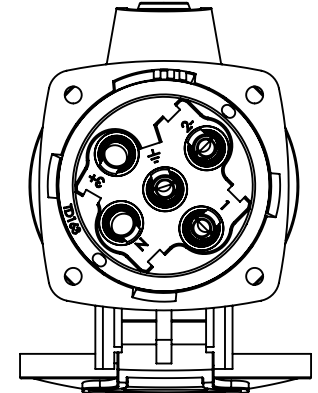


This drawing is the property of MELTRIC Corporation, Franklin (Milwaukee), Wisconsin, USA. Any unauthorized copying of this drawing by any means, ENG/RD/06 REV: 20 ISSUED DATE: 1/15/11 or disclosure of its contents to any person not authorized by MELTRIC Corporation or its agents to receive it, is strictly prohibited.



4X ϕ .194
(CLEARANCE FOR 8-32 HARDWARE)



| | | | | | |
|--|--|-------------------------------|-------------|-------------------------|-----------|
| TOLERANCES UNLESS OTHERWISE SPECIFIED | | | | DRAWING TITLE: | |
| MACHINED SURFACES $\sqrt[125]{\text{MAX}}$ | ENGLISH 0.X ±0.05 0.XX ±0.01 0.XXX ±0.005 | | | DXN30 RECEPTACLE | |
| GROUND SURFACES $\sqrt[32]{\text{MAX}}$ | | ANGLE TOLERANCE $\pm 1^\circ$ | DATE: | SCALE | MATERIAL: |
| REMOVE BURRS & SHARP EDGES TO .015 MAX. | | | NTS | BLACK POLY CASING | |
| DIMENSIONS SHOWN IN OVALS ARE INSPECTION DIMENSIONS. | | SHEET: | PART NUMBER | | REVISION |
| | | 1 OF 1 | 22-34xxx | | |