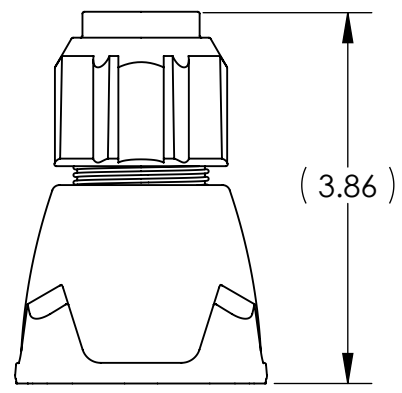
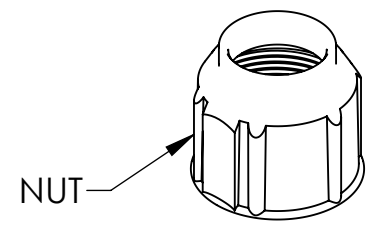
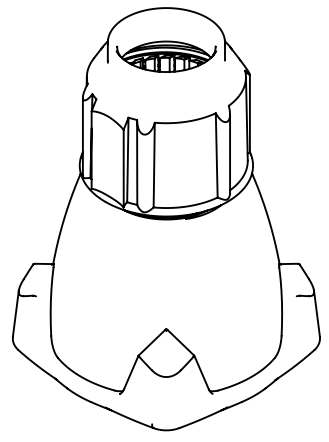
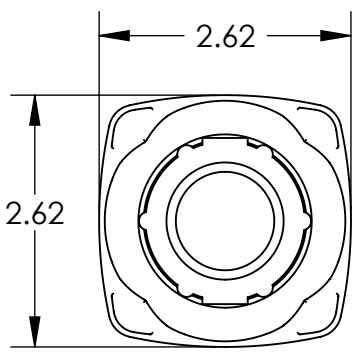


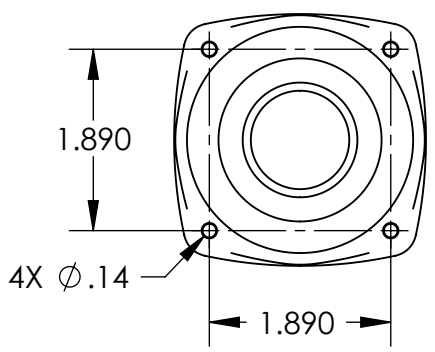
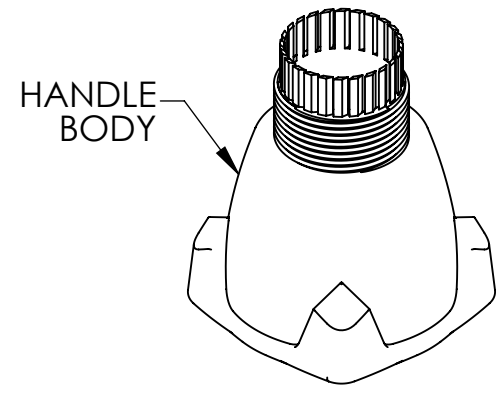
This drawing is the property of MELTRIC Corporation, Franklin (Milwaukee) Wisconsin, USA. Any unauthorized copying of this drawing by any means, ENG/RD/06 REV: 20 ISSUED DATE: 11/15/11 or disclosure of its contents to any person not authorized by MELTRIC Corporation or its agents to receive it, is strictly prohibited.

G F E D C B A

1
2
3
4
5
6



ONION SKIN BUSHING



TOLERANCES UNLESS OTHERWISE SPECIFIED				DRAWING TITLE:	
MACHINED SURFACES $\sqrt{125}$ MAX	ENGLISH 0.X ±0.05 0.XX ±0.01 0.XXX ±0.005			POLY HANDLE	
GROUND SURFACES $\sqrt{32}$ MAX		DATE:	SCALE	MATERIAL:	
ANGLE TOLERANCE ±1° REMOVE BURRS & SHARP EDGES TO .015 MAX.		SHEET:	NTS	BLUE POLY	
DIMENSIONS SHOWN IN OVALS ARE INSPECTION DIMENSIONS.	1 OF 1	PART NUMBER		REVISION	
		FH111			