

## Power and error message module - MACX MCR-PTB - 2865625

Please be informed that the data shown in this PDF Document is generated from our Online Catalog. Please find the complete data in the user's documentation. Our General Terms of Use for Downloads are valid (<http://phoenixcontact.com/download>)



Power and fault signaling module with screw connection, including corresponding ME 17,5 TBUS 1,5/ 5-ST-3,81 GN DIN rail connector

### Product Features

- Simple or redundant supply, decoupled from diode, protected against polarization
- Installation in zone 2 permitted
- Replaceable fuse
- Error message in the event of power supply failure or fuse fault
- Bus cable error message for MACX MCR-...(2)NAM... devices connected via DIN rail connectors
- Relay output (PDT) and flashing LED for error messages
- Supply current up to 3.75 A



### Key Commercial Data

Packing unit	1 pc
Weight per Piece (excluding packing)	160.0 g
Country of origin	Germany

### Technical data

#### Note

Utilization restriction	EMC: class A product, see manufacturer's declaration in the download area
-------------------------	---

#### Dimensions

Width	17.5 mm
Height	99 mm
Depth	114.5 mm

# Power and error message module - MACX MCR-PTB - 2865625

## Technical data

### Ambient conditions

Ambient temperature (operation)	-20 °C ... 60 °C (Any mounting position)
Ambient temperature (storage/transport)	-40 °C ... 80 °C
Maximum altitude	≤ 2000 m
Permissible humidity (operation)	5 % ... 95 % (non-condensing)
Degree of protection	IP20

### Input data

Voltage input signal	19.2 V DC ... 30 V DC (24 V DC -20%...+25%)
Fuse	5 A (replaceable), slow-blow 250 V AC
Polarization and surge protection	Yes

### Output data

Max. current output signal	3.75 A
Output voltage	Input voltage - max 0.8 V at 3.75 A
Output name	Relay
Contact type	1 PDT
Contact material	Gold (Au)
Maximum switching voltage	50 V AC (50 V DC (0.3 A) / 50 V DC (2 A) / 33 V AC (2 A))

### Connection data

Conductor cross section solid min.	0.2 mm <sup>2</sup>
Conductor cross section solid max.	2.5 mm <sup>2</sup>
Conductor cross section flexible min.	0.2 mm <sup>2</sup>
Conductor cross section flexible max.	2.5 mm <sup>2</sup>
Conductor cross section AWG min.	24
Conductor cross section AWG max.	14
Stripping length	7 mm
Screw thread	M3
Connection method	Screw connection
Tightening torque, min	0.5 Nm
Tightening torque max	0.6 Nm

### General

Status display	1 x red LED (error) 2 x green LEDs (PWR1 and PWR2)
Flammability rating according to UL 94	V0
Degree of pollution	2
Overvoltage category	II
Housing material	Polyamide (PA 6.6)

# Power and error message module - MACX MCR-PTB - 2865625

## Technical data

### General

Color	green
Conformance	CE-compliant
ATEX	# II 3 G Ex nA nC IIC T4 Gc X
IECEX	Ex nA nC IIC T4 Gc X
UL, USA / Canada	UL 61010 Listed
	Class I, Div. 2, Groups A, B, C, D T5
	Class I, Zone 2, Group IIC

### Standards and Regulations

Designation	Electromagnetic RF field
Standards/regulations	EN 61000-4-3
Evaluation criterion	A
Standards/regulations	EN 61000-4-4
Designation	Conducted interferences
Standards/regulations	EN 61000-4-6
Evaluation criterion	A
Flammability rating according to UL 94	V0
Conformance	CE-compliant
ATEX	# II 3 G Ex nA nC IIC T4 Gc X
IECEX	Ex nA nC IIC T4 Gc X
UL, USA / Canada	UL 61010 Listed
	Class I, Div. 2, Groups A, B, C, D T5
	Class I, Zone 2, Group IIC

## Classifications

### eCl@ss

eCl@ss 4.0	27210121
eCl@ss 4.1	27210121
eCl@ss 5.0	27210121
eCl@ss 5.1	27210121
eCl@ss 6.0	27210121
eCl@ss 7.0	27210121
eCl@ss 8.0	27242610

### ETIM

ETIM 2.0	EC001431
ETIM 3.0	EC001596

# Power and error message module - MACX MCR-PTB - 2865625

## Classifications

### ETIM

ETIM 4.0	EC001596
ETIM 5.0	EC001600

### UNSPSC

UNSPSC 6.01	30211506
UNSPSC 7.0901	39121008
UNSPSC 11	39121008
UNSPSC 12.01	39121008
UNSPSC 13.2	39121008

## Approvals

### Approvals

---

Approvals

UL Listed / cUL Listed / EAC / cULus Listed

---

Ex Approvals

ATEX / UL Listed / cUL Listed / cULus Listed

---

Approvals submitted

---

### Approval details

UL Listed 
---

cUL Listed 
--

EAC
-----

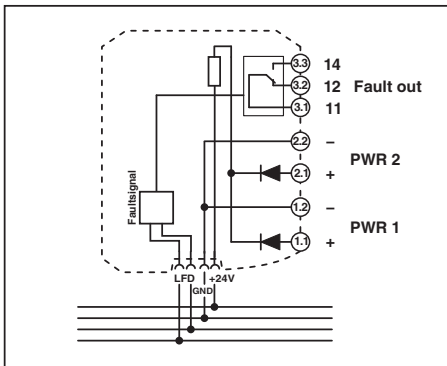
# Power and error message module - MACX MCR-PTB - 2865625

## Approvals



## Drawings

Block diagram



Dimensional drawing

