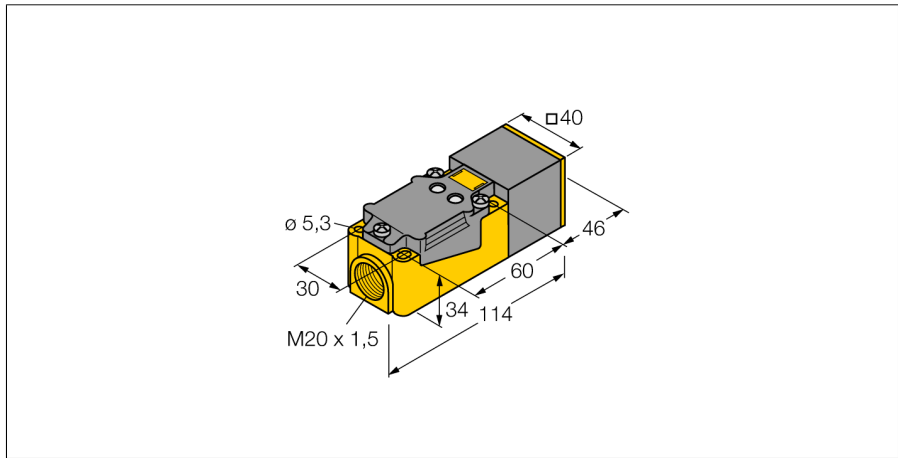


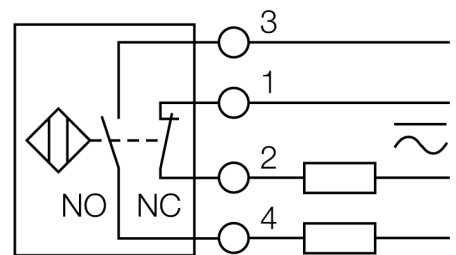
Inductive sensor

BI15-CP40-VDZ3X2/S10



- Rectangular, height 40 mm
- Variable orientation of active face in 9 directions
- Plastic, PBT-GF30-V0
- AC 2-wire, 20...250 VAC
- DC 2-wire, 20...320 VDC
- Normally closed und NO, galvanically isolated
- Terminal chamber

Wiring diagram



Functional principle

Inductive sensors detect metal objects contactless and wear-free. For this purpose they use a high-frequency electromagnetic AC field that interacts with the target. The sensors hosting a ferrite core coil generate the AC field through an LC resonant circuit.

Type	BI15-CP40-VDZ3X2/S10
Ident-No.	42227
Rated operating distance Sn	15 mm
Mounting condition	flush
Assured sensing range	≤ (0,81 x Sn) mm
Correction factors	St37 = 1, V2A ~ 0.7, Ms ~ 0.4, Al ~ 0.3
Repeatability	≤ 2 %
Temperaturdrift	10 %
Hysteresis	3...15 %
Ambient temperature	-25...+70 °C
Operating voltage	20...250 VAC
Operating voltage	20...320VDC
AC rated operational current	≤ 350 mA
DC rated operational current	≤ 350 mA
Frequency	≥ 50...≤ 60 Hz
Residual current	≤ 2 mA
Rated insulation voltage	≤ 1.5 kV
Surge current	≤ 8 A (≤ 10 ms max. 5 Hz)
Short-circuit protection	no
Voltage drop at I _s	≤ 7 V
Wire breakage / Reverse polarity protection	yes/ complete
Output function	4-wire, NO/NC
Smallest operating current I _m	≤ 3 mA
Switching frequency	0.1 kHz
Design	rectangular, CP40
Dimensions	114x 40x 40 mm
Housing material	Plastic, PBT-GF30-V0, black
Connection	Terminal chamber
Clamping ability	≤ 2.5 mm ²
Vibration resistance	55 Hz (1 mm)
Shock resistance	30 g (11 ms)
Protection class	IP67
MTTF	2283years acc. to SN 29500 (Ed. 99) 40 °C
Switching state	2 x LEDs red

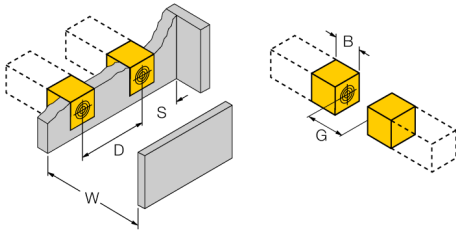
Inductive sensor BI15-CP40-VDZ3X2/S10

TURCK
works

Industrial
Automation

Mounting instructions	minimum distances
Distance D	2 x B
Distance W	3 x Sn
Distance S	1 x B
Distance G	6 x Sn

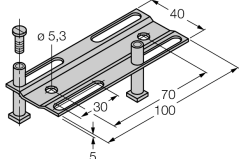
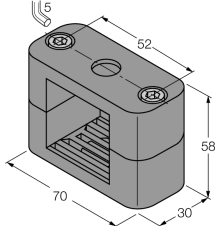
Width of the active face B	40 mm
-----------------------------------	-------



Inductive sensor
BI15-CP40-VDZ3X2/S10



Accessories

Type code	Ident-No.		Dimension drawing
JUSTIERSCHIENE JS 025/037	69429	Mounting rail for rectangular housings CK/CP40; material: VA 1.4301	 
BSS-CP40	6901318	Mounting bracket for rectangular devices; material: Polypropylene	