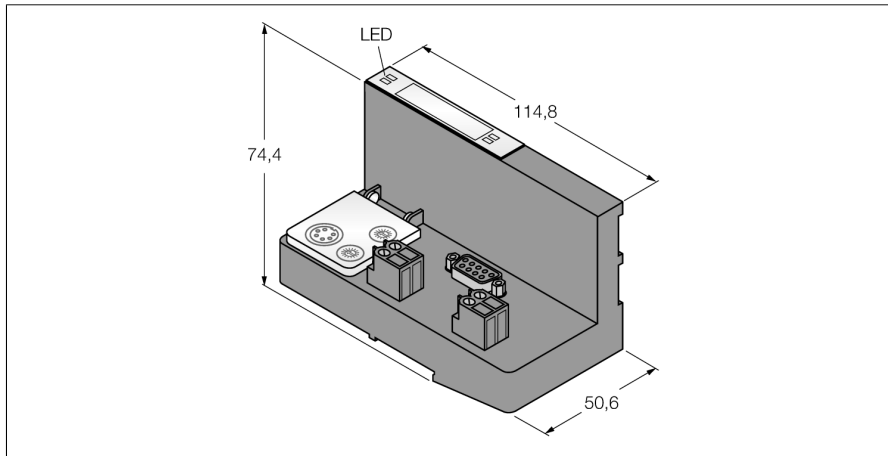


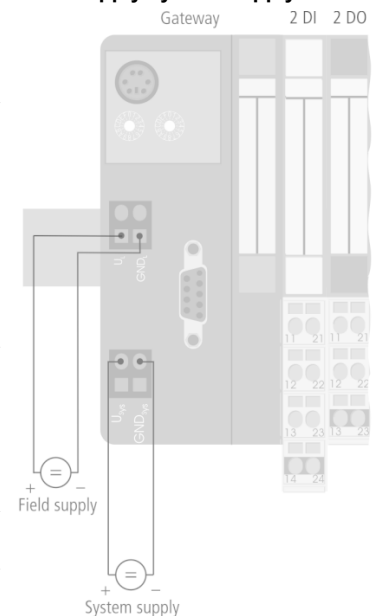
Gateway for BL20 I/O system interface for PROFIBUS-DP incl. supply BL20-GW-DPV1



- Rotary coding switch to adjust the node address
- Protection class IP20
- 2 x end brackets BL20-WEW35/2-SW
- 1 x end plate BL20-ABPL
- Integrated power supply
- LEDs for display of supply voltage, group and bus errors
- Interface between the BL20 system and PROFIBUS-DPV0/DPV1
- 12 Mbps
- Sub-D female, 9-pin

Type	BL20-GW-DPV1
Ident-No.	6827234
Ident-No (TUSA)	M6827234
Supply voltage	24VDC
System power supply	24 VDC / 5 VDC
Field supply	24 VDC
Admissible range	18...30 VDC
Rated current from module bus	≤ 430 mA
Max. field supply current	10 A
Max. system supply current	1.2 A
Voltage supply connection	screw connection
Fieldbus transmission rate	9.6 kbps ... 12 Mbps
Fieldbus addressing	2 rotary switches
Fieldbus addressing range	1...99
Fieldbus connection technology	1 x female sub-D connector
Fieldbus termination	external
Service interface	PS/2 socket for I/O-ASSISTANT
Number of diagnostics bytes	3
Number of parameter bytes	5
Dimensions (W x L x H)	50.6x114.8x74.4mm
Approvals	CE, cULus, zone2, ClassI, div.2.
Operating temperature	0 to +55 °C
Storage temperature	-25 ... +85 °C
Relative humidity	5 to 95% (internal), Level RH-2, no condensation (at 45 °C storage)
Vibration test	acc. to EN 61131
Shock test	acc. to IEC 68-2-27
Drop and topple	acc. to IEC 68-2-31 and free fall to IEC 68-2-32
Electro-magnetic compatibility	acc. to EN 50,082-2
Protection class	IP20
Included in scope of supply	2 x end brackets BL20-WEW-35/2-SW, 1 x end plate BL20-ABPL

Field supply/system supply



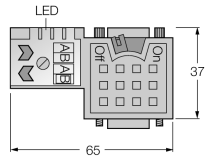
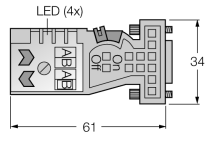
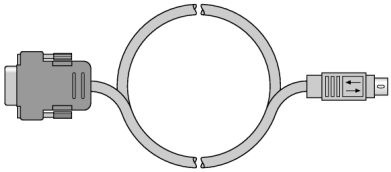
Functional principle

BL20 gateways are the head component of a BL20 station. They are designed to interface the modular fieldbus nodes to the higher level fieldbus (PROFIBUS-DP, DeviceNet, CANopen, Ethernet).

All BL20 electronic modules communicate over the internal module bus, the data of which is transferred to the fieldbus via the gateway, so that all I/O modules can be configured independently of the bus system.

**Gateway for BL20 I/O system
interface for PROFIBUS-DP incl. supply
BL20-GW-DPV1**

Wiring accessories

Type code	Ident-No.		Dimension drawing
FW-D9TLEDKU9PG-W-FC-ME-SH-8,5	6604220	9-pole Sub-D - connector for PROFIBUS-DP, all-metal, 90°	
FW-D9TLEDKU9XX-G-FC-ME-SH-8,5	6604221	9-pole Sub-D - connector for PROFIBUS-DP, all-metal, 0°	
I/O-ASSISTANT-KABEL-BL20/BL67	6827133	RS232 adapter cable for the BL67/BL20 service interface	
BS3511/KLBUE4-31.5	6827342	Shield terminal and strain relief for bus cable	