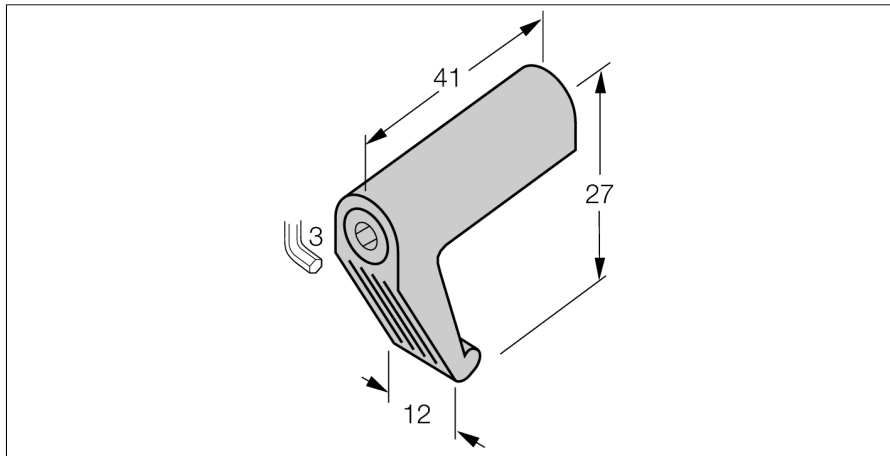


Mounting accessories for tie-rod cylinders KLI 3 KLEMMSTÜCK



Mounting accessories for magnetic-inductive sensors for mounting on tie-rod cylinders with diameters of 63...160 mm, die-cast zinc

General description

The sensor programme comprises inductive, magnetic-inductive, capacitive, photoelectric and ultrasonic sensors as well as pressure and flow controls.

A broad range of practice-oriented accessories ensure optimal adaption to your system.

Type code	KLI 3 KLEMMSTÜCK
Ident-No.	69712
Ident-No (TUSA)	M6971200
Design	accessories for rectangular types, IKE, IKT, IKM
Dimensions	41x 27x 12 mm
Housing material	metal, GD-Zn
Fixing clamp for correspondent cylinder diameter	63 ... 160 mm
Clamping width min.	6 mm
Max.clamp width	16 mm

