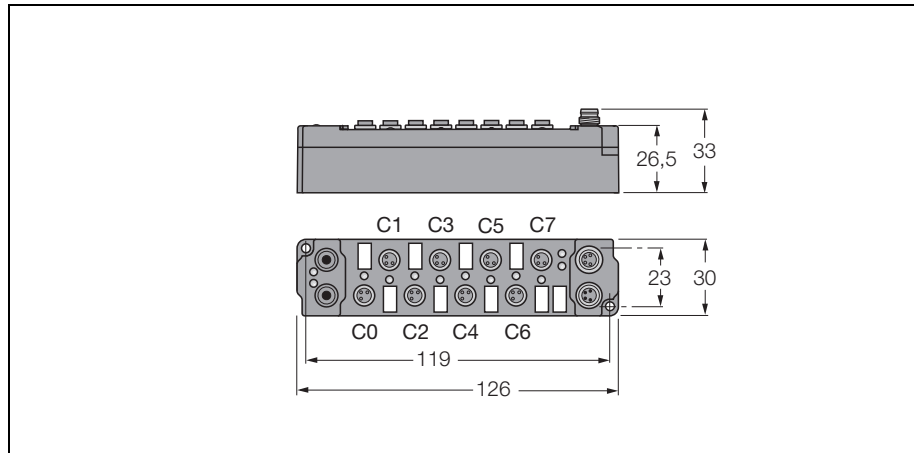
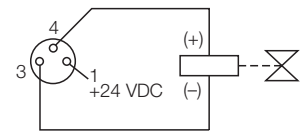


**piconet extension module for IP link**
**SNNE-0008D-0006**


- direct connection to the IP link
  - encapsulated plastic housing
  - degree of protection IP67
  - I/O connection 8 x M8 (3-pole)
  - power connection 2 x M8 (IN/OUT)
  - 8 digital outputs, 24 V DC, 0.5 A
- fieldbus**



|                                    |   |
|------------------------------------|---|
| <b>Type</b>                        | SNNE-0008D-0006                                 |
| Ident-No.                          | 6824185   |
| <b>Operating/load voltage</b>      | 24 (±15 %) VDC                                  |
| Operating current                  | ≤25 mA  |
| <b>Power connection technology</b> | 2 x M8  |
| <b>Outputs</b>                     |   |
| Number of channels                 | 8 digitale Ausgänge gemäß EN 61131-2            |
| Output voltage                     | 24 VDC aus Lastspannung                         |
| Output current per channel         | 0.5 A   |
| Load type                          | ohmsch, induktiv, Lampenlast                    |
| Switching frequency                | ≤ 500 Hz  |
| Load factor                        | 1   |
| Connection technology              | 8 x M8  |
| <b>LEDs</b>                        |   |
| Module                             | grün/rot - betriebsbereit/Modul-, IP-Linkfehler |
| Outputs                            | grün/aus - geschaltet/ungeschaltet              |
| <b>Fibre optic length</b>          | = 15 m  |
| <b>Dimensions</b>                  | 30 x 126 x 26.5 mm                              |
| Operating temperature              | 0 bis 55 °C                                     |
| Storage temperature                | -25 bis 85 °C                                   |
| Vibration check                    | gemäß DIN EN 60068-2/2-27                       |
| Shock testing                      | gemäß DIN EN 60068-2/2-27                       |
| Electromagnetic compatibility      | gemäß DIN EN 50082-2/EN 50081-2                 |
| Degree of protection               | IP67  |

piconet extension module for IP link

SNNE-0008D-0006

**TURCK**

Industrial  
Automation

Data in process image